

RD3-2850, Bobcat DP to HDMI Converter

PCB# 0680

SCHEMATIC	SHEET
01. Contents, Revision History	1
02. Block Diagram	2
03. MCDP2850	3
04. Regulators & Power	4

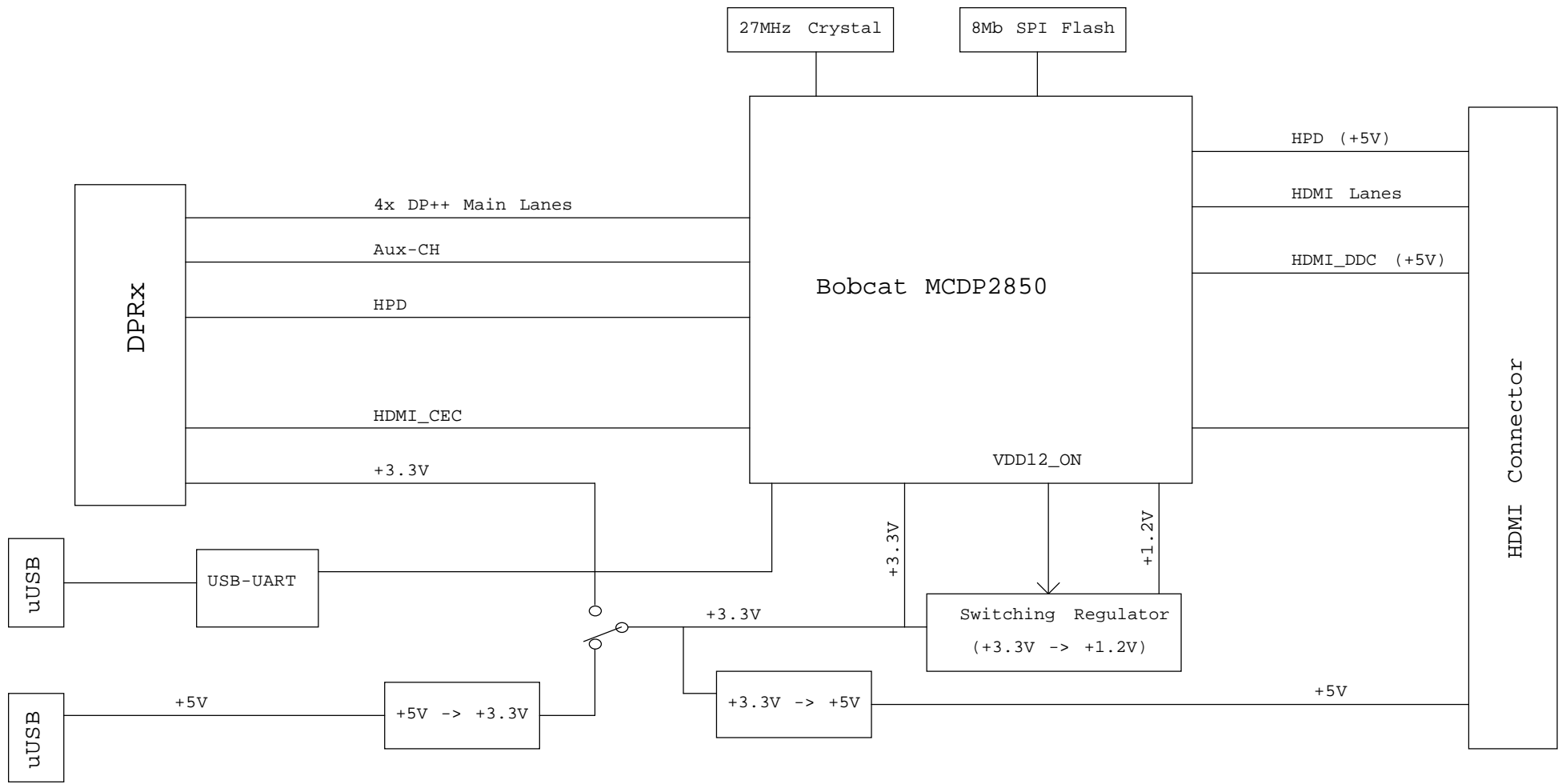
Revision History

Date	Author	Version	Comments
4/22/2015	P Edwards	Rev. A	Preliminary release.
9/15/2015	H. Takeuchi	Rev. B	Correction of +1V2_AVDD connection (Added +1V2_AVDD node on pin2 of FB3).
2/24/2016	H. Takeuchi	Rev. D	R18 was 100K , now "DO NOT PLACE". MCDP Number was 28X0, now 2850.

MegaChips

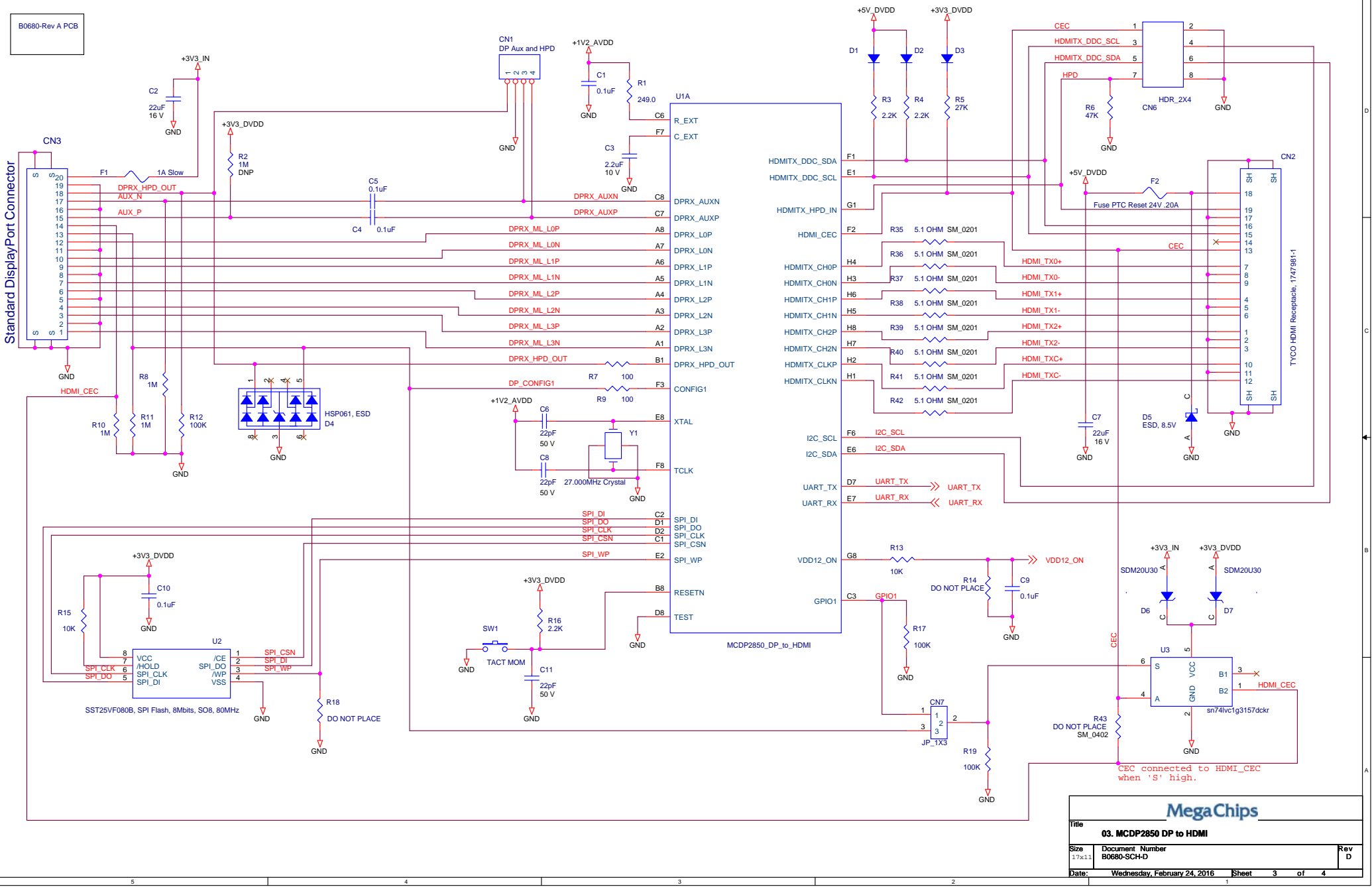
Title	
01. Contents	
Size B	Document Number B0680-SCH-D
Date:	Wednesday, February 24, 2016
Sheet	1 of 4
Rev	D

Reference Circuit for DP to HDMI Converter



MegaChips		
Title		
02. Block Diagram		
Size	Document Number	Rev
B	B0680-SCH-D	D
Date:	Wednesday, February 24, 2016	Sheet 2 of 4

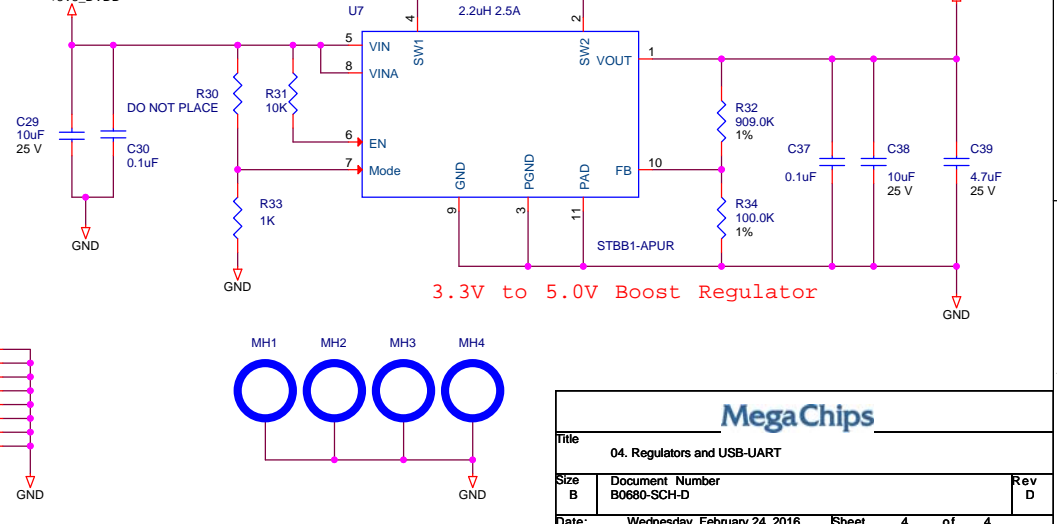
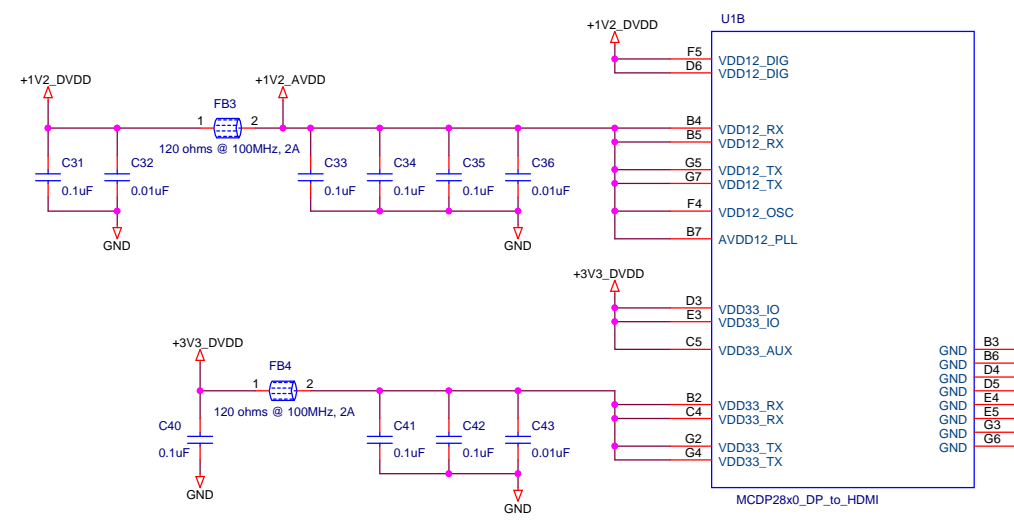
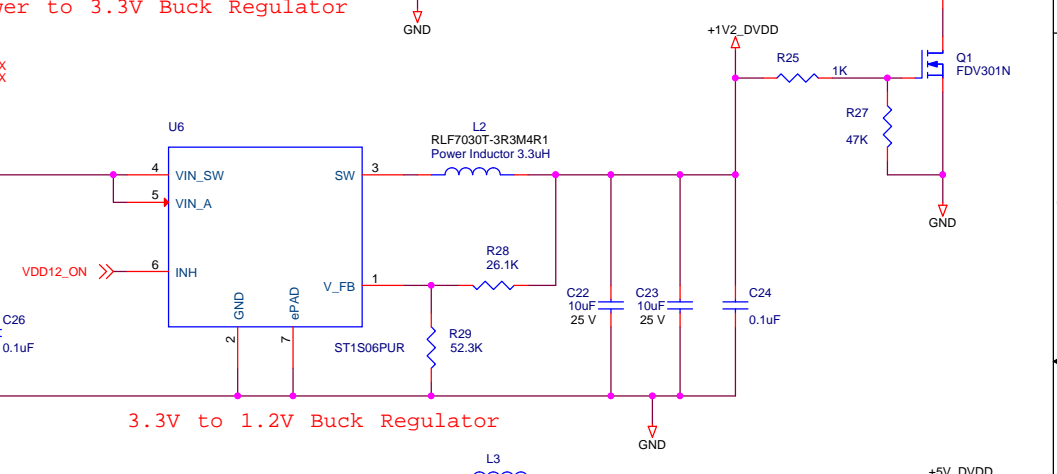
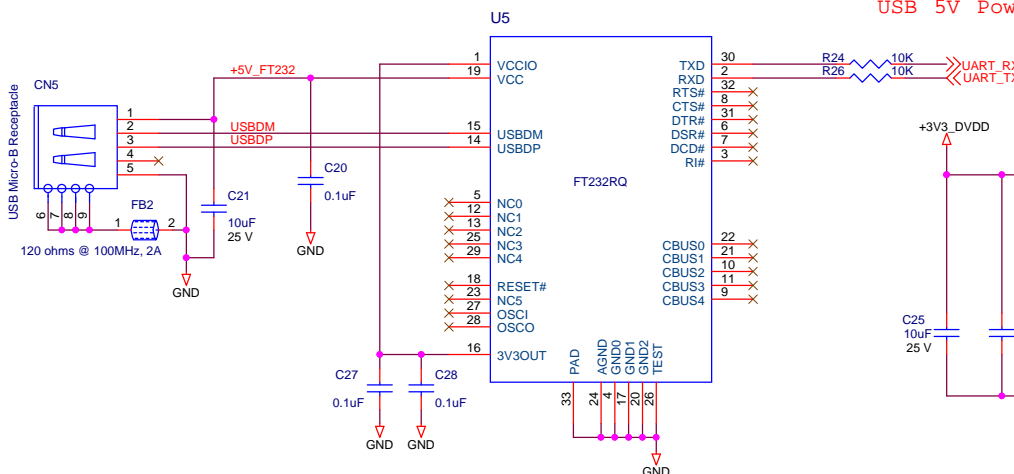
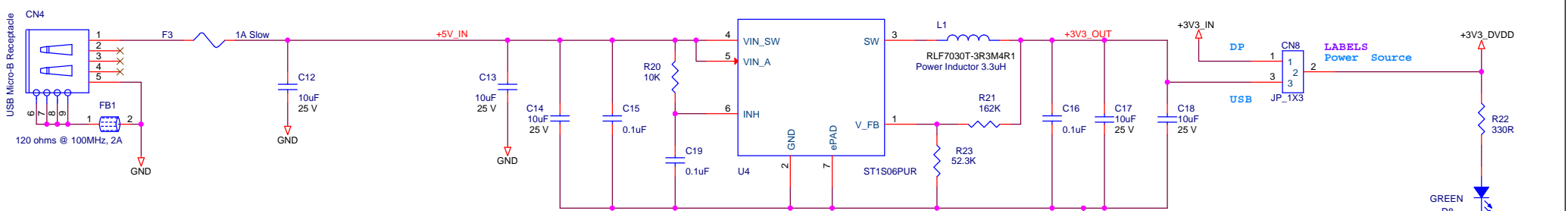
Standard DisplayPort Connector



MegaChips

Title		
03. MCDP2850 DP to HDMI		
Size	Document Number	Rev
17x11	B0680-SCH-D	D
Date:	Wednesday, February 24, 2016	Sheet 3 of 4

CEC connected to HDMI_CEC when 'S' high.



MegaChips		
Title: 04. Regulators and USB-UART		
Size B	Document Number: B0680-SCH-D	Rev D
Date: Wednesday, February 24, 2016	Sheet 4 of 4	