




SPECIFICATION SHEET

| | |
|--------------------------------|---|
| SPECIFICATION SHEET NO. | N0216-RC125M0000S300 |
| DATE | Feb. 16, 2021 |
| REVISION | A0 |
| DESCRIPTION | SMD Oscillator, 0705 Type, L7.0*W5.0*H1.50mm, 4 Pads, COM75 series 125.0000MHz, 3.3V, +/-50ppm, Symmetry 45/55, Operating Temp. Range -40°C ~+85°C, Reflow Profile Condition 260 °C Max. HCMOS//15pF, Supply Current 70mA Max. Tristate via Pad 1, Tape/Reel, RoHS/RoHS III compliant |
| CUSTOMER | |
| CUSTOMER PART NUMBER | |
| CROSS REF. PART NUMBER | |
| ORIGINAL PART NUMBER | TGS COM7531BGI03 TLF-125M00 |
| PART CODE | RC125M0000S300 |

| | | | |
|-------------------------|---|--|---|
| VENDOR APPROVE | | | |
| Issued/Checked/Approved |  |  |  |
| DATE: Feb. 16, 2021 | | | |

| | |
|-------------------------|--|
| CUSTOMER APPROVE | |
| | |
| DATE: | |

MHZ SMD OSCILLATOR 0705 TYPE 4 PADS

MAIN FEATURE

- SMD Package, Seam Sealed, 0705 Type, L7.0*W5.0*H1.50mm, 4 Pads,
- Low noise and Low current
- Industry standard
- Reflow Profile Condition 260 °C Max.
- Cross more competitors part
- RoHS/RoHS III compliant



APPLICATION

- PDA, PND, DSC, Smart phone, WiLAN, Bluetooth and more
- Communication Electronics

RFQ
[Request For Quotation](#)

PART CODE GUIDE

| | | | |
|-----------|-----------------|----------|------------|
| RC | 125M0000 | S | 300 |
| 1 | 2 | 3 | 4 |

- 1) RC: Part family Code for SMD Oscillator, 0705 Type, L7.0*W5.0*H1.50mm, 4 Pads, COM75 series
- 2) 125M0000: Frequency range code for 125.00000MHz
- 3) S: SMD type, Package Tape/Reel, 1000pcs/Reel
- 4) 300: Specification code for original part No.: **TGS COM7531BGI03 TLF-125M00**

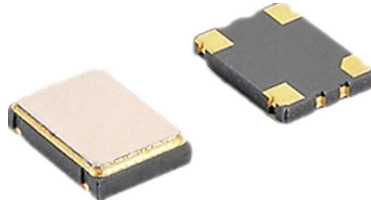
MORE FREQUENCY RANGE AVAILABLE (MHz)

| | | | | | | | | | |
|--------|--------|--------|--------|--------|---------|--------|--------|--------|---------|
| 2.0480 | 20.000 | 24.000 | 25.000 | 27.000 | 40.0000 | 48.000 | 50.000 | 100.00 | 125.000 |
| | | | | | | | | | |
| | | | | | | | | | |
| | | | | | | | | | |
| | | | | | | | | | |
| | | | | | | | | | |
| | | | | | | | | | |

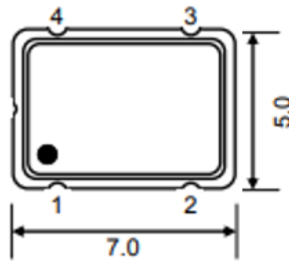
MHZ SMD OSCILLATOR 0705 TYPE 4 PADS

DIMENSION (Unit: mm, Tol. +/-0.15mm)

Image for reference



COM75

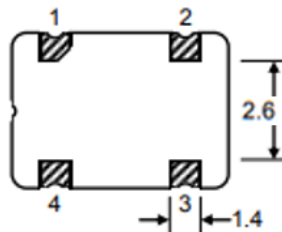


Marking 1

Line 1: Company Code + Supply Voltage
Line 2: Freq. Range + QC Code (A~Z)

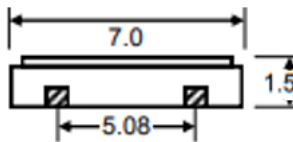
Marking 2

Line 1: Frequency Range

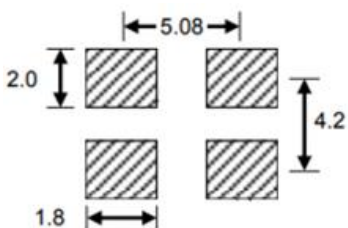


Pin Function

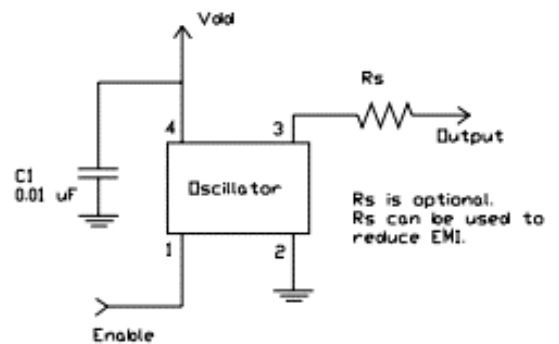
- #1 Enable (Tri-State)
- #2 Ground
- #3 Output
- #4 VDD



Recommend Pad Layout



Circuit Principle



MHZ SMD OSCILLATOR 0705 TYPE 4 PADS
ELECTRICAL PARAMETERS

| Parameter | | Part No. Symbol | Units | Value | | | Condition |
|--------------------------------|--------------------------------|-----------------|--|-----------|---------|---------------------|-----------------------|
| | | | | Min. | Typical | Max. | |
| Original Manufacturer | | TGS | TGS Crystals | | | | |
| Holder Type | | COM75 | SMD Oscillator, 0705 Type, L7.0*W5.0*H1.50mm, 4 Pads | | | | |
| Supply Voltage | | 3 | V | 3.3 | | +/-10% | |
| Enable/Disable Function | | 1 | | Tri-State | | @ Control via pin 1 | |
| Overall Freq. Tolerance | | B | ppm | -50 | | +50 | @25°C |
| Operating Temp. Range | | G | °C | -40 | | +85 | |
| Storage Temp. Range | | | °C | -55 | | +125 | |
| Symmetry | | I | % | 45 | | 55 | |
| Output | V OH | | V | 90% | | | High (Logic "1") |
| | V OL | | V | | | 10% | Low (Logic "0") |
| | Load | | pF | 15 | | | |
| Output Waveform | | 03 | | HCMOS | | | @OutputLoad 15pF |
| Startup Time | | | ms | | | 10 | |
| Supply Current | | | mA | | | 70 | |
| Rise/ Fall time | | | ns | | | 10 | |
| Phase Jitter | | | ps | | | 1.0 | @12KHz~20MHz |
| Aging | | | ppm/year | | | ±3 | @1 st year |
| Others | Package | T | Tape/Reel | | | | |
| | RoHS Status | LF | RoHS III compliant | | | | |
| | Add Value | | N/A | | | | |
| | Internal Control Code * | | N/A | | | | |
| Frequency Range | | -125M00 | 125.0000MHz | | | | |

Note: 1) Original Part Number: **TGS COM7531BGI03 TLF-125M00**

2) * Internal Control Code- 2 letter or digits; Blank: N/A

MHZ SMD OSCILLATOR 0705 TYPE 4 PADS

RELIABILITY

| Test Items | Test Method And Conditions | Reference Documents |
|---|---|---|
| High Temperature High Humidity Storage | Temperature: 85°C±3°C Relative Humidity:85%RH Time: 96 Hours | JIS C5023 |
| High Temperature Storage | Temperature: 125°C±3°C Time: 96 Hours. | MIL-STD-883E Method 1005.8 |
| Low Temperature Storage | Temperature: -40°C±3°C Time: 96 Hours. | MIL-STD-883E Method 1013 |
| Thermal Shock | Temperature 1: -55°C±5°C Temperature 2: 85°C±5 °C Temperature change between T1 and T2 5 min 10cycles maintain T1 and T2 for 30 minutes each cycle | MIL-STD-202F Method 107 Condition A |
| Resistance to Solder Heat | Solder Temperature: 260°C±5°C Time: 10±1 Seconds | MIL-STD-202F Method 210E |
| Solderability | The solder pot temperature is 245±5°C , dwell time 5±0.5sec | J-STD-002B |
| Drop Test | 3 Times Free Fall from 50cm height table to 3cm thickness hard wood board | J-STD-002B |
| Mechanical Shock | Half sine wave,1000 G 3 Times for all 3 directions(X,Y Z) | MIL STD 202F Method 213B |
| Vibration | Frequency Range: 10Hz ~ 55Hz Amplitude: 0.75mm 2 Hours in each direction, total 6 Hours | MIL-STD-883E Method 2007.3 |
| Leakage Test | Take measurements with a helium Leakage detector Leakage Rate≤1×10 ⁻³ Pa cm ³ /s | MIL-STD-883E |

MHZ SMD OSCILLATOR 0705 TYPE 4 PADS

SUGGESTED REFLOW PROFILE (For Reference Only)

Total time: 200 Sec. Max. Solder melting point: 220°C

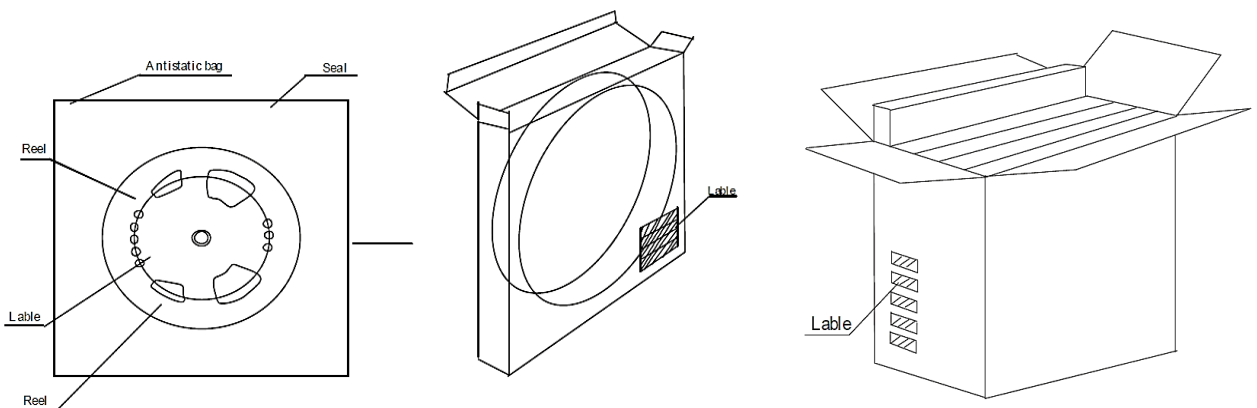
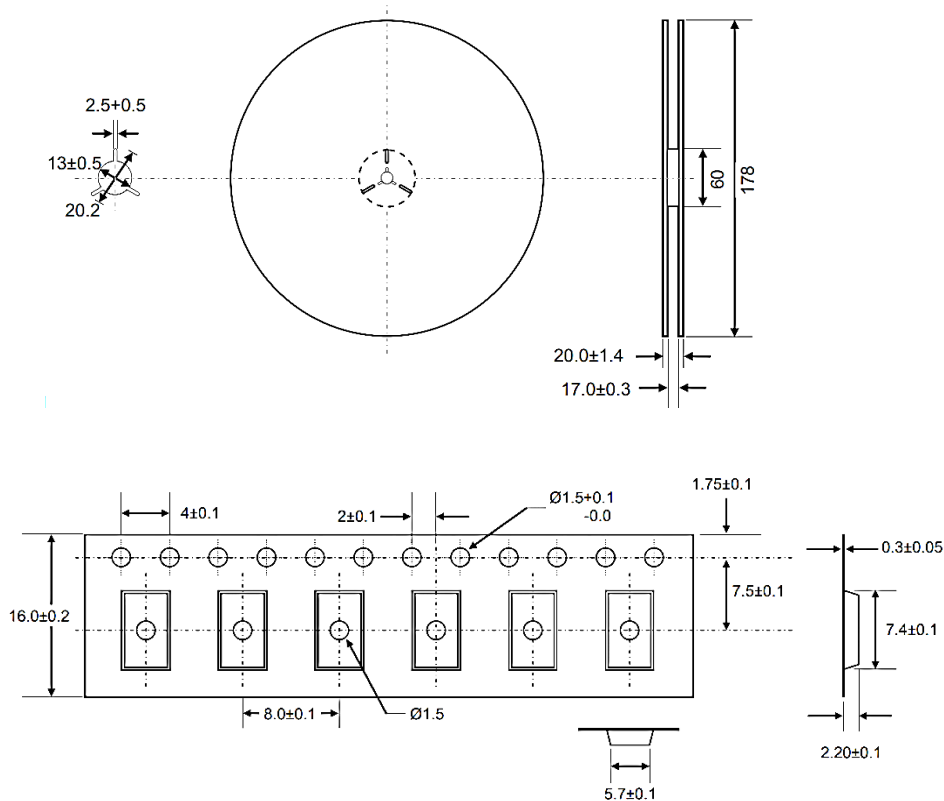


| | | |
|---|------------------------------------|-------------------|
| Profile Feature | | Pb-Free Assembly |
| Average Ramp-up Rate (Ts Max to Tp) | | 3°C/second Max |
| Preheat | Temperature Min (Ts Min.) | 125°C |
| | Temperature Max (Ts Max.) | 200°C |
| | Time (ts Min. to ts Max.) | 60 ~ 180 seconds |
| Time maintained above | Temperature (T_L) | 217°C |
| | Time (t_L) | 60 ~ 150 seconds |
| Peak/Classification Temperature (T_p) | | 260 °C |
| Time within 5°C of actual Peak Temperature (t_p) | | 20 ~ 40 seconds |
| Ramp-down rate | | 6 °C /Second Max. |
| Time 25 °C to Peak Temperature | | 8 minutes Max. |
| Suggest reflow times | | 3 Times Max. |

MHZ SMD OSCILLATOR 0705 TYPE 4 PADS

TAPE/REEL (Unit: mm)

All Devices are packed in accordance with EIA standard RS-481-2 and specifications, 1000pcs/Reel



DISCLAIMER

NextGen Components, Inc. reserves the right to make changes to the product(s) and or information contained herein without notice. No liability is assumed as a result of their use or application. No rights under any patent accompany the sale of any such product(s) or information