

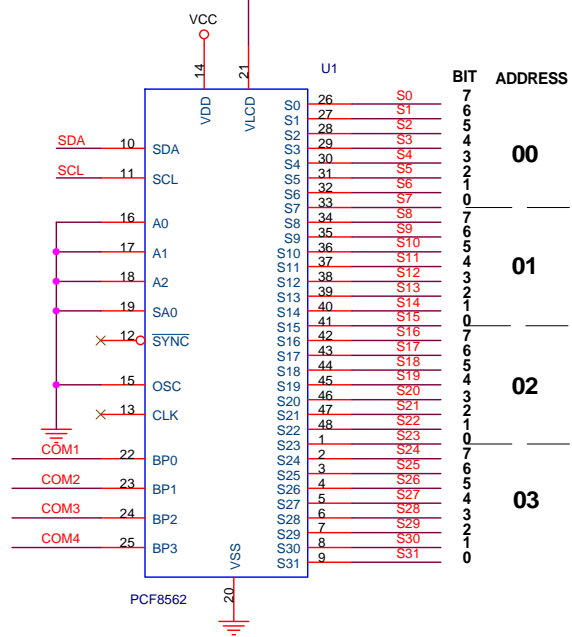
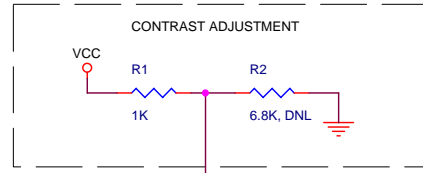
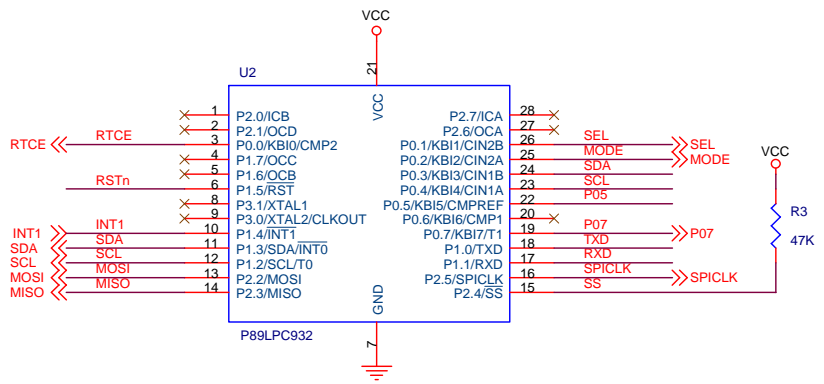
Table of Contents

Page	Description
1	THIS PAGE
2	LCD & LPC932
3	PCF2123/PCF2125 & LM75B

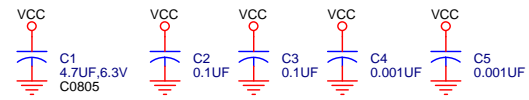
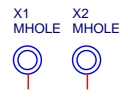
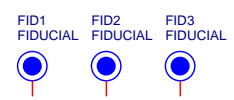
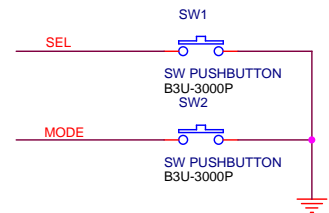
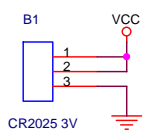
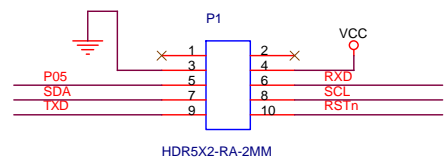
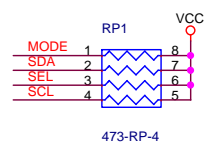
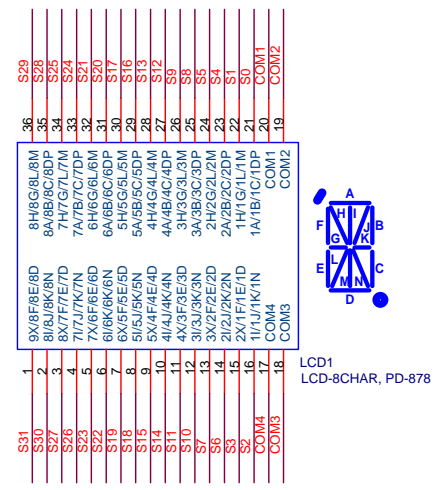
Revision History

REV	Description
1	ORIGINAL BUILD
2	CHANGE TO SW1 AND SW2

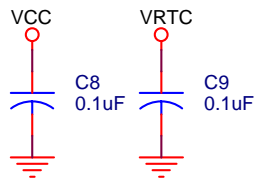
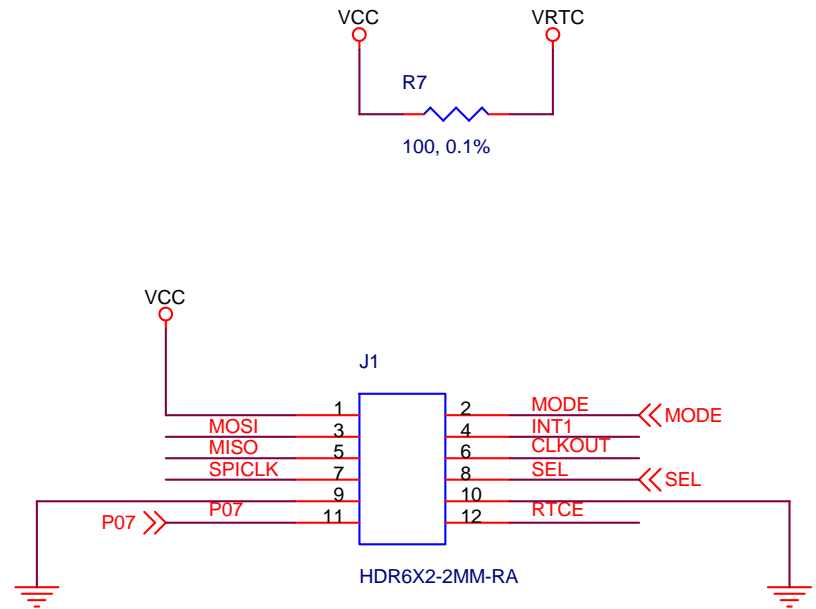
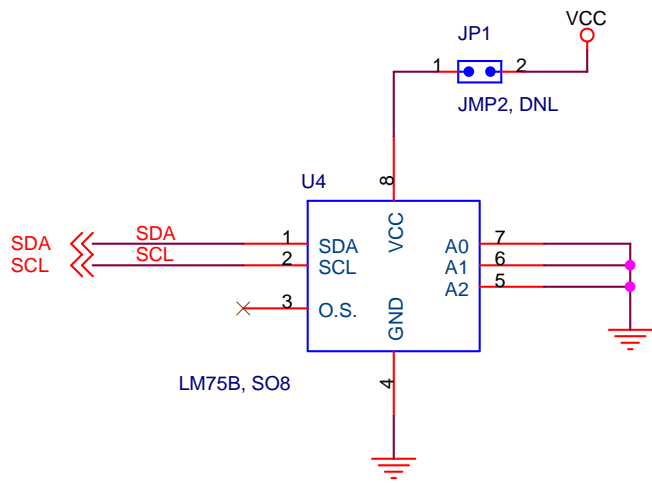
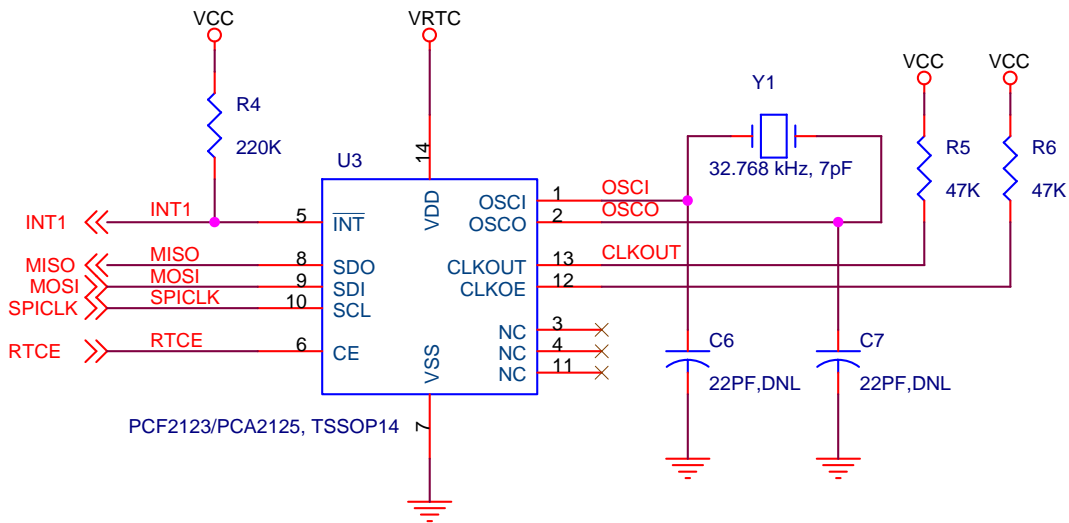
FUTURE DESIGNS, INC.			www.teamfdi.com
Title			
RTC-DEMO-PCF2123			
Size	Document Number		Rev
B			2
Date:	Wednesday, November 19, 2008	Sheet	1 of 3



BIT	ADDRESS
7	00
6	00
5	00
4	00
3	00
2	00
1	00
0	00
7	01
6	01
5	01
4	01
3	01
2	01
1	01
0	01
7	02
6	02
5	02
4	02
3	02
2	02
1	02
0	02
7	03
6	03
5	03
4	03
3	03
2	03
1	03
0	03



FUTURE DESIGNS, INC.		www.teamfdi.com
Title: RTC-DEMO-PCF2123		
Size:	Document Number	Rev 2
Date:	Wednesday, November 19, 2008	Sheet 2 of 3



FUTURE DESIGNS, INC.		www.teamfdi.com
Title RTC-DEMO-PCF2123		
Size	Document Number	Rev 2
Date:	Wednesday, November 19, 2008	Sheet 3 of 3