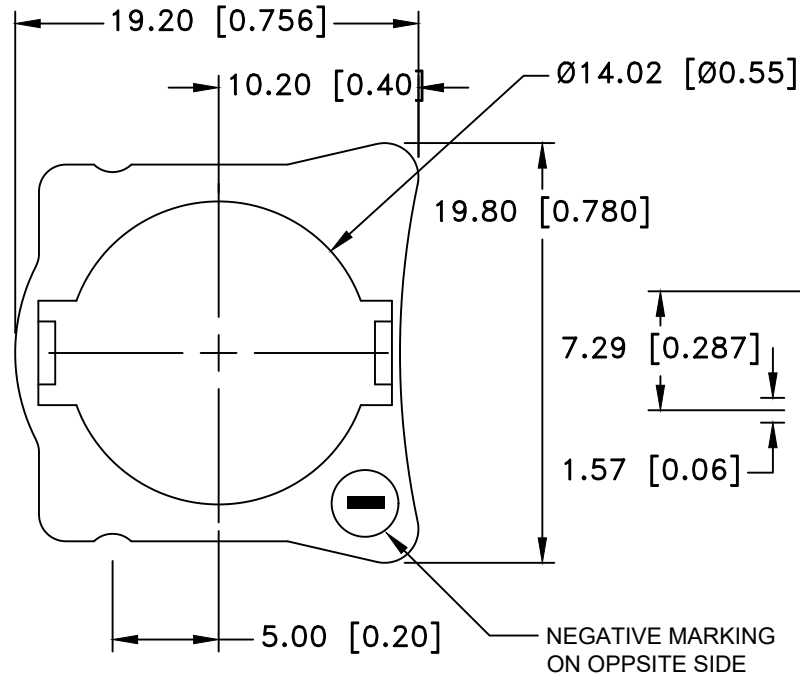
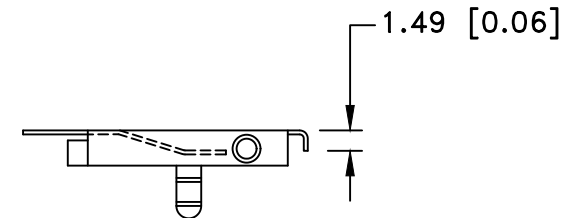
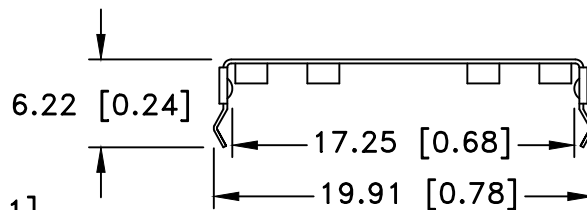
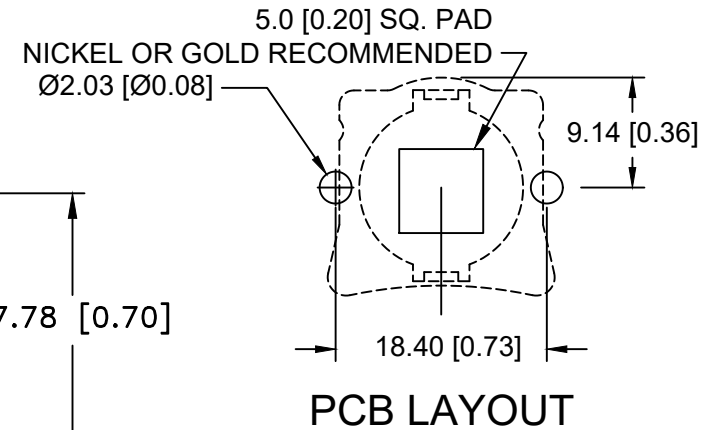
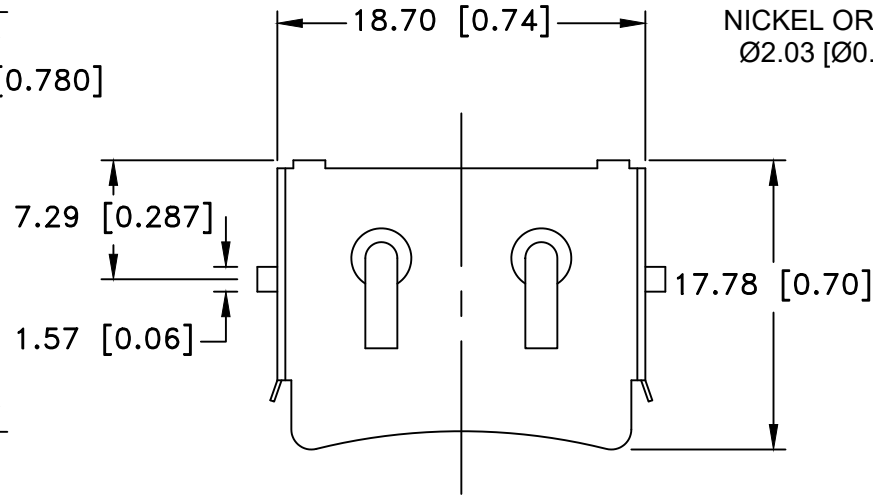
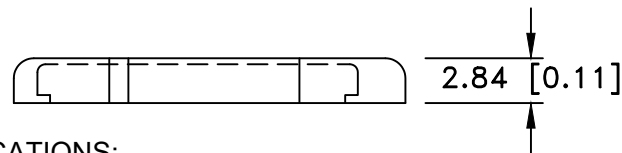


| Date     | SYM | REVISION RECORD                    | AUTH | DR.  | CK. |
|----------|-----|------------------------------------|------|------|-----|
| 12/11/15 | E   | CHANGED MICRO SEC. TO MILLISECONDS | T.B. | B.S. |     |
| 03/24/17 | F   | REDRAWN INSULATOR TOP VIEW         | T.B. | B.S. |     |
| 11/07/19 | G   | ADDED WEIGHT OF THE PART           | T.B. | B.S. |     |




# INSULATOR



## SPECIFICATIONS:

- \* Holder material- Polypropylene, AV161 PP, Off White
- \* UL Flammability Rating: UL 94-HB File No. E108370
- \* Contacts : Phosphor Bronze C5191, Nickel Plated
- \* Vibration test: 10-50-10 hz swept in 60 seconds  
x,y,z direction: 1 hour each direction
- \* Result: no dislodgement of the cell or damage  
no discontinuity over 10 microseconds
- \* Shock test: half sine wave acceleration 150g.  
6 milliseconds 3 shock pulses each direction per axis,  
total of 18 pulses
- \* Result: no evidence of physical damage
- \* Approximate weight: Retainer: 0.92g, Insulator: 0.22g
- \* ROHS COMPLIANT

|                                |   |                                |                                   |
|--------------------------------|---|--------------------------------|-----------------------------------|
| Tolerance<br>(Except as noted) |  <b>Memory Protection Devices, Inc</b><br>200 Broad Hollow Road, Farmingdale, New York 11735 |                                |                                   |
|                                | decimal<br>±.5 (.020)   | Scale                          | Drawn By B.S.<br>Approved By T.B. |
| Fractional<br>± .8 (.030)      | Title CR1620 PC PINS BATTERY RETAINER WITH INSULATOR  |                                |                                   |
| Angular<br>± 3°                | Date<br>11/07/19  | Drawing Number<br>BHX1-1620-PC |                                   |