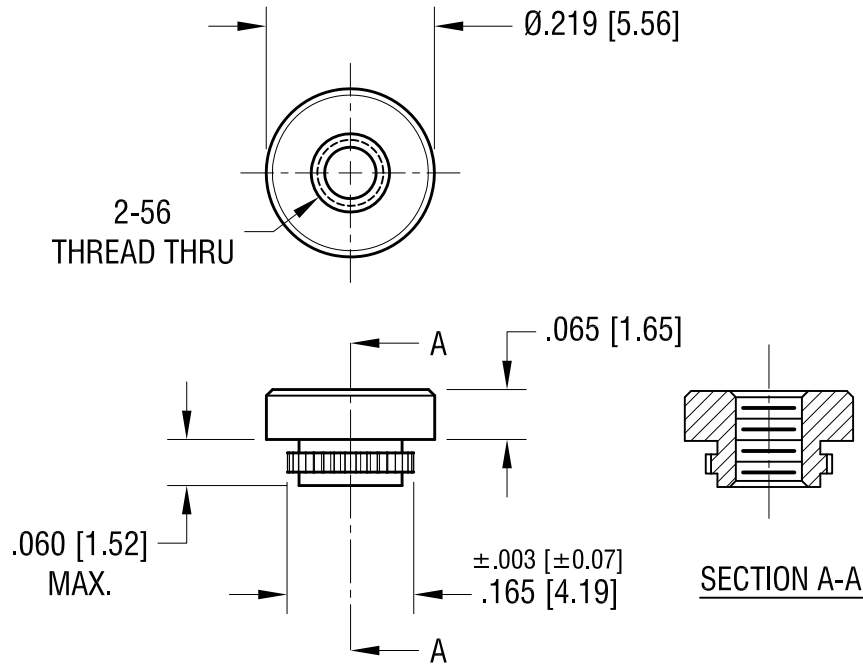


THIS DOCUMENT IS THE PROPERTY OF
KEYSTONE ELECTRONICS CORP. AND
SHALL NOT BE REPRODUCED, DISTRIBUTED
OR USED AS A BASIS FOR MANUFACTURE
WITHOUT PRIOR WRITTEN PERMISSION
FROM KEYSTONE ELECTRONICS CORP.

ACTUAL SIZE



11.22.21	CHANGE AS PER ECN21-146	B
12.19.05	CHANGE AS PER ECN 05-084	A
DATE	DESCRIPTION	REV.

KEYSTONE ELECTRONICS CORP.			
www.keyelco.com • NEW HYDE PARK NY 11040 • Tel (516)328-7500			
PART NAME FORCE-FIT STANDOFF, THREADED			
MATERIAL STAINLESS STEEL			
FINISH NONE		DRN BY BOONE	DATE 5.30.96
		APP'D LN	SCALE 4X
TOLERANCES	INCH [MM]	CODE	DWG NO.
DECIMAL	± .005 [± 0.13]	C	4860
ANGULAR	± 1°		
UNLESS OTHERWISE SPECIFIED			