

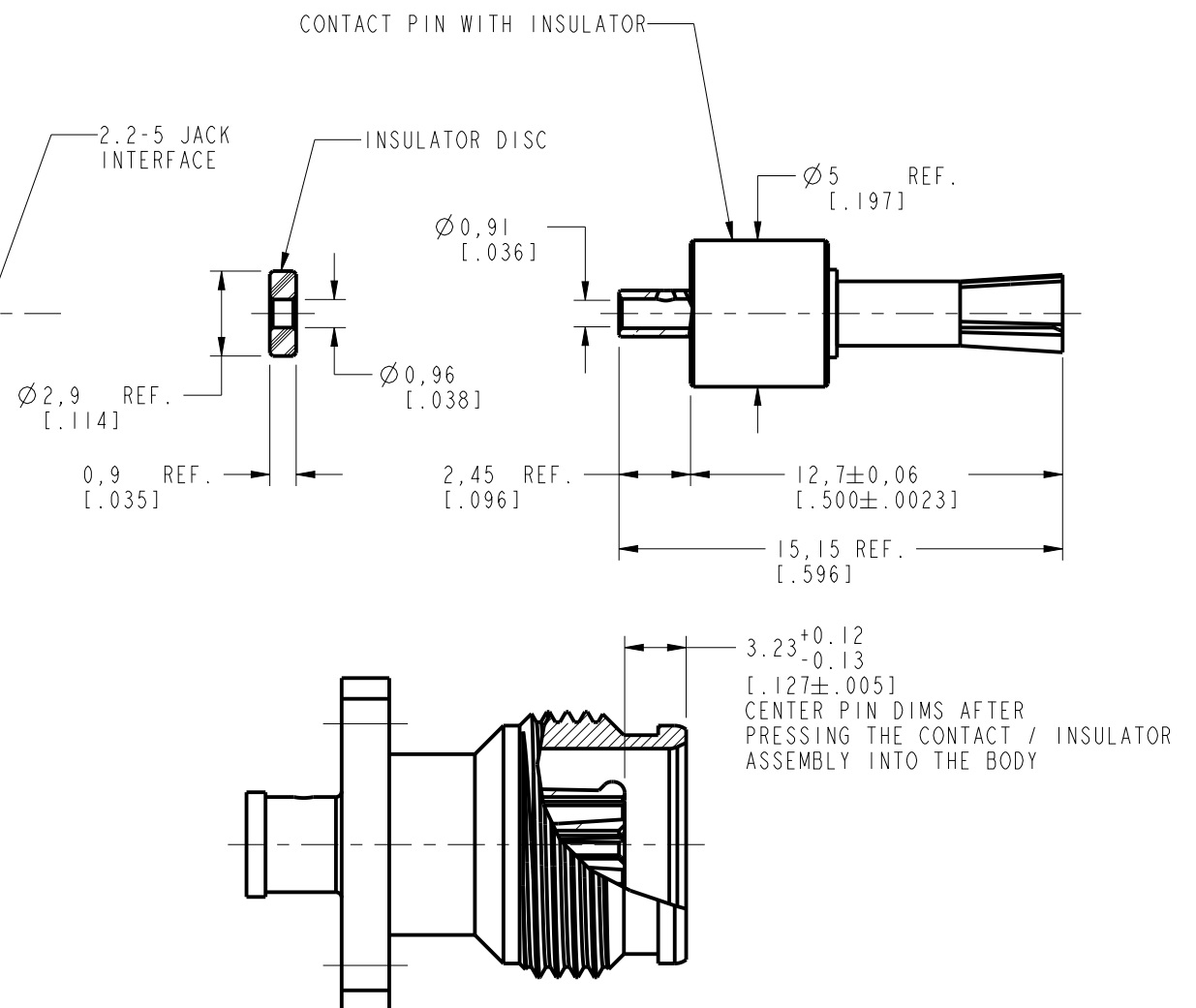
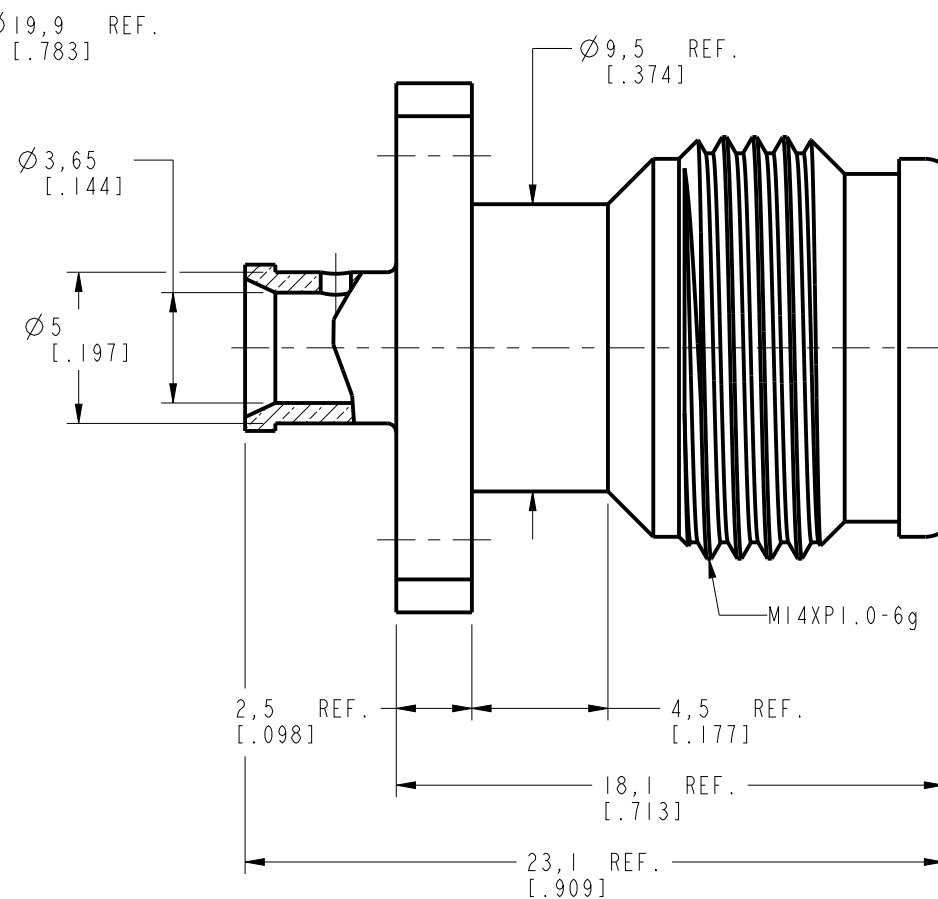
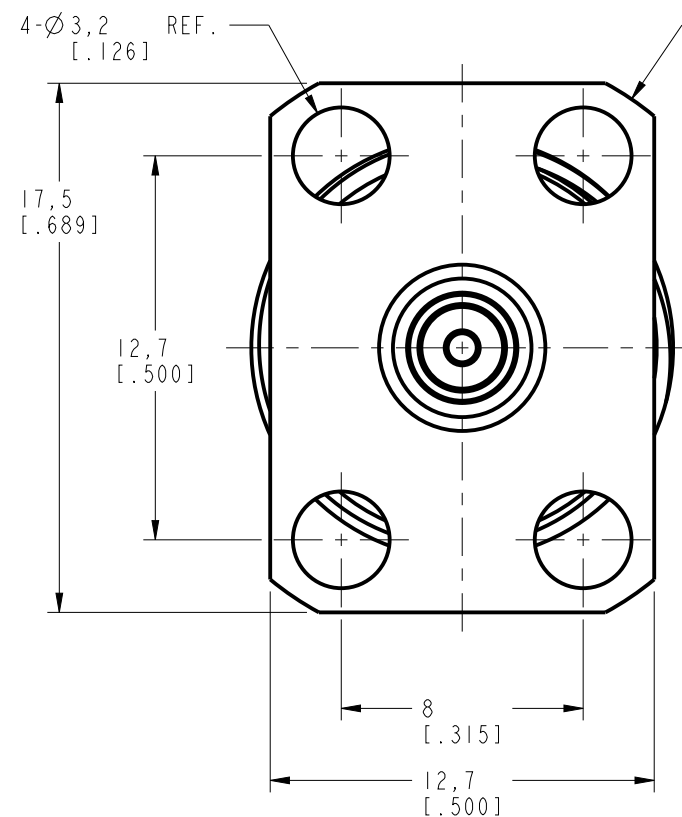
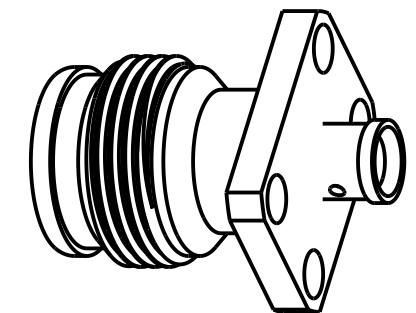
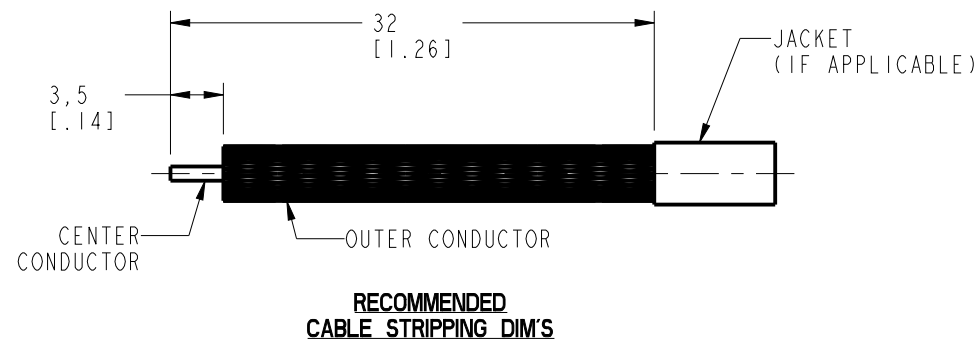
NOTES:

1. MATERIAL AND FINISH:  
 BODY - BRASS, WHITE BRONZE PLATING  
 CONTACT - BERYLLIUM COPPER, SILVER PLATING  
 INSULATOR - PTFE, NATURAL  
 INSULATOR DISC - ULTEM, NATURAL  
 OUTER CONTACT - PHOSPHOR BRONZE, WHITE BRONZE PLATING

2. ELECTRICAL:  
 A. IMPEDANCE: 50 OHM  
 B. FREQUENCY RANGE: DC - 6 GHz  
 C. RETURN LOSS: 30 dB MIN. DC - 6 GHz  
 D. INSULATION RESISTANCE: 3000 MΩ MIN.  
 E. DIELECTRIC WITHSTANDING VOLTAGE: 1500V MIN.  
 F. INTERMODULATION 3rd ORDER: -166 dBc @2X20W

3. MECHANICAL:  
 A. DURABILITY: 100 CYCLES MIN.  
 B. TEMPERATURE RANGE: -65°C TO +165°C

REVISIONS				
REV	DESCRIPTION	DATE	ECN	BY
A	RELEASE TO MFG.	12/3/2020	15439	DG



**CUSTOMER OUTLINE DRAWING**  
 ALL OTHER SHEETS ARE FOR INTERNAL USE ONLY

NOTICE: These drawings, specifications, or other data (1) are, and remain the property of Amphenol corp. (2) must be returned upon request; and (3) are confidential and not to be disclosed to any person other than those to whom they are given by Amphenol Corp. The furnishing of these drawings, specifications, or other data by Amphenol Corp., or to any other person to anyone for any purpose is not to be regarded by implication or otherwise in any manner licensing, granting rights to permitting such holder or any other person to manufacture, use or sell any product, process or design, patented or otherwise, that may in any way be related to or disclosed by said drawings, specifications, or other data.

UNLESS OTHERWISE SPECIFIED DIMENSIONS ARE METRIC (INCHES) AND TOLERANCES ARE:  
 <0.5mm = ±0.05mm [ $<0.020 = \pm 0.002$ ]  
 >0.5 - 6mm = ±0.1mm [ $>0.020 - 0.236 = \pm 0.004$ ]  
 >6.00 - 30mm = ±0.2mm [ $>0.236 - 1.181 = \pm 0.008$ ]  
 >30.00 - 120mm = ±0.3mm [ $>1.181 - 4.725 = \pm 0.012$ ]

MATERIAL ---  
 ENGINEER L.QIN  
 DATE 12/21/2017

TITLE  
 2.2/5 PANEL JACK FOR RG-402 OR .141 CABLE  
 SHEET NO. 2 OF 2 SCALE: 2.6:1.0

Amphenol RF  
 DRAWING NO. 2256581A1-001-ATS-50  
 ITEM NO. 225-100J-52S  
 PART NO. 225-100J-52S  
 REV A

THIRD ANGLE PROJ.

REFERENCE ---  
 EAR# 8104

ANGLES = ±1°