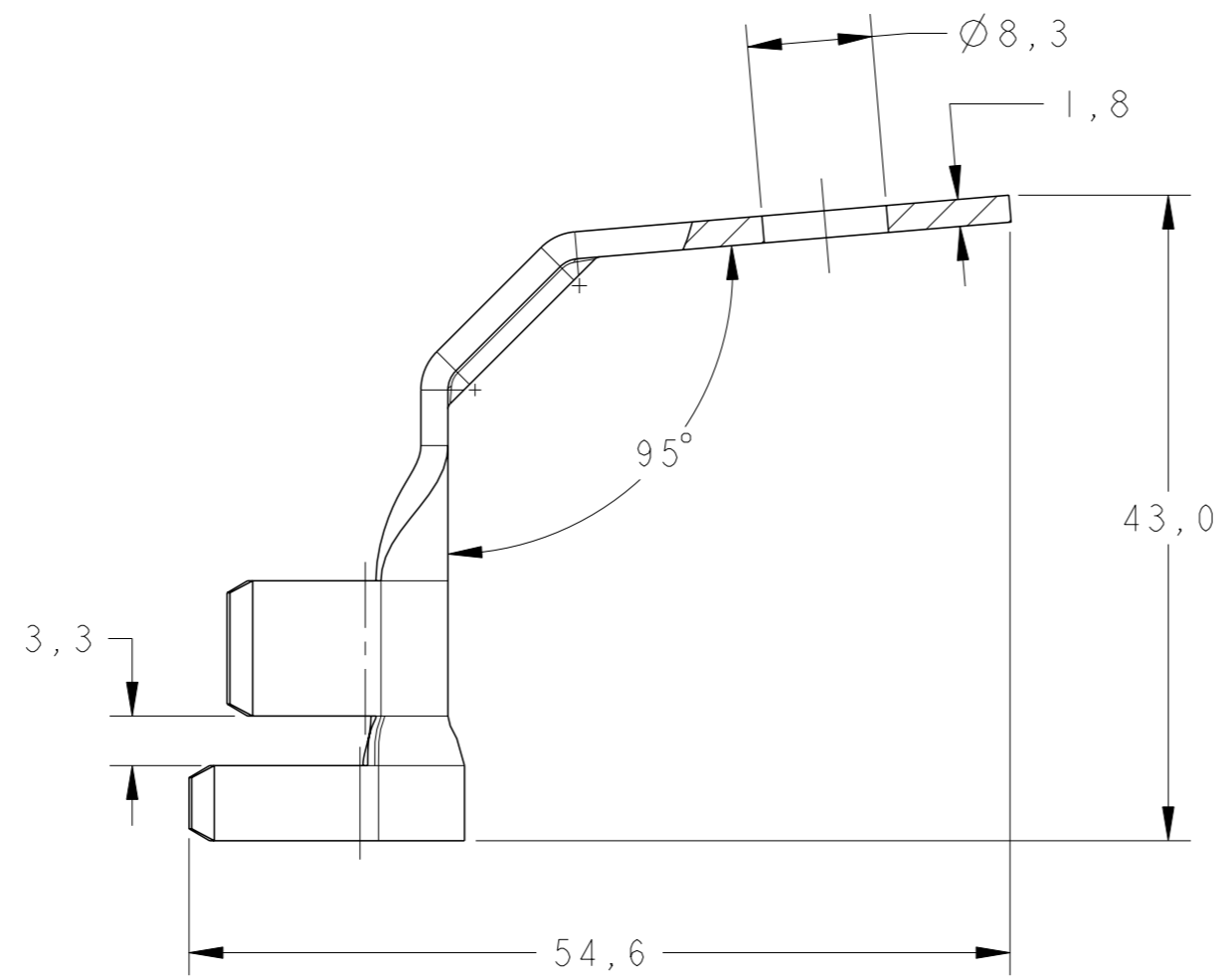
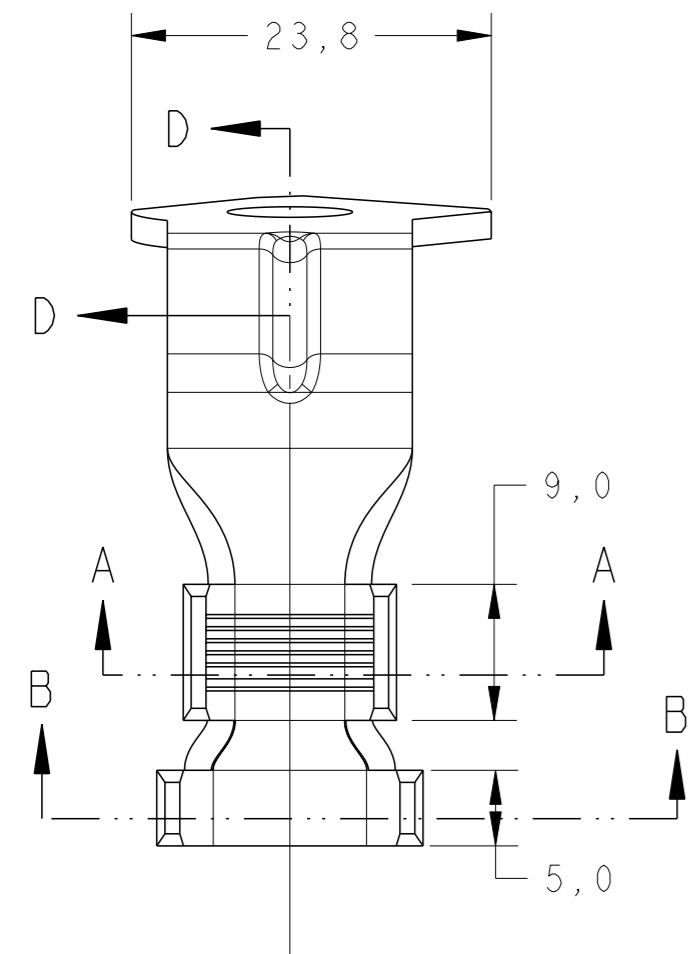
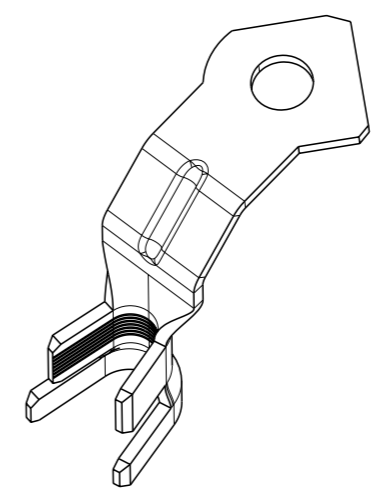


THIS DRAWING IS UNPUBLISHED. RELEASED FOR PUBLICATION 20  
 © COPYRIGHT 20 ALL RIGHTS RESERVED.

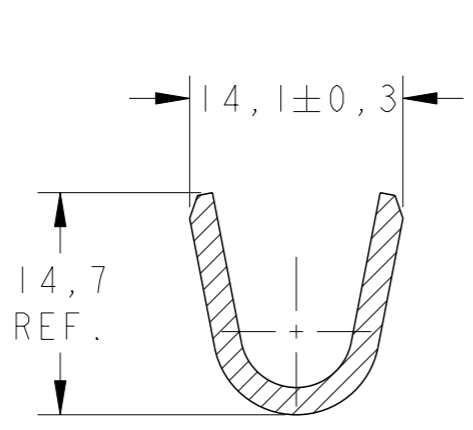
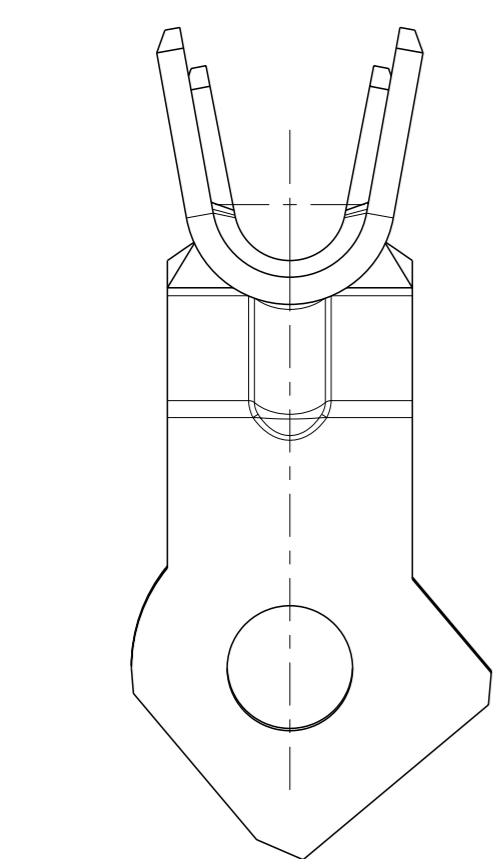
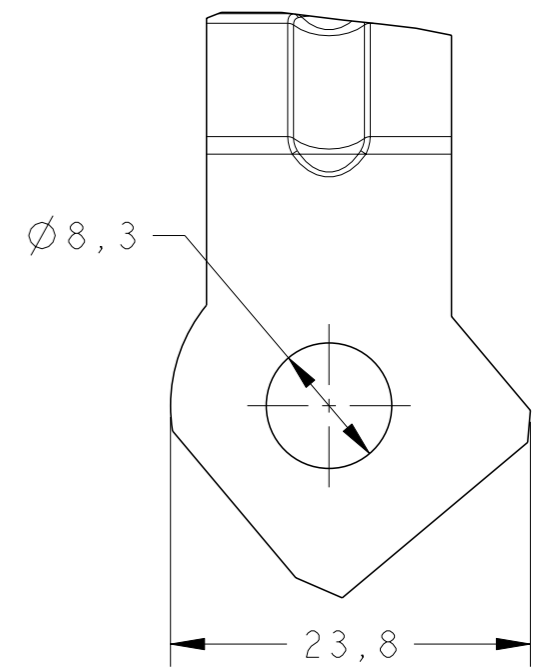
LOC		DIST		REVISIONS			
P	LTR	DESCRIPTION	DATE	DWN	APVD		
AP	-						
A		CHANGE STATUS ECO-11-023093	18NOV2011	NCL	MG		
B		REVISED BY ECO-12-014103	10AUG2012	MAS	MG		
BI		REVISED BY ECO-12-015592	30AUG2012	PP	MG		



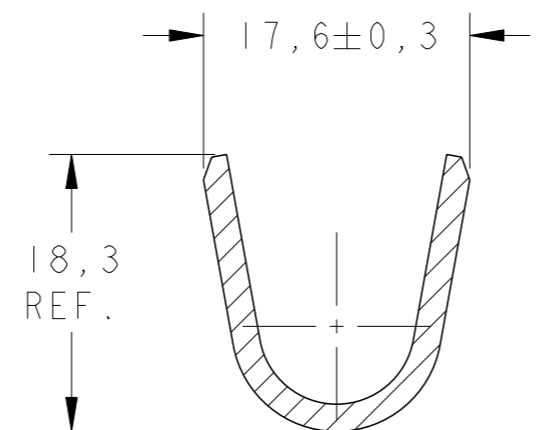
SECTION D-D



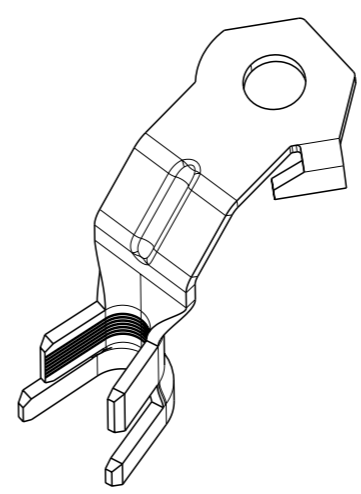
2133081-1  
PERSPECTIVE VIEW  
SCALE 1:1



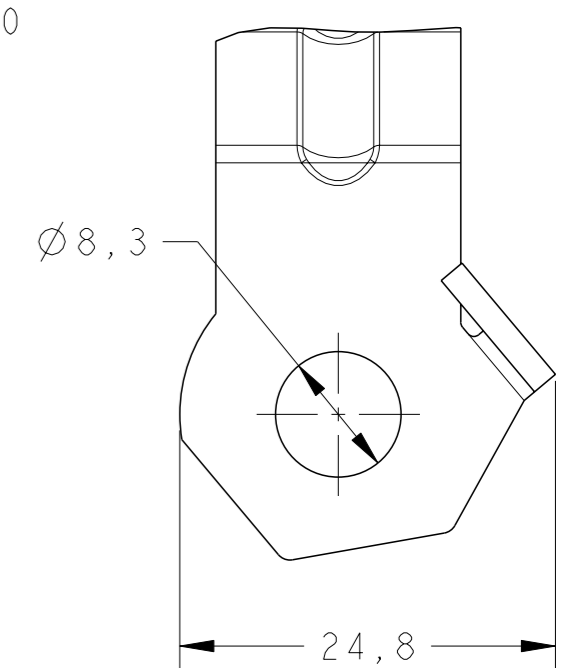
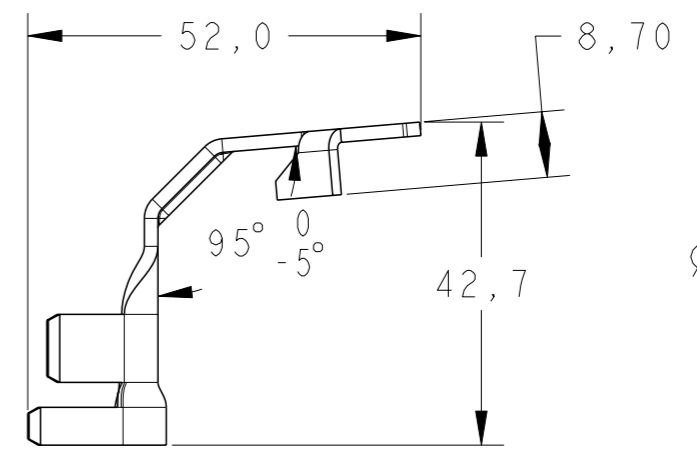
SECTION A-A



SECTION B-B



2133081-3  
PERSPECTIVE VIEW  
SCALE 1:1



WIRE RANGE	INSULATION RANGE	ESTANHADO / TINPLATED	LATÃO / BRASS	2133081-3
25 - 35mm <sup>2</sup>	∅ 9,4 - 11,6	ESTANHADO / TINPLATED	LATÃO / BRASS	2133081-1
THIS DRAWING IS A CONTROLLED DOCUMENT.		FINISH MATERIAL PART NO		
DIMENSIONS: mm		TOLERANCES UNLESS OTHERWISE SPECIFIED:		
0 PLC ±		±0,3		
1 PLC ±		±		
2 PLC ±		±		
3 PLC ±		±		
4 PLC ±		±		
ANGLES ±		±1°		
FINISH		FINISH		
SEE TABLE		SEE TABLE		
MATERIAL		MATERIAL		
SEE TABLE		SEE TABLE		
DWN F. CHAPELA 24JUN2010		APVD M. G. SOLDI 24JUN2010		
CHK E. LOPES 24JUN2010		NAME		
APVD M. G. SOLDI 24JUN2010		PRODUCT SPEC		
APVD M. G. SOLDI 24JUN2010		APPLICATION SPEC		
APVD M. G. SOLDI 24JUN2010		WEIGHT 21,3g		
APVD M. G. SOLDI 24JUN2010		CUSTOMER DRAWING		
APVD M. G. SOLDI 24JUN2010		SCALE 2:1		
APVD M. G. SOLDI 24JUN2010		SHEET 1 OF 1		
APVD M. G. SOLDI 24JUN2010		REV BI		



TERMINAL RING TONGUE M8, 95°