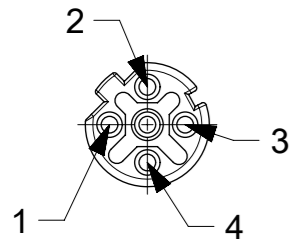


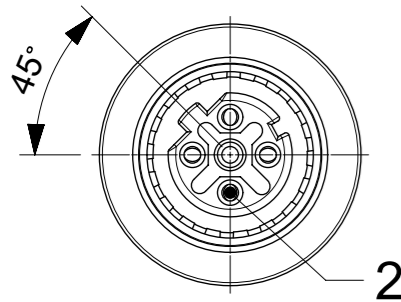
4 POLE D-CODE

M12 FEMALE



PIN	WIRE COLOR
1	OR
2	GN
3	OR/WH
4	GN/WH
5	-

CODING ACCORDING TO IEC-61076-2-101



PART No MATRIX

E Y 0 A 0 0 0 X X X X X X X

EY0: ETHERNET ULTRA LOCK 2.0 SINGLE ENDED

WIRING: A = 4 POLE STRAIGHT WIRED

HEADER: 000 = FEMALE STRAIGHT

CABLE: 04 = ETHERNET CAT-5E 2x2x24AWG TPE TEAL

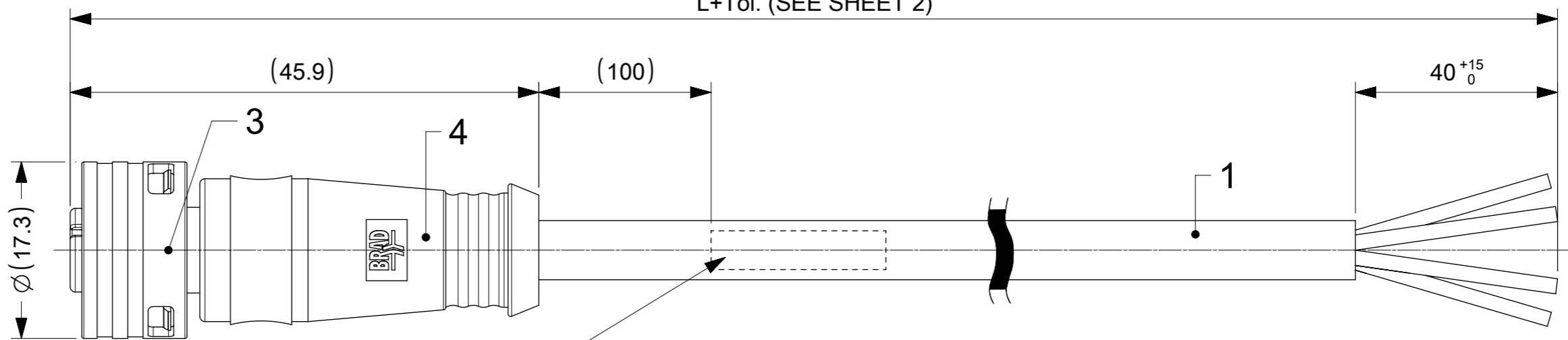
UNIT: M = METER F = FEET C = CENTIMETER T = 10M

LENGTH: EXAMPLE: 010 = 1 m 050 = 5 m 100 = 10 m

OPTIONS

OVERMOLD: BLANK = STANDARD BRAD: - YELLOW IN THE USA - BLACK IN EUROPE
A = GREY
E = RED
G = BLACK
Y = YELLOW
H = STD. COLOUR WITH TWO ID-TAG CARRIERS

L+Tol. (SEE SHEET 2)

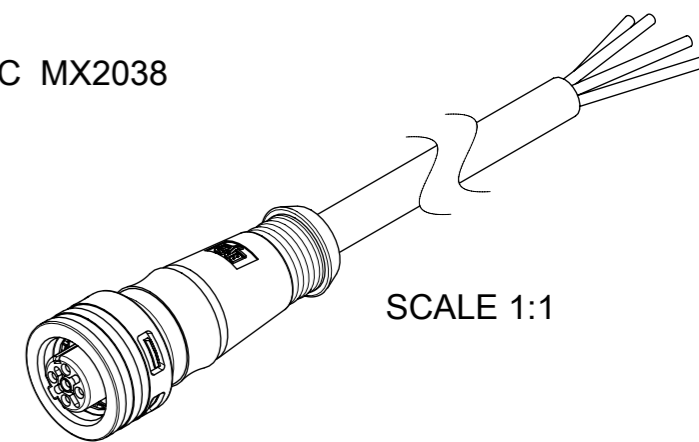


CABLE PRINTING:
"MOLEX" "MOLEX P/N" "ENGINEERING NO." " MX CALENDAR YEAR CALENDAR WEEK"
SECOND PRINT 300mm. AWAY

FOR EXAMPLE: MOLEX 1204000401 Y04000X04M010DC MX2038

NOTES:

- PARTS ACC. TO PRODUCT SPECIFICATION 1204000001 PS P10 AND IN STYLE OF IEC-61076-2-010
- BOM & PART LIST - SEE SHEET 2
- ELECTRICAL DATA: ACCORDING TO CAT5e ETHERNET STANDARD
RATED VOLTAGE: 60V DC
RATED CURRENT: 1.5A, DERATING HAS TO BE CONSIDERED
OVERVOLTAGE CATEGORY: 3
POLLUTION DEGREE: 3, ONLY IN MATED AND LOCKED CONDITION
- PROTECTION CLASS: IP 67, ONLY IN MATED AND LOCKED CONDITION
- TEMPERATURE RANGE:
TEMPERATURE PLUG/SOCKET: -40 °C TO +85 °C
TEMPERATURE CABLE: SEE CABLE LIST
- MECHANICAL OPERATIONS: 100 CYCLES
- MATES WITH ULTRA-LOCK M12 MALE RECEPTACLES
- PACKAGING: THE CORDSETS ARE SINGLE PACKED IN PLASTIC BAGS AND DELIVERED IN CARTON BOXES
- UL CSA FILE REGISTRATION PENDING



FUNCTIONAL SYMBOLS	THIS DRAWING CONTAINS INFORMATION THAT IS PROPRIETARY TO MOLEX ELECTRONIC TECHNOLOGIES, LLC AND SHOULD NOT BE USED WITHOUT WRITTEN PERMISSION	CURRENT REV DESC: NOTES AND CABLE LIST UPDATED		molex																													
	<table border="1"> <tr> <th>FUNCTIONAL SYMBOLS</th> <th>DIMENSION UNITS</th> <th>SCALE</th> </tr> <tr> <td>$\nabla_A = 0$</td> <td>mm</td> <td>2:1</td> </tr> <tr> <td>$\nabla_E = 0$</td> <td colspan="2">GENERAL TOLERANCES (UNLESS SPECIFIED)</td> </tr> <tr> <td>$\nabla_F = 0$</td> <td colspan="2">ANGULAR TOL ± 1.0°</td> </tr> <tr> <td></td> <td>4 PLACES</td> <td>±</td> </tr> <tr> <td></td> <td>3 PLACES</td> <td>±</td> </tr> <tr> <td></td> <td>2 PLACES</td> <td>± 0.05</td> </tr> <tr> <td></td> <td>1 PLACE</td> <td>± 0.3</td> </tr> <tr> <td></td> <td>0 PLACES</td> <td>± 0.5</td> </tr> </table>	FUNCTIONAL SYMBOLS	DIMENSION UNITS					SCALE	$\nabla_A = 0$	mm	2:1	$\nabla_E = 0$	GENERAL TOLERANCES (UNLESS SPECIFIED)		$\nabla_F = 0$	ANGULAR TOL ± 1.0°			4 PLACES	±		3 PLACES	±		2 PLACES	± 0.05		1 PLACE	± 0.3		0 PLACES	± 0.5	EC NO: 736602 DRWN: RSCHIEBER 2023/01/24 CHK'D: RSILLER 2023/01/31 APPR: RSILLER 2023/01/31
FUNCTIONAL SYMBOLS	DIMENSION UNITS	SCALE																															
$\nabla_A = 0$	mm	2:1																															
$\nabla_E = 0$	GENERAL TOLERANCES (UNLESS SPECIFIED)																																
$\nabla_F = 0$	ANGULAR TOL ± 1.0°																																
	4 PLACES	±																															
	3 PLACES	±																															
	2 PLACES	± 0.05																															
	1 PLACE	± 0.3																															
	0 PLACES	± 0.5																															
DIVISIONAL SYMBOLS	DRAFT WHERE APPLICABLE MUST REMAIN WITHIN DIMENSIONS		THIRD ANGLE PROJECTION	DRAWING	SERIES	MATERIAL NUMBER	CUSTOMER	DOCUMENT NUMBER	DOC TYPE	DOC PART	REVISION																						
				A3-SIZE	120406	SEE SHEET 2	GENERAL MARKET	1204060001	PSD	000	A2																						
											SHEET NUMBER																						
											1 OF 2																						

MOLEX NO.	ENGINEERING NO.	LENGHT (MM)
1204060001	EY0A00004M006	600
1204060002	EY0A00004M010	1000
1204060003	EY0A00004M020	2000
1204060004	EY0A00004M050	5000
1204060005	EY0A00004M100	10000
1204060006	EY0A00004M250	25000
1204060007	EY0A00004M300	30000

MOLEX NO.	ENGINEERING NO.	LENGHT (MM)

MOLEX NO.	ENGINEERING NO.	LENGHT (MM)

CABLE LIST

4P	5P	CABLE TYPE	DESCRIPTION	MATERIAL	FINISH/COLOR	FIXED INSTALLATION *		FLEXIBLE INSTALLATION **		DRAG CHAIN	
						MIN.	MAX.	MIN.	MAX.	MIN.	MAX.
X		04	CABLE ETHERNET CAT-5E TPE TEAL 2X2X24AWG D6.5	TPE	TEAL	-20°C	+75°C	-5°C	+75°C	-	-

CABLE LENGTH TOLERANCES	
LENGTH	TOLERANCE
0m-1m	+40 mm
>1m-5m	+60 mm
>5m-10m	+80 mm
>10m-20m	+140 mm
>20m-30m	+160 mm
>30m	+1% length

* FIXED POSITION WITHOUT ACCIDENTAL CRUSHING OF VIBRATION.
 ** FREE MOTION WITHOUT PERIODIC RECURRENCE OR FORCED GUIDANCE.

BILL OF MATERIAL:

4P	5P	ITEM	QTY	DESCRIPTION	MATERIAL	FINISH/COLOR
X		1	-	CABLE	SEE CABLE LIST	SEE CABLE LIST
X		2	4/5	CONTACT 10 FE STA AU	BRASS	GOLD OVER NICKEL PLATED
X		3	1	PLG U12 4P DC FE PA UNSH	-	-
X				PLG U12 5P DC FE PA UNSH		
X		4	1	OVERMOLD	TPC	SEE MATRIX
IF "H" IS IN MATRIX-END		-	2	I/D CARRIER DIA 4-7MMX30MM	PVC	TRANSPARENT

FUNCTIONAL SYMBOLS

$\frac{A}{B} = 0$

$\frac{C}{D} = 0$

$\frac{E}{F} = 0$

DIVISIONAL SYMBOLS

1 PLACE ± 0.3

0 PLACES ± 0.5

THIS DRAWING CONTAINS INFORMATION THAT IS PROPRIETARY TO MOLEX ELECTRONIC TECHNOLOGIES, LLC AND SHOULD NOT BE USED WITHOUT WRITTEN PERMISSION

SCALE 1:1

mm

GENERAL TOLERANCES (UNLESS SPECIFIED)

ANGULAR TOL $\pm 1.0^\circ$

4 PLACES \pm

3 PLACES \pm

2 PLACES ± 0.05

1 PLACE ± 0.3

0 PLACES ± 0.5

DRAFT WHERE APPLICABLE MUST REMAIN WITHIN DIMENSIONS

THIRD ANGLE PROJECTION

DRAWING A3-SIZE

SERIES 120406

MATERIAL NUMBER SEE PART LIST

CUSTOMER GENERAL MARKET

SHEET NUMBER 2 OF 2

EC NO: 736602

DRWN: RSCHIEBER 2023/01/24

CHK'D: RSILLER 2023/01/31

APPR: RSILLER 2023/01/31

INITIAL REVISION:

DRWN: RSCHIEBER 2021/04/28

APPR: RSILLER 2021/05/05

CURRENT REV DESC: NOTES AND CABLE LIST UPDATED

CSE U12ET 4P DC FE STR TPE 1M SE UNSH TE

PRODUCT CUSTOMER DRAWING

DOCUMENT NUMBER	DOC TYPE	DOC PART	REVISION
1204060001	PSD	000	A2

DOCUMENT STATUS	P1	RELEASE DATE	2023/01/31 08:21:44
-----------------	----	--------------	---------------------