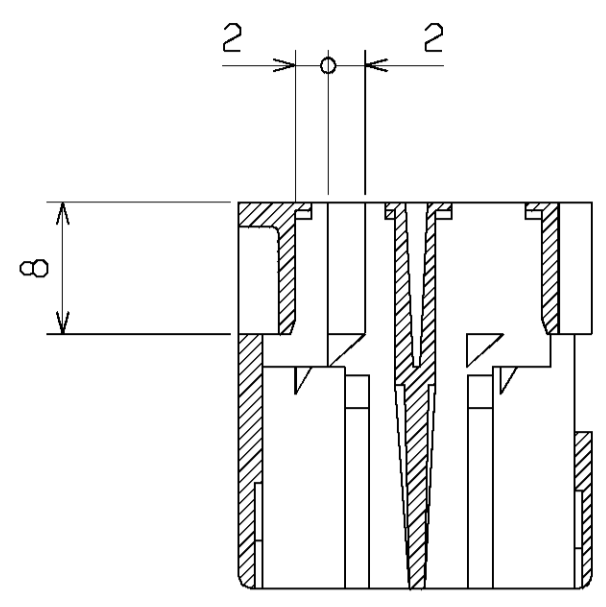
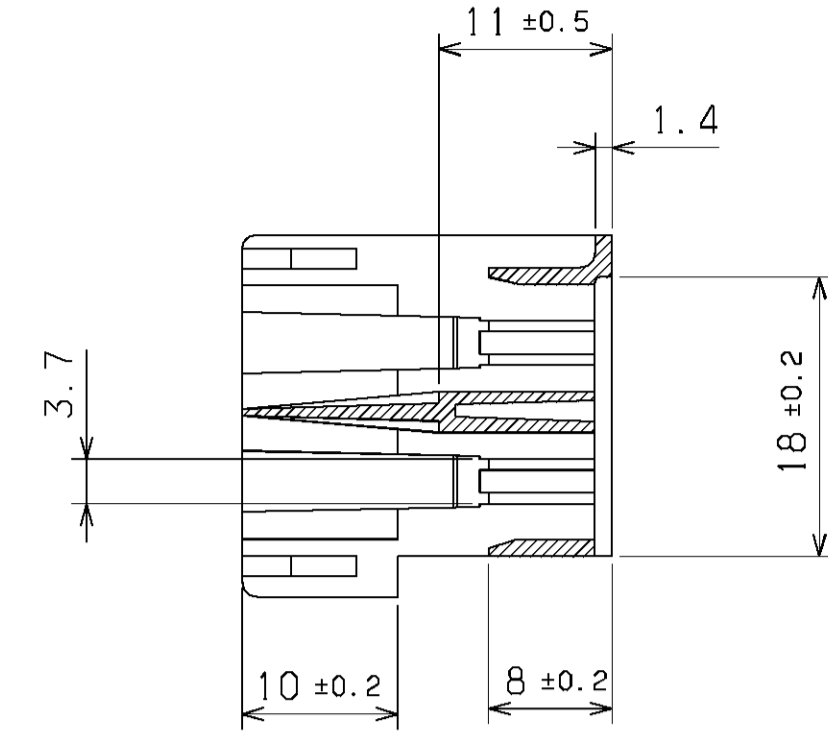


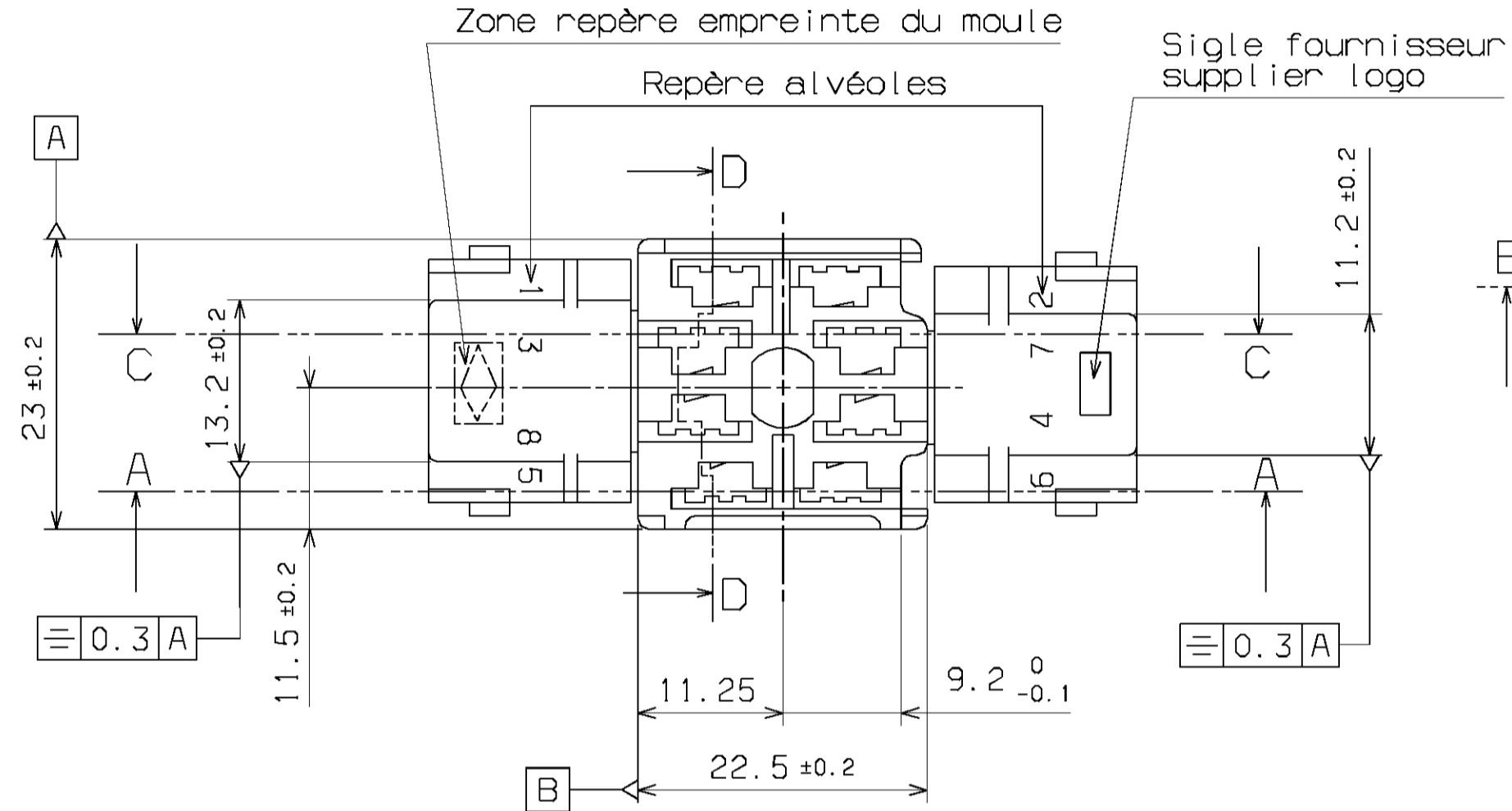
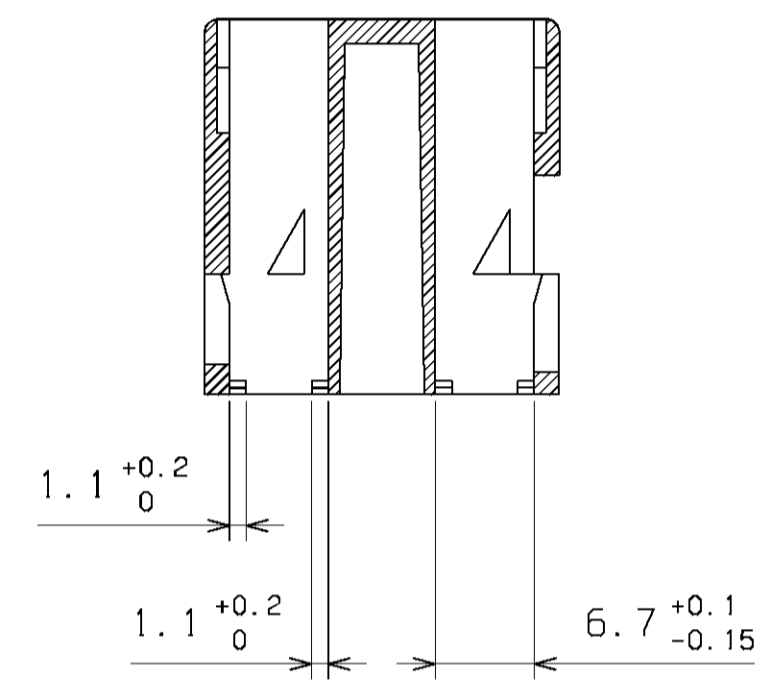
A_A (sans couvercle)



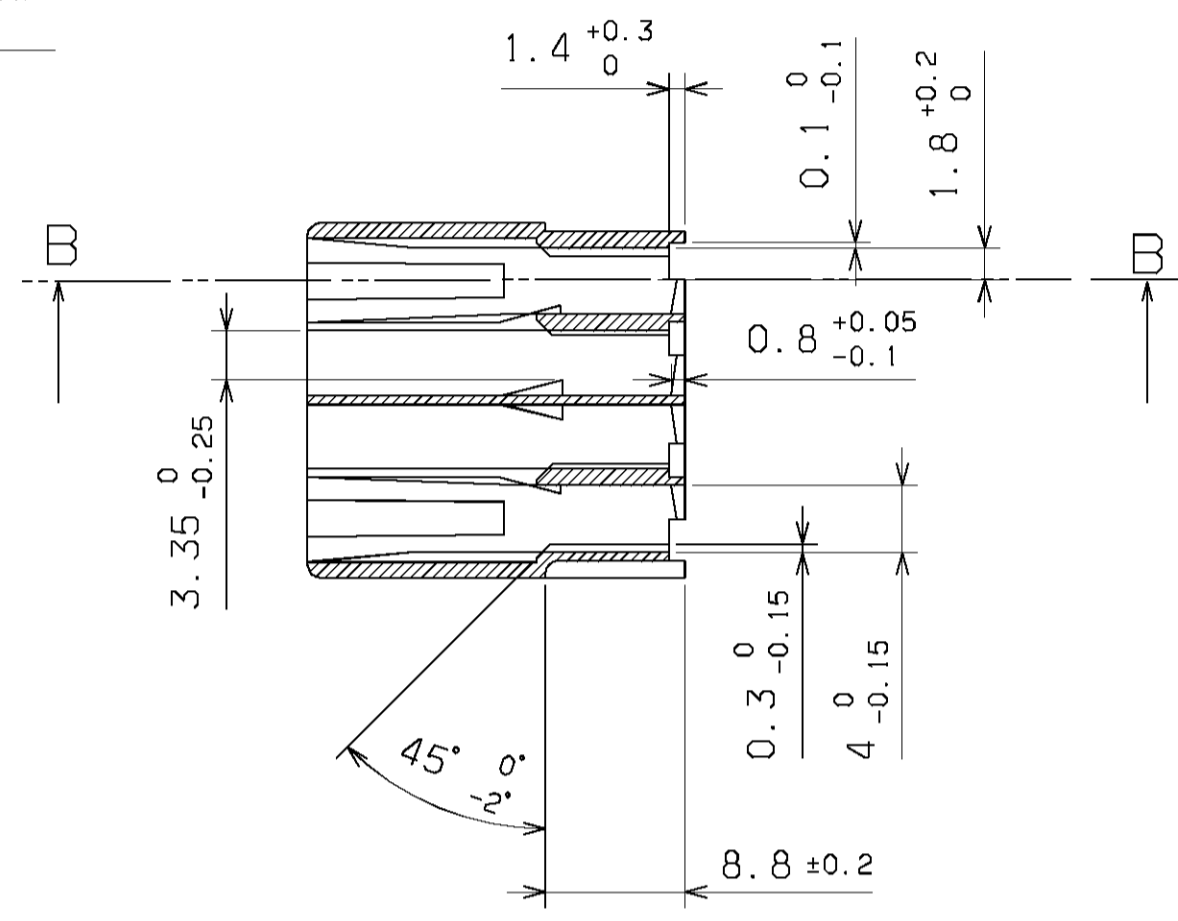
B_B (sans couvercle)



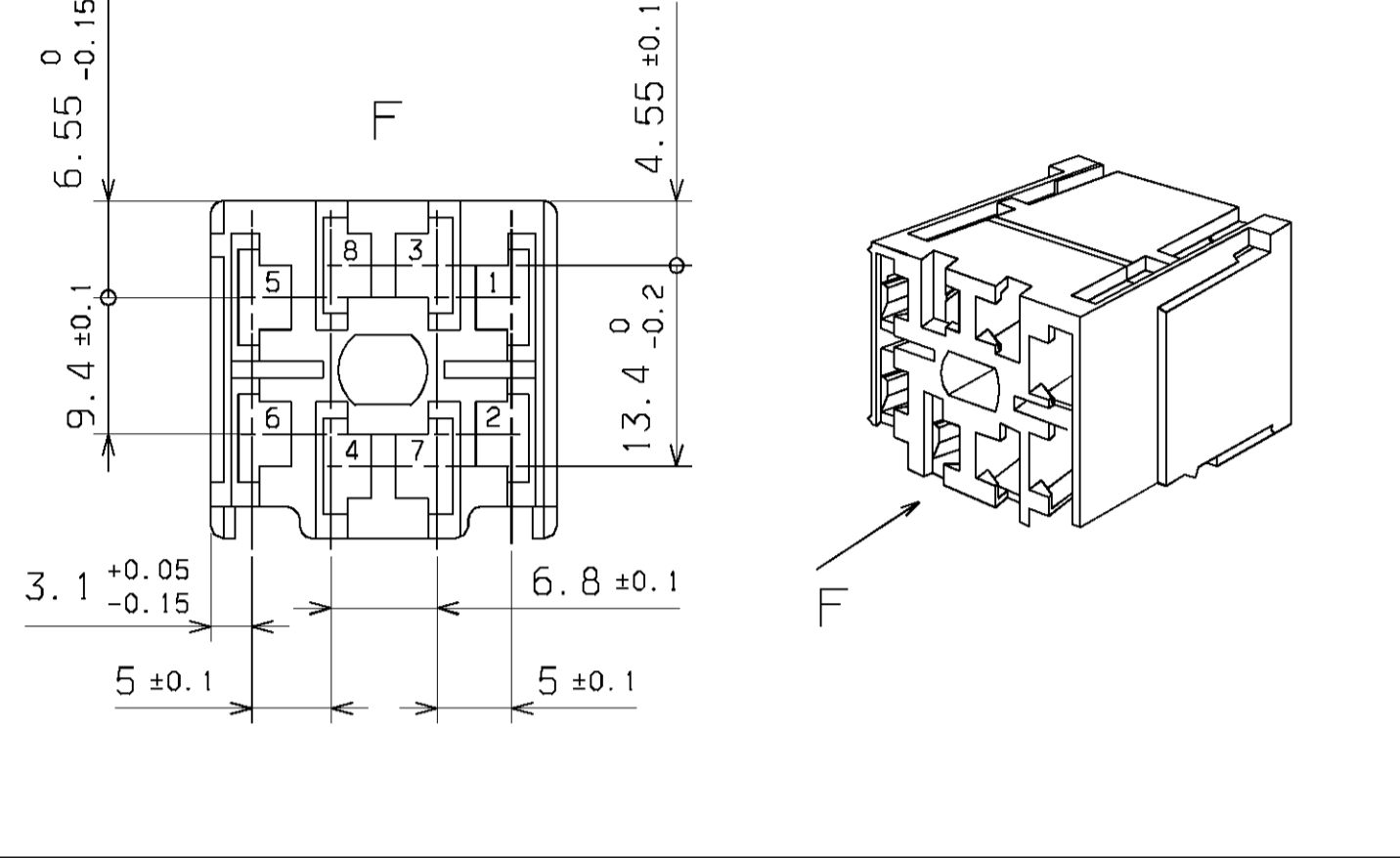
C_C (sans couvercle)



D_D

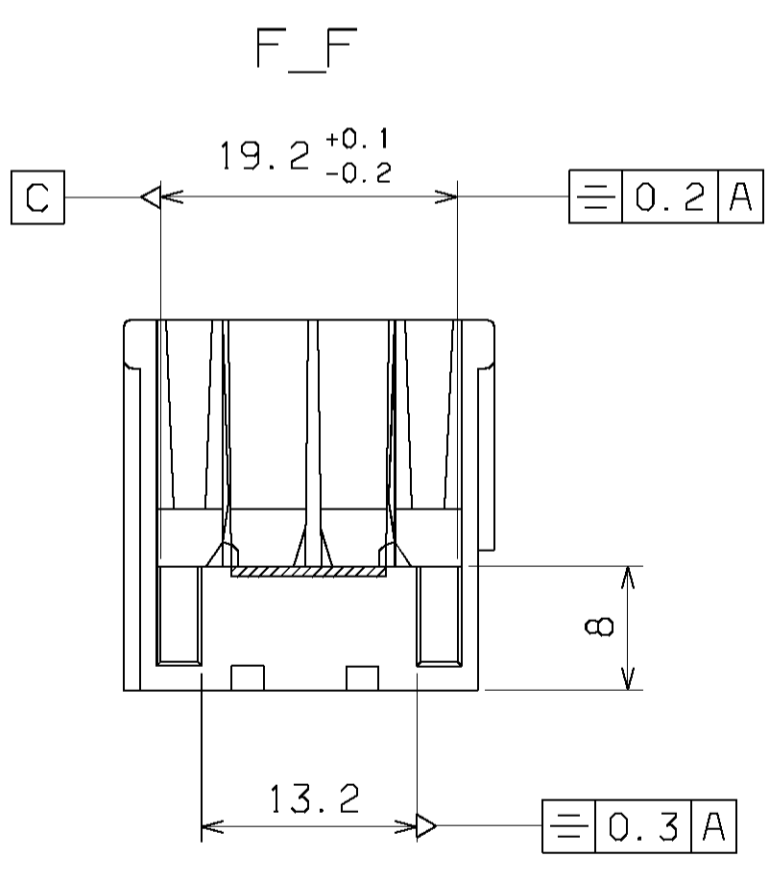
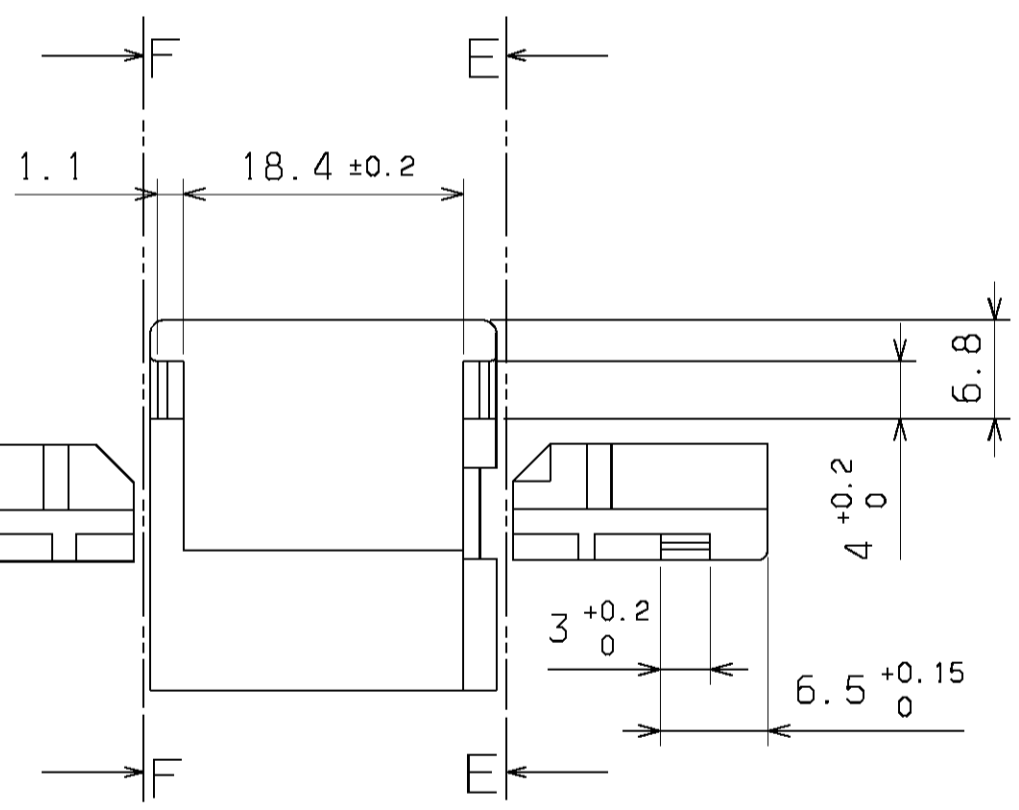
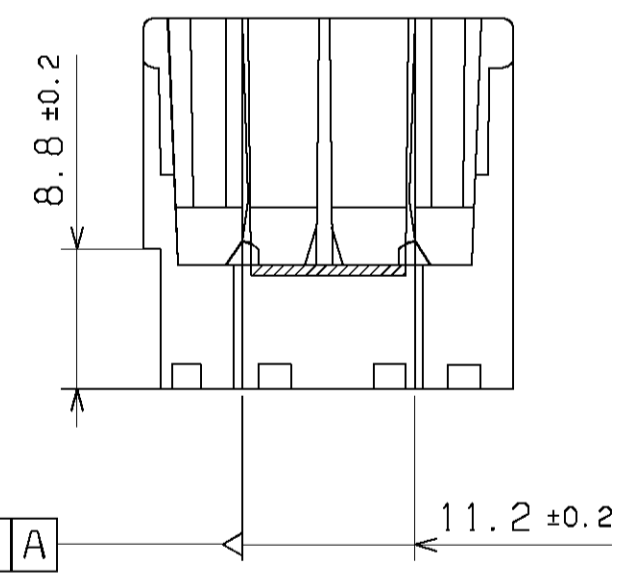


REFERENCE	COULEUR	MATIERE/MATERIAL
0989381080	naturel	PA 6.6
0989381081	noir	PA 6.6
0989381084	jaune	PA 6.6
0989381085	vert	PA 6.6
0989381086	bleu	PA 6.6
0989381088	gris	PA 6.6

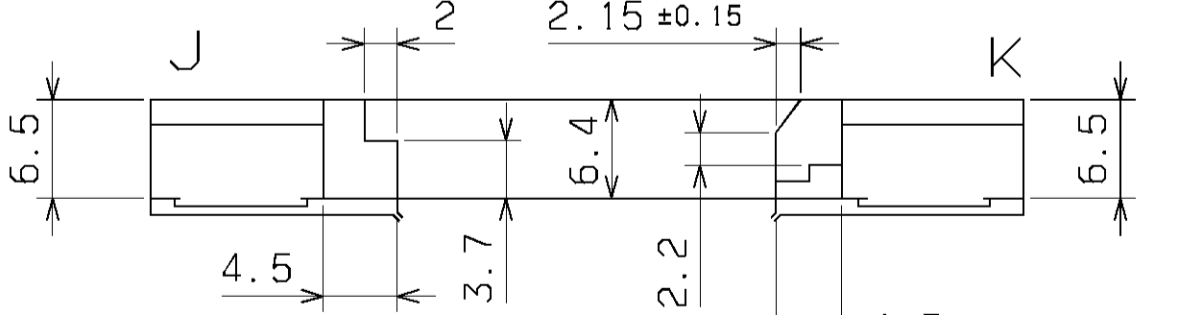
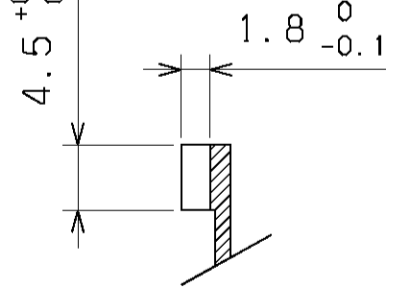


NOTA :
Cotes à contrôler sur pièces en état stabilisé à 2.5%±0.5% de teneur en eau.
Livraison : vrac

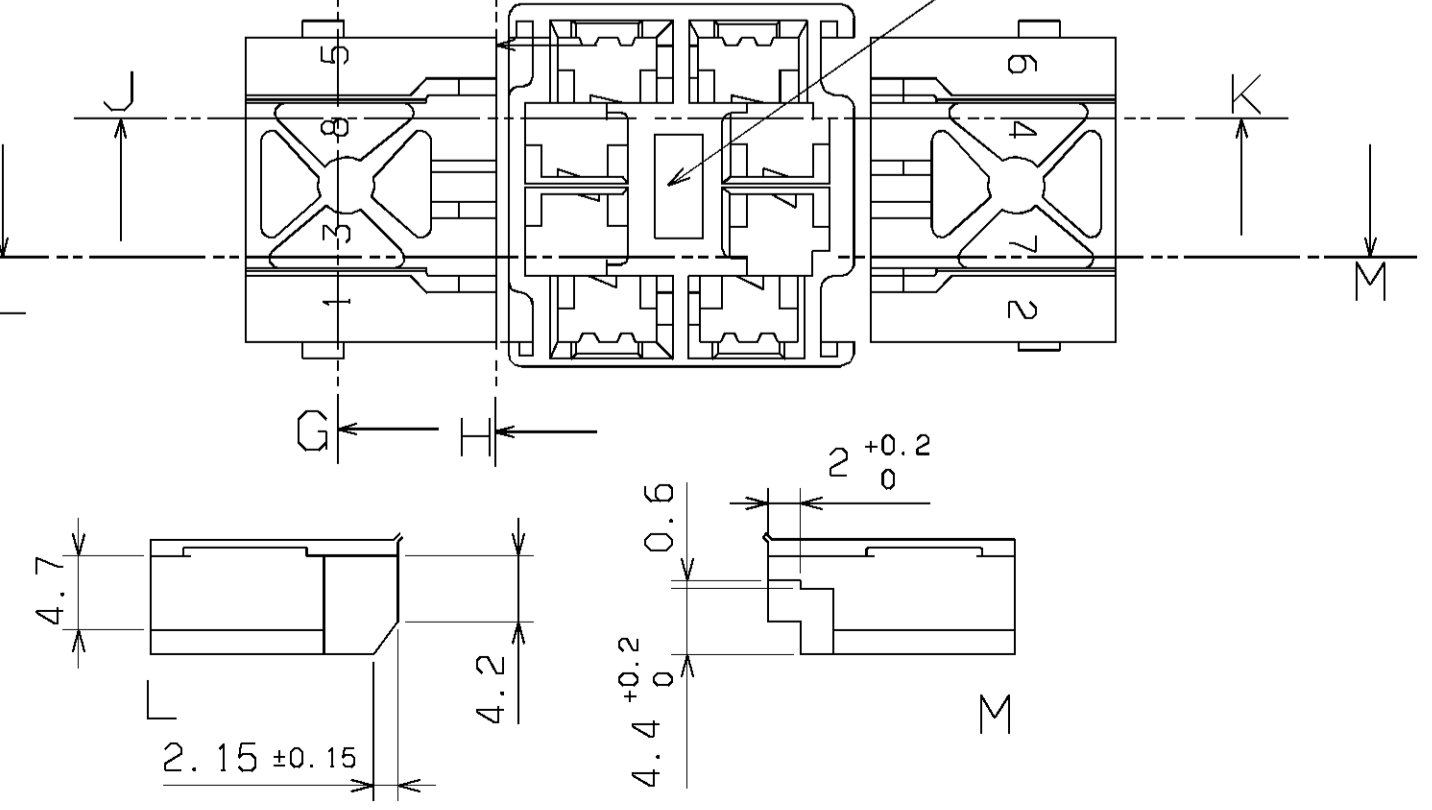
E_E



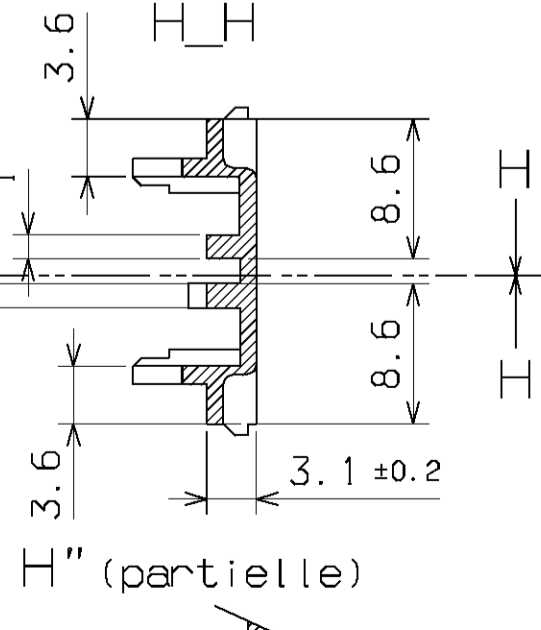
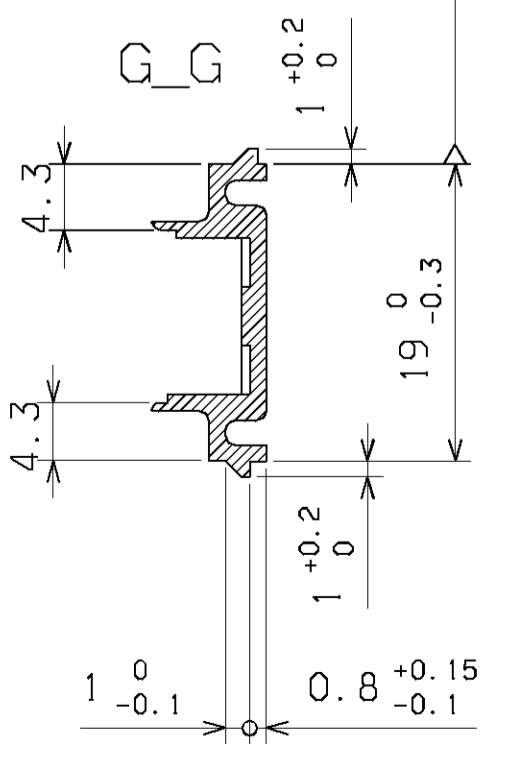
H' (partielle)



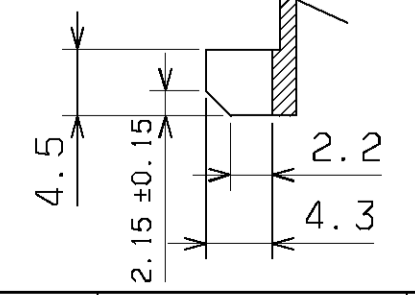
Référence fournisseur P/N



G_G



H'' (partielle)



TYPE	CONNEXIONS à EMPLOYER
C.S.P.	0988901014
V.D.L.	0988961014 0.35 à 1mm ² isolant réduit
	0988952014
C.S.P.	0988901011
V.D.L.	0988903011 0.35 à 1mm ²
	0988951011
	0988952011
C.S.P.	0988901012
V.D.L.	0988903012 1 à 3mm ²
	0988951012
	0988952012

ENTER DESCRIPTION	GENERAL TOLERANCES (UNLESS SPECIFIED)		DIMENSION STYLE		SCALE	DESIGN UNITS	FIRST ANGLE PROJECTION
	mm	INCH	MM ONLY		2:1	METRIC	
4 PLACES ±	±	±	DRAWN BY HE		DATE 81/10/14	TITLE	
3 PLACES ±	±	±	CHECKED BY JLD		DATE 05/09/23	CSP5 RCPT HSG	
2 PLACES ± 0.1	±	±	APPROVED BY LST		DATE 05/09/23	W/ CAP 4CHE P 8CKT	
1 PLACE ± 0.1	±	±	MATERIAL NO. SEE CHART		DOCUMENT NO. SD-98938-001	MOLEX INCORPORATED	
ANGULAR ± 2°	±	±	SIZE A1		THIS DRAWING CONTAINS INFORMATION THAT IS PROPRIETARY TO MOLEX INCORPORATED AND SHOULD NOT BE USED WITHOUT WRITTEN PERMISSION		
DRAFT WHERE APPLICABLE MUST REMAIN WITHIN DIMENSIONS						SHEET NO. 1 OF 1	

FROM DRAWING P/N 4340022 IND.G 90/09/13
G1 Change part numbers, supplier logo and drawing frame
05/09/23
Modif. Issue