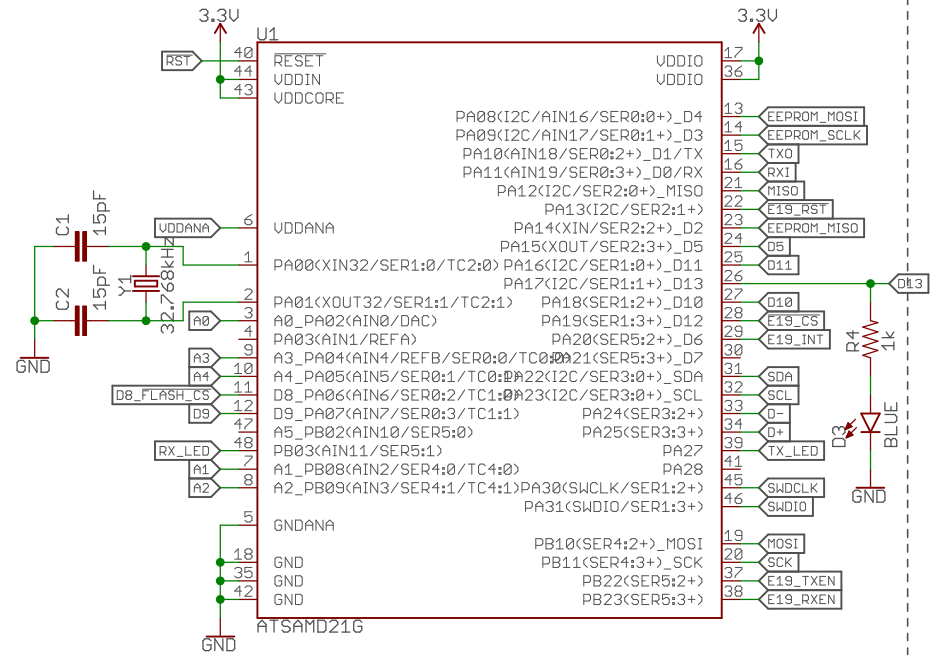
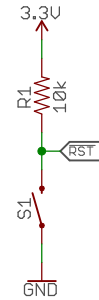
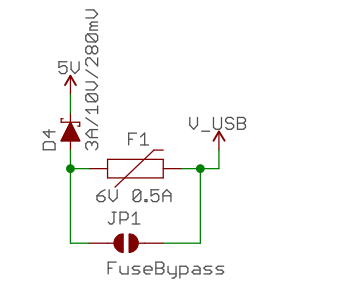
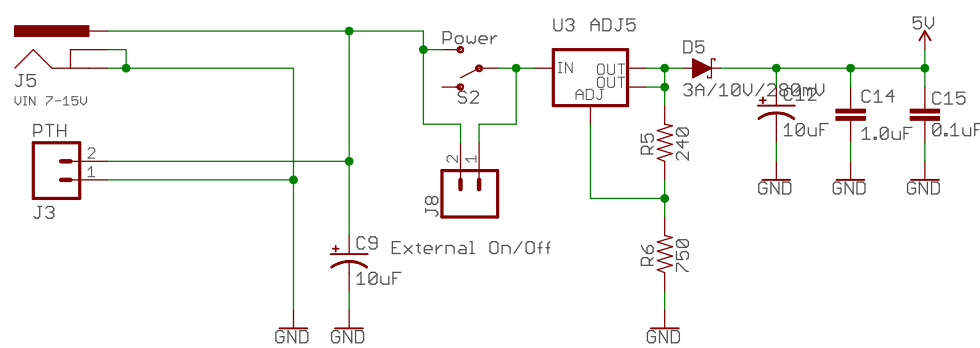


SAMD21G

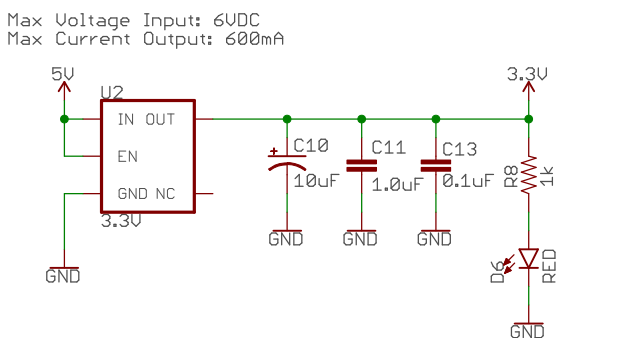
RESET



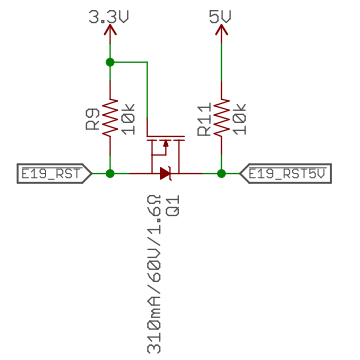
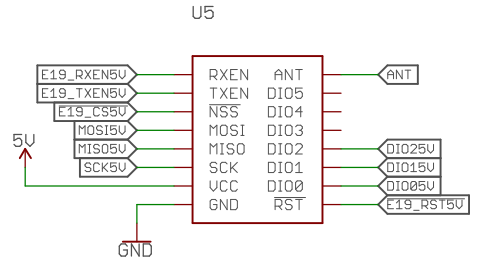
POWER
5.5x2.1mm Barrel



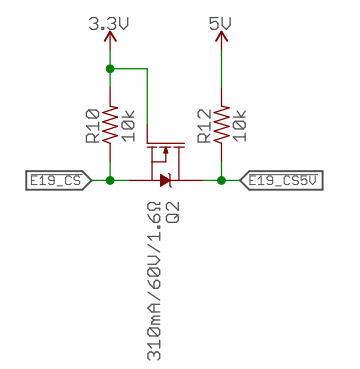
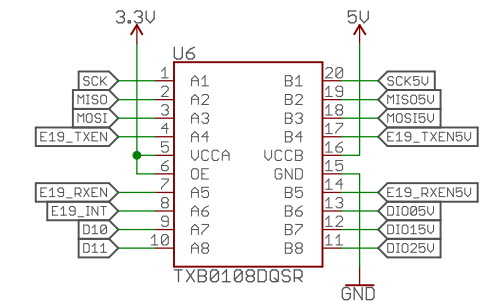
Solder this jumper if powering the board with UUSB and drawing more than 500 mA



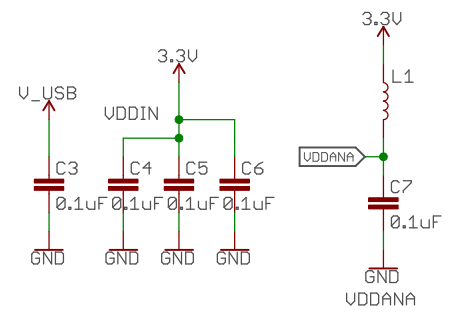
E19-915MS1W



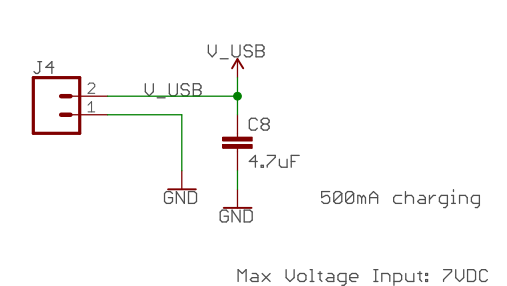
Level Shifters



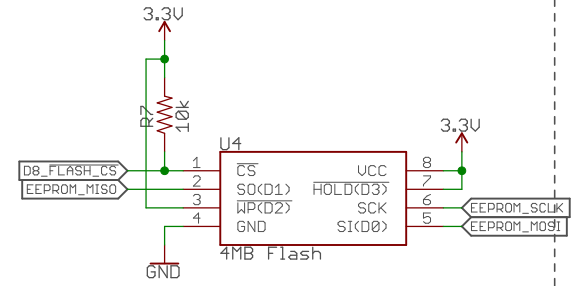
Decoupling



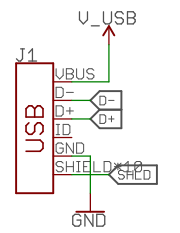
USB



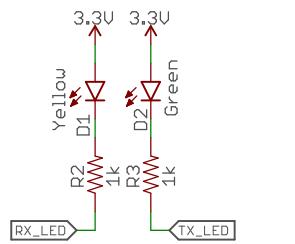
FLASH MEMORY



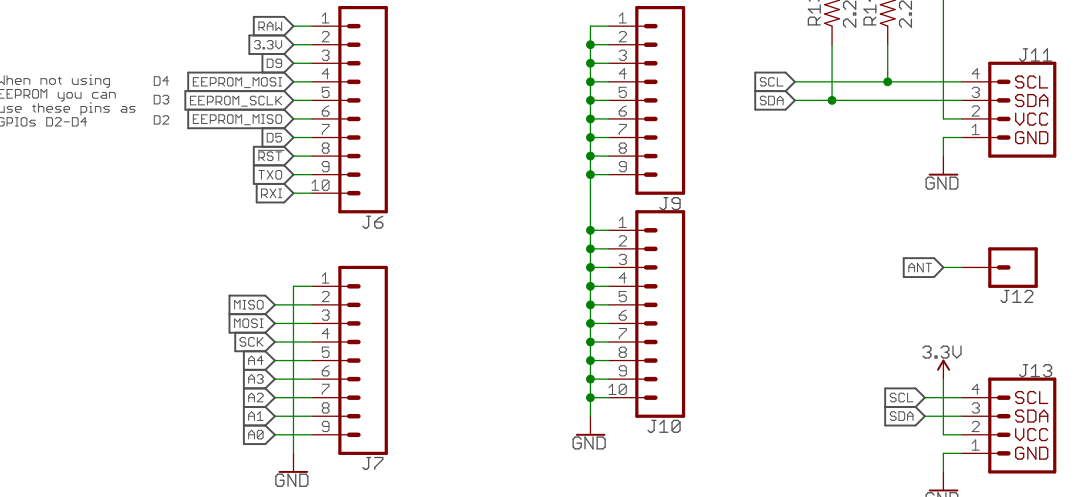
USB



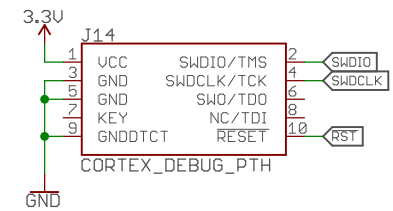
RX/TX LEDs



HEADERS/QWICC



PROGRAMMING HEADER



Released under the Creative Commons Attribution Share-Alike 4.0 License
<https://creativecommons.org/licenses/by-sa/4.0/>
 TITLE: SAMD21_Pro_RF_1W
 Design by: Elias Santistevan, Owen Lyke
 Date: 10/25/2018 10:20 AM
 Sheet: 1/1