

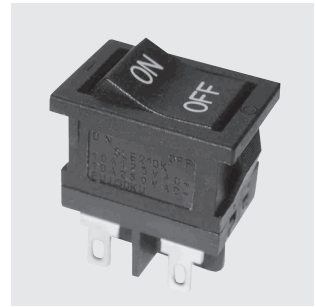
# SLE210K

Dust Proof

## Miniature Power Rocker Switches

C-US UL VDE SEMKO

RoHS Compliant



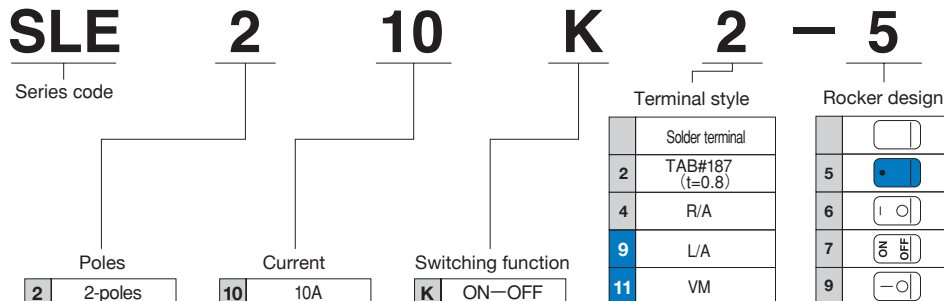
### Features

1. C-US UL , VDE and SEMKO approved products
2. Snap-in panel mounting
3. Compact size is suited for space-saving design.
4. Best suited for power supply of equipment.
5. Dust-proof type
6. 100 A rush current type.
7. Breaking distance is 3 mm or over.

### Specifications

Rating	Load	Inductive load				Resistive load
		125VAC		250VAC		
	Inrush current (p.f.=0.6)	100A	60A	100A	60A	10A 125VAC 10A 250VAC (p.f.=1.0)
Break current (p.f.=0.9)	10A	10A	10A	10A		
Min.	10mA 5VAC/DC (Resistive load)					
C-ULUS	6A 125VAC·6A 250VAC (Resistive load)					
Initial contact resistance	20mΩ max. (1A 1~2VDC)					
Initial dielectric strength	1500VAC 1 minute					
Initial insulation resistance	100MΩ min (500VDC)					
Electrical life(cycles)	5,000	10,000	5,000	10,000	10,000	
Operating force	3.92~12.7N					
Operating temperature range	-25~+85°C					
Storage temperature range	-40~+85°C					

### Part Numbering



### Marking Color

Frame color · Rocker color	Making color
Black	White

The black color is standard for the frame and the rocker.  
The gray and the ivory colors are also available as custom-made items.

### Handling Precautions

#### 1. Soldering Specifications

##### (1) Manual Soldering

Device : Soldering iron  
380°C, Max.; 5 seconds, Max.

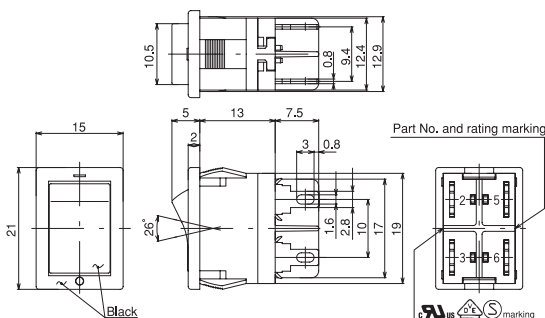
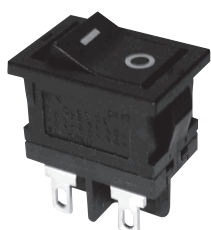
※ The tab terminals cannot be soldered.

Table of Part Numbers

Frame color and rocker color	Marking color	Switching function	Terminal styles	Part number and rating marking side				
Black	White	ON—OFF	Solder terminal	☆SLE210K	★SLE210K-5	SLE210K-6	★SLE210K-7	SLE210K-9
			#187 TAB	SLE210K2	SLE210K2-5	SLE210K2-6	SLE210K2-7	SLE210K2-9
			Right-angle	★SLE210K4	★SLE210K4-5	☆SLE210K4-6	★SLE210K4-7	▲SLE210K4-9
			Left-angle	▲SLE210K9	★SLE210K9-5	★SLE210K9-6	★SLE210K9-7	★SLE210K9-9
			Vertical mounting	▲SLE210K11	▲SLE210K11-5	★SLE210K11-6	☆SLE210K11-7	▲SLE210K11-9

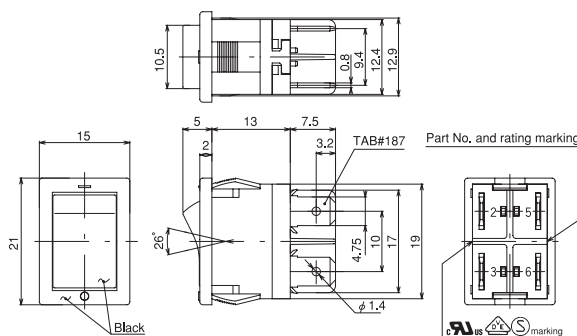
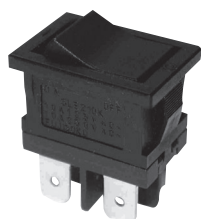
For custom-made products, we accept orders for indication of letters, codes, etc., on the top surface of rocker.

Solder terminal

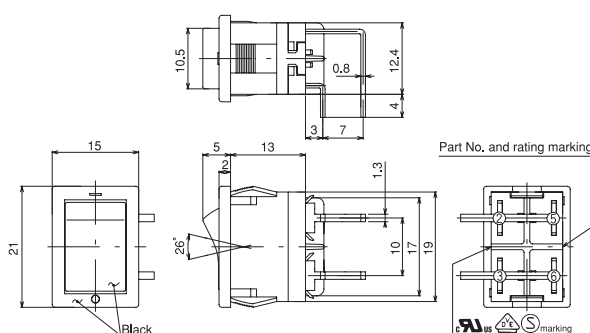
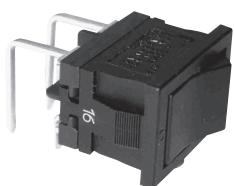


Part No.	Switching function	
	Viewed from part No. & rating marking side	
SLE210K		
Connecting terminals	2—3 5—6	—

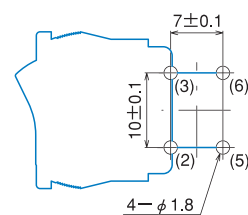
(t=0.8)  
TAB#187 Terminal



Right Angle Terminal

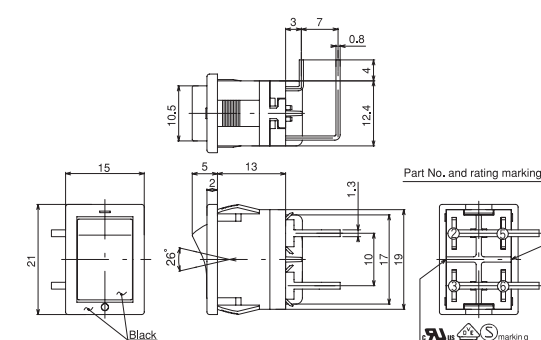
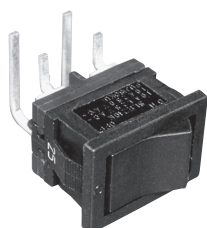


PC Hole Layouts (Top view)

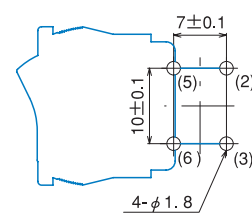


The blue lines show the outline of the switch.

Left Angle Terminal



PC Hole Layouts (Top view)



The blue lines show the outline of the switch.

▲ : Inquiry products.

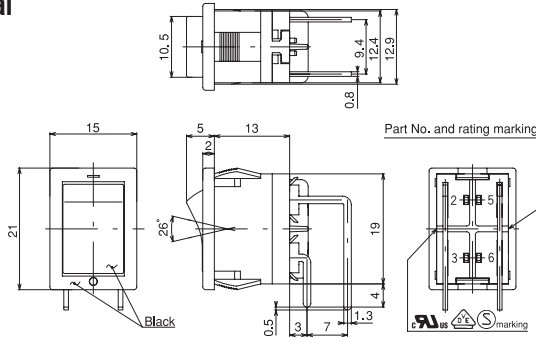
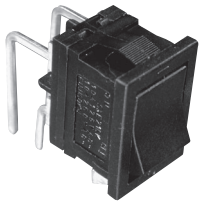
☆ : Semi-standard products.

★ : Made to order products.

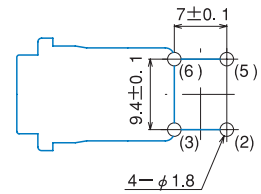
● Terminal numbers are shown on the bottom of the switch.

# SLE210K

## Vertical Mounting Terminal



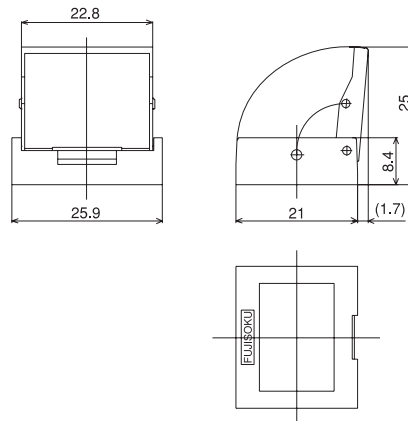
## PC Hole Layouts (Top view)



The blue lines show the outline of the switch.

## Switch Guard

Dedicated for use of rocker switches



## Features

Clear visibility and one-touch mounting to save labor

## Application

Best suited for protection of malfunction of miniature rocker switches (panel cutout: 19.2 x 12.9)

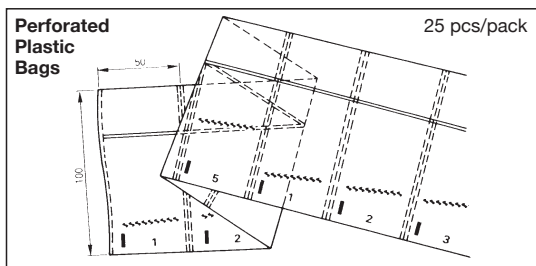
## Approvals

UL File No.E43275

VDE License No. 40000090

SEMKO File No. 1312457

## Packaging Specification



## Specifications

Part Name: Switch guard

Part Number: 140007250027

Color: Black (transparent cover)

An application switch	●SLE6	●SLE10
	●SL10K	●SLE210K

※The switch guard cannot be used for the SLE10K type.

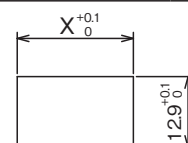
## Panel Cut-Out Dimensions

Switches

Panel thickness	X
0.75~1.25	19.2
1.25~2.0	19.4
2.0~3.0	19.8

Switch Guard Installation

Panel thickness	X
0.75~1.4	19.4
1.4~2.3	19.8



## PRECAUTIONS FOR PANEL MOUNTING