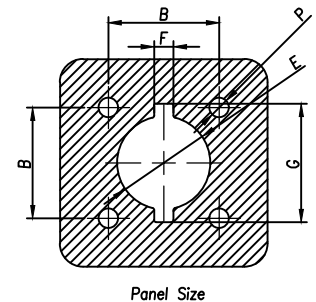
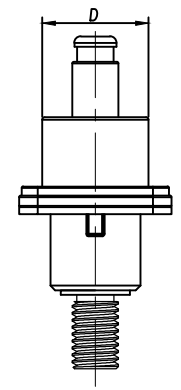
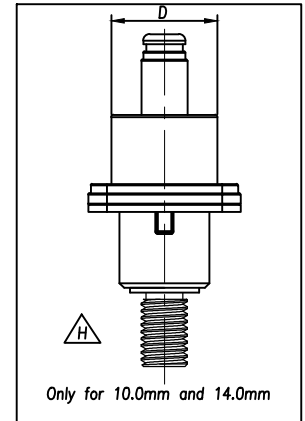
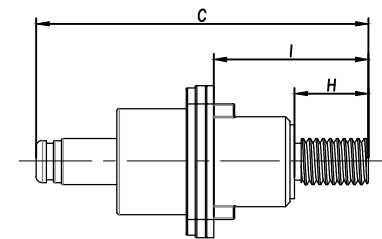
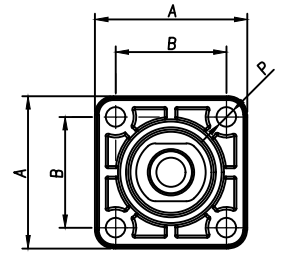
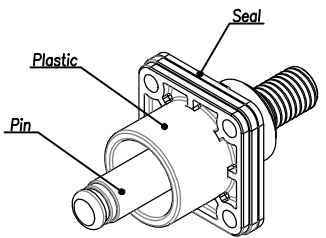


# CUSTOMER DRAWING

| REVISIONS |                                       |          |    |      |
|-----------|---------------------------------------|----------|----|------|
| REV       | DESCRIPTION                           | DATE     | BY | APPR |
| A         | INITIAL RELEASE                       | 12/12/13 | DH | EC   |
| B         | CHANGE THE STRUCTURE                  | 01/26/14 | DH | EC   |
| C         | CHANGE THE STRUCTURE                  | 02/07/14 | DH | EC   |
| D         | ADD TORQUE FORCE                      | 03/19/14 | DH | EC   |
| E         | ADD SIZE 14.0mm                       | 06/12/14 | DH | EC   |
| F         | CHANGE DIMENSION "E, G" FOR SIZE 14.0 | 09/15/14 | DH | EC   |
| G         | CHANGE 14.0mm SIZE                    | 03/19/15 | VF | EC   |
| H         | Add a view of 10.0 and 14.0           | 01/11/18 | KW | JG   |



Ordering Example:

RL 9 080 - 10 X - F1

RadLok \_\_\_\_\_  
 RadLok Pin \_\_\_\_\_  
 RadLok Size:  $\varnothing$ 8.0mm \_\_\_\_\_  
 Pin To Thread \_\_\_\_\_  
 Plating: 1 - Silver \_\_\_\_\_  
 2 - Tin \_\_\_\_\_  
 3 - Nickel \_\_\_\_\_  
 Feed Thru \_\_\_\_\_

| Specification |        |        |        |        |        |        |        |        |        |             |    |             |                                   |          |
|---------------|--------|--------|--------|--------|--------|--------|--------|--------|--------|-------------|----|-------------|-----------------------------------|----------|
| Size (mm)     | A (mm) | B (mm) | C (mm) | D (mm) | E (mm) | F (mm) | G (mm) | H (mm) | I (mm) | Thread      | P  | Current (A) | Ordering Number (XXX-For Plating) | Plating  |
| 3.6           | 21.0   | 14.0   | 43.9   | 11.9   | 11.9   | 2.8    | 15.2   | 8      | 22.2   | M4x0.7-6g   | M3 | 70          | RL9036-10X-F1                     | 1 Silver |
|               |        |        |        |        |        |        |        |        |        |             |    |             |                                   | 2 Tin    |
|               |        |        |        |        |        |        |        |        |        |             |    |             |                                   | 3 Nickel |
| 5.7           | 25.0   | 17.0   | 49.6   | 15.2   | 14.7   | 2.8    | 18.2   | 10     | 24.2   | M6x1.0-6g   | M4 | 120         | RL9057-10X-F1                     |          |
|               |        |        |        |        |        |        |        |        |        |             |    |             |                                   |          |
| 8.0           | 30.0   | 21.0   | 56.4   | 19.6   | 18.2   | 4.2    | 23.7   | 12     | 25.0   | M8x1.25-6g  | M4 | 200         | RL9080-10X-F1                     |          |
|               |        |        |        |        |        |        |        |        |        |             |    |             |                                   |          |
| 10.0          | 33.0   | 24.0   | 67.0   | 23.0   | 20.6   | 4.2    | 25.7   | 16     | 29.0   | M10x1.5-6g  | M4 | 300         | RL9100-10X-F1                     |          |
|               |        |        |        |        |        |        |        |        |        |             |    |             |                                   |          |
| 12.0          | 36.0   | 26.0   | 72.0   | 25.5   | 23.3   | 4.2    | 27.7   | 20     | 33.0   | M12x1.75-6g | M4 | 400         | RL9120-10X-F1                     |          |
|               |        |        |        |        |        |        |        |        |        |             |    |             |                                   |          |
| 14.0          | 37.0   | 27.0   | 83.0   | 28.0   | 27.3   | 4.2    | 31.8   | 23     | 36.0   | M12x1.75-6g | M4 | 500         | RL9140-10X-F1                     |          |

Note:  
The maximum thickness of recommended install panel is 3mm.

| Size(mm)           | 3.6     | 5.7   | 8.0     | 10.0 | 12.0 | 14.0 |
|--------------------|---------|-------|---------|------|------|------|
| Torque Force (N.m) | 2.5±0.2 | 4±0.4 | 7.5±0.5 | 20±1 | 24±1 | 32±1 |



Amphenol Technical Products International GZ

|                                    |             |                                      |            |             |  |
|------------------------------------|-------------|--------------------------------------|------------|-------------|--|
| 第三角投影<br>THIRD ANGLE<br>PROJECTION | 页面<br>SHEET | 幅面<br>SIZE                           | 版次<br>REV. | 比例<br>SCALE | PART NAME:<br>RADLOK® Feed Thru<br>Pin To Thread |
| 1 OF 2                             | A3          | H                                    |            |             | DWG NO:<br>See Table                             |
| 签名 SIGNATURE                       | 日期 DATE     | UNLESS OTHERWISE SPECIFIED           |            |             | DWG NO:  |
| 制图 DRAWN                           | KW          | 1) All dimensions are in metric(mm). |            |             | See Table  |
| 审核 CHECKED                         | SAW         | 2) Tolerances are as follows:        |            |             | CUST PART #:                                     |
| 批准 APPROVAL                        | JG          | 0 PL DEC ±1.00                       |            |             | N/A  |
|                                    |             | 1 PL DEC ±0.50                       |            |             | CUST REV.  |
|                                    |             | 2 PL DEC ±0.20                       |            |             | H  |
|                                    |             | Angles ±1°                           |            |             |  |


THIS DRAWING IS SUPPLIED FOR INFORMATION ONLY. DESIGN FEATURES, SPECIFICATIONS AND PERFORMANCE DATA SHOWN HEREON ARE THE PROPERTY OF THE AMPHENOL CORPORATION. NO RIGHTS OF REPRODUCTION ARE IMPLIED. ALL DIMENSIONS ARE SUBJECT TO NORMAL MANUFACTURING VARIATIONS.

# CUSTOMER DRAWING

| REVISIONS |                                       |          |    |      |
|-----------|---------------------------------------|----------|----|------|
| REV       | DESCRIPTION                           | DATE     | BY | APPR |
| A         | INITIAL RELEASE                       | 12/12/13 | DH | EC   |
| B         | CHANGE THE STRUCTURE                  | 01/26/14 | DH | EC   |
| C         | CHANGE THE STRUCTURE                  | 02/07/14 | DH | EC   |
| D         | ADD TORQUE FORCE                      | 03/19/14 | DH | EC   |
| E         | ADD SIZE 14.0mm                       | 06/12/14 | DH | EC   |
| F         | CHANGE DIMENSION "E, G" FOR SIZE 14.0 | 09/15/14 | DH | EC   |
| G         | CHANGE 14.0mm SIZE                    | 03/19/15 | VF | EC   |
| H         | Add a view of 10.0 and 14.0           | 01/11/18 | KW | JG   |

| Plating Type | R4 Size           | Description       | Part Number |              |             |
|--------------|-------------------|-------------------|-------------|--------------|-------------|
|              |                   |                   | Color:Black | Color:Orange | Color:Red   |
|              |                   |                   |             |              |             |
| Silver<br>镀银 | 3.6mm             | RL9036-101-F1 M4  | AC-HA000375 | AC-HA001613  | AC-HA001703 |
|              | 4.8mm             | RL9048-101-F1 M5  | AC-HA000376 | AC-HA001614  | AC-HA001704 |
|              | 5.7mm             | RL9057-101-F1 M6  | AC-HA000377 | AC-HA001615  | AC-HA001705 |
|              | 8.0mm             | RL9080-101-F1 M8  | AC-HA000378 | AC-HA001616  | AC-HA001706 |
|              | 9.1mm             | RL9091-101-F1 M9  | AC-HA000379 | AC-HA001617  | AC-HA001707 |
|              | 10.0mm            | RL9100-101-F1 M10 | AC-HA000380 | AC-HA001618  | AC-HA001708 |
|              | 12.0mm            | RL9120-101-F1 M12 | AC-HA000381 | AC-HA001619  | AC-HA001709 |
| Tin<br>镀锡    | 3.6mm             | RL9036-102-F1 M4  | AC-HA001014 | AC-HA001643  | AC-HA001733 |
|              | 4.8mm             | RL9048-102-F1 M5  | AC-HA001015 | AC-HA001644  | AC-HA001734 |
|              | 5.7mm             | RL9057-102-F1 M6  | AC-HA001016 | AC-HA001645  | AC-HA001735 |
|              | 8.0mm             | RL9080-102-F1 M8  | AC-HA001017 | AC-HA001646  | AC-HA001736 |
|              | 9.1mm             | RL9091-102-F1 M9  | AC-HA001018 | AC-HA001647  | AC-HA001737 |
|              | 10.0mm            | RL9100-102-F1 M10 | AC-HA001019 | AC-HA001648  | AC-HA001738 |
|              | 12.0mm            | RL9120-102-F1 M12 | AC-HA001020 | AC-HA001649  | AC-HA001739 |
| Nickel<br>镀镍 | 3.6mm             | RL9036-103-F1 M4  | AC-HA000324 | AC-HA001673  | AC-HA001763 |
|              | 4.8mm             | RL9048-103-F1 M5  | AC-HA000325 | AC-HA001674  | AC-HA001764 |
|              | 5.7mm             | RL9057-103-F1 M6  | AC-HA000326 | AC-HA001675  | AC-HA001765 |
|              | 8.0mm             | RL9080-103-F1 M8  | AC-HA000327 | AC-HA001676  | AC-HA001766 |
|              | 9.1mm             | RL9091-103-F1 M9  | AC-HA000328 | AC-HA001677  | AC-HA001767 |
|              | 10.0mm            | RL9100-103-F1 M10 | AC-HA000329 | AC-HA001678  | AC-HA001768 |
|              | 12.0mm            | RL9120-103-F1 M12 | AC-HA000330 | AC-HA001679  | AC-HA001769 |
| 14.0mm       | RL9140-103-F1 M12 | AC-HA000331       | AC-HA001680 | AC-HA001770  |             |

THIS DRAWING IS SUPPLIED FOR INFORMATION ONLY. DESIGN FEATURES, SPECIFICATIONS AND PERFORMANCE DATA SHOWN HEREON ARE THE PROPERTY OF THE AMPHENOL CORPORATION. NO RIGHTS OF REPRODUCTION ARE IMPLIED. ALL DIMENSIONS ARE SUBJECT TO NORMAL MANUFACTURING VARIATIONS.

|   |     |  |   |            |            |                      |
|---|-----|--|---|------------|------------|----------------------|
|  |     | Amphenol Technical Products International GZ |   |            |            |                      |
|   |     | 第三角投影<br>THIRD ANGLE<br>PROJECTION           | 页面<br>SHEET   | 幅面<br>SIZE | 版次<br>REV. | 比例<br>SCALE          |
| 签名 SIGNATURE  |     | 日期 DATE                                      | UNLESS OTHERWISE SPECIFIED<br>1) All dimensions are in metric(mm).<br>2) Tolerances are as follows:<br>0 PL DEC ±1.00<br>1 PL DEC ±0.50<br>2 PL DEC ±0.20 |            |            | DWG NO:<br>See Table |
| 制图 DRAWN  | KW  | 01/11/2018                                   | Angles ±1°  |            |            | CUST PART #:<br>N/A  |
| 审核 CHECKED  | SAM | 01/11/2018                                   |   |            |            | CUST REV.<br>H       |
| 批准 APPROVAL   | JG  | 01/11/2018                                   |   |            |            |                      |