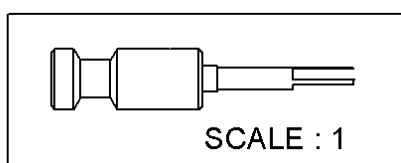
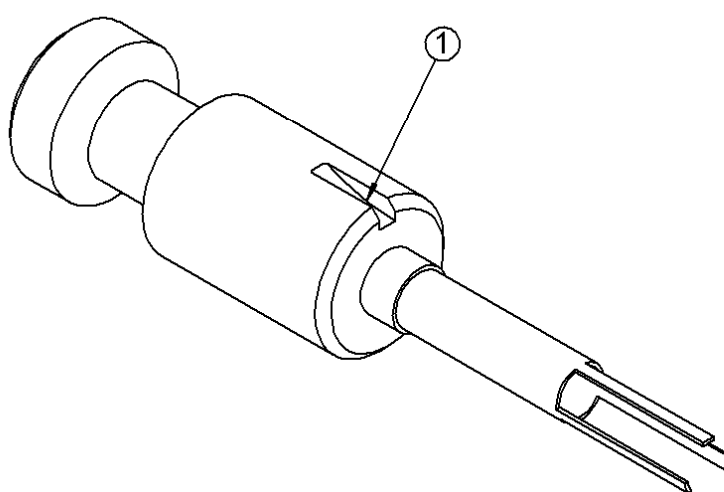
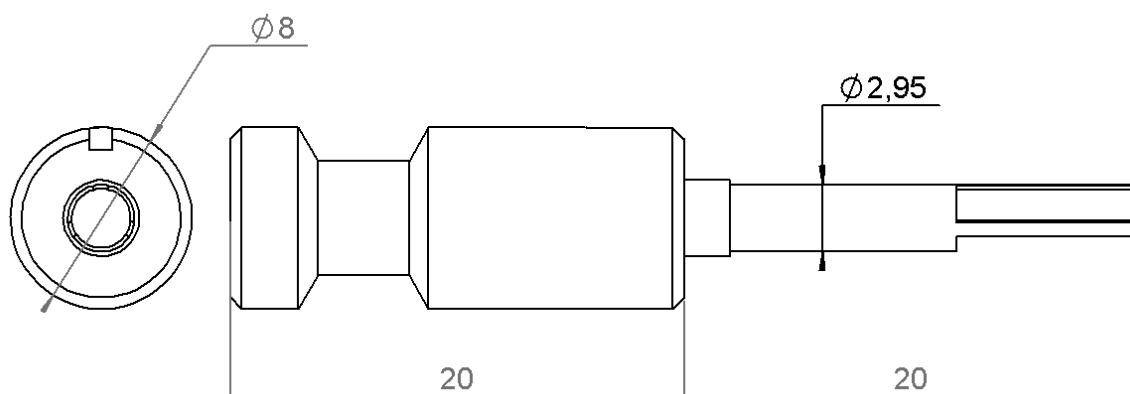


**EXTRACTION TIP**  
**FOR FEMALE COAXIPACK 2 MODULE**

**R282.920.120**

Series : **OUT**



Matériaux : STEEL.

Finish :Ni2

HOW TO USE : Present the extraction tool face to the coax cavity, be sure during inserting the tool that the marker 1 on the top of the tool.

Issue : 1125 C

In the effort to improve our products, we reserve the right to make changes judged to be necessary.

