

6

5

4

3

2

1

D

D

C

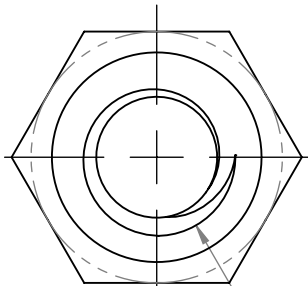
C

B

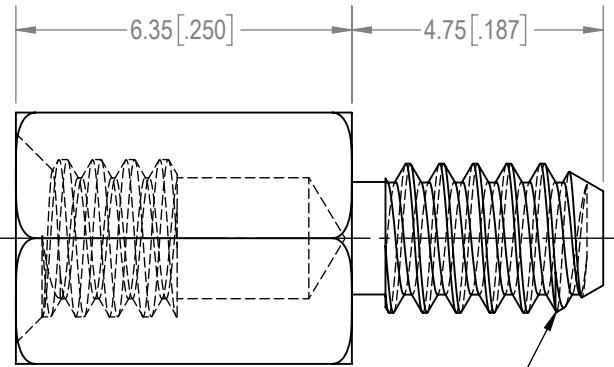
B

A

A

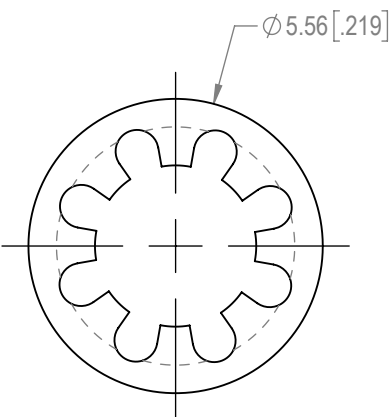
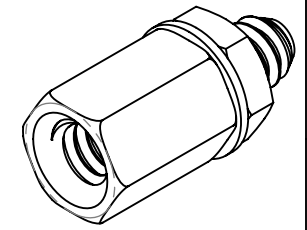
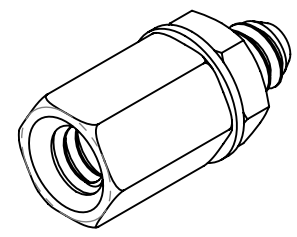


4-40 UNC-2B
THREAD

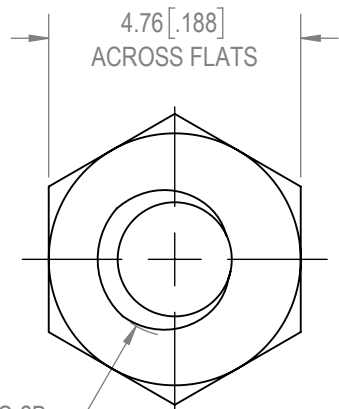
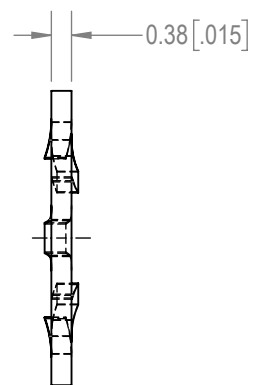


4-40 UNC-2A
THREAD

2X JACKSCREW SOCKET

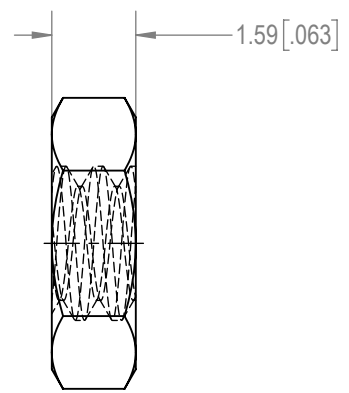


2X LOCKWASHER



4-40 UNC-2B
THREAD

2X HEX NUT



NOTES:

- MATERIALS AND FINISH:
 JACKSCREWS: BRASS, ZINC PLATE WITH CHROMATE SEAL.
 LOCK WASHERS: PHOSPHOR BRONZE, ZINC PLATE WITH CHROMATE SEAL.
 HEX NUTS: BRASS, ZINC PLATE WITH CHROMATE SEAL.
- DETAILED PRODUCT, MECHANICAL AND ELECTRICAL INFORMATION IS AVAILABLE IN THE LATEST D-SUB ACCESSORIES PRODUCT PUBLICATION AT CONNECTPOSITRONIC.COM.
- COMPONENTS ARE COMPLIANT TO THE CURRENT RoHS DIRECTIVE.

BY SB	CHK AP	3RD ANGLE 	POSITRONIC BELIEVES THE DATA ON THE DRAWING TO BE RELIABLE. THE USER EMPLOYS SUCH INFORMATION AT HIS OWN DISCRETION AND RISK. POSITRONIC ASSUMES NO RESPONSIBILITY FOR RESULTS OBTAINED OR DAMAGES INCURRED FROM USE OF SUCH INFORMATION IN WHOLE OR IN PART.	
APR AB	RELEASED DATE: 2022-11-17	SCALE NTS		
TOLERANCES ±0.03mm [0.01 INCHES] FOR MALE CONTACT MATING DIAMETERS ±0.08mm [0.003 INCHES] FOR CONTACT TERMINATION DIAMETERS ±0.13mm [0.005 INCHES] FOR ALL OTHER DIAMETERS ±0.38mm [0.015 INCHES] FOR ALL OTHER DIMENSIONS ±5° FOR ALL ANGLES DIMENSION ARE IN MILLIMETERS [INCHES]		PART NUMBER D00000T0/AA	SERIES D	
CREATED ON: 2022-11-17		SHEET SHEET 1 OF 1	REV A	

6

5

4

3

2

1