

THIS DRAWING IS UNPUBLISHED.

RELEASED FOR PUBLICATION

© COPYRIGHT - By -

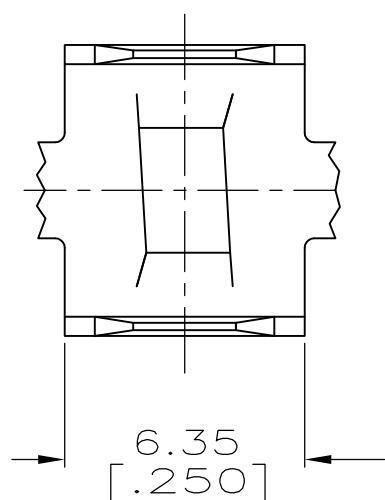
ALL RIGHTS RESERVED.

LOC
AF

DIST
50

REVISIONS

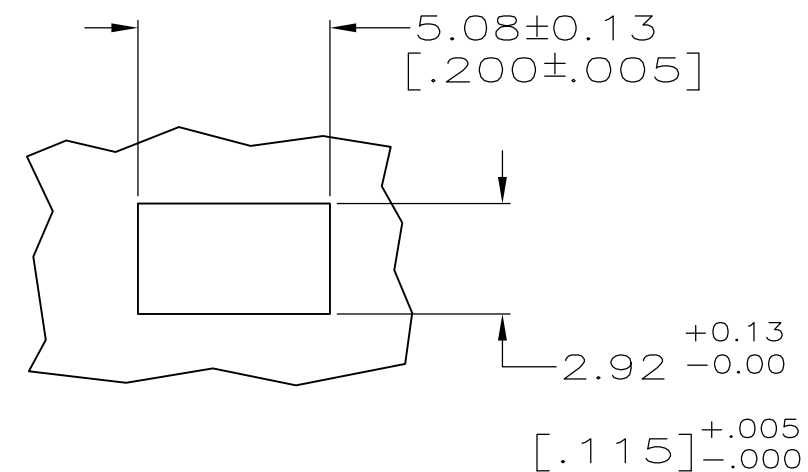
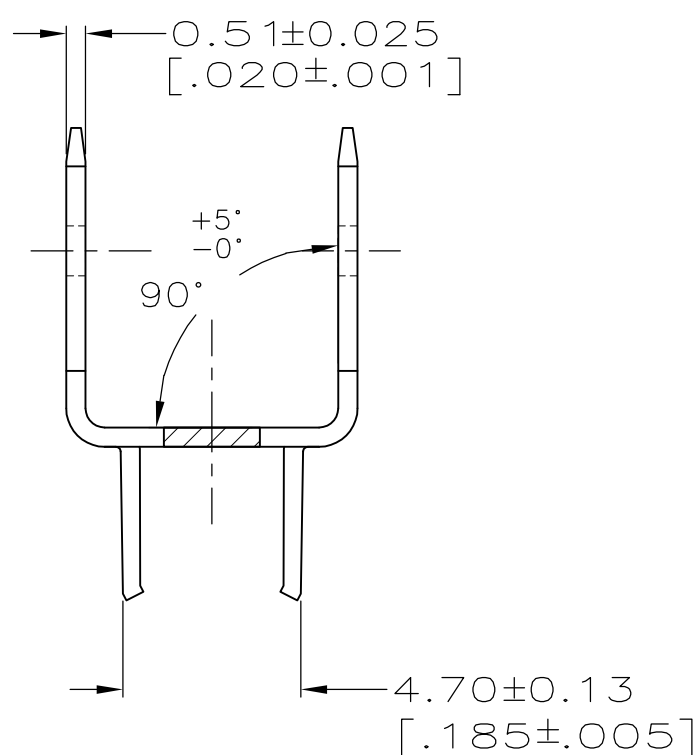
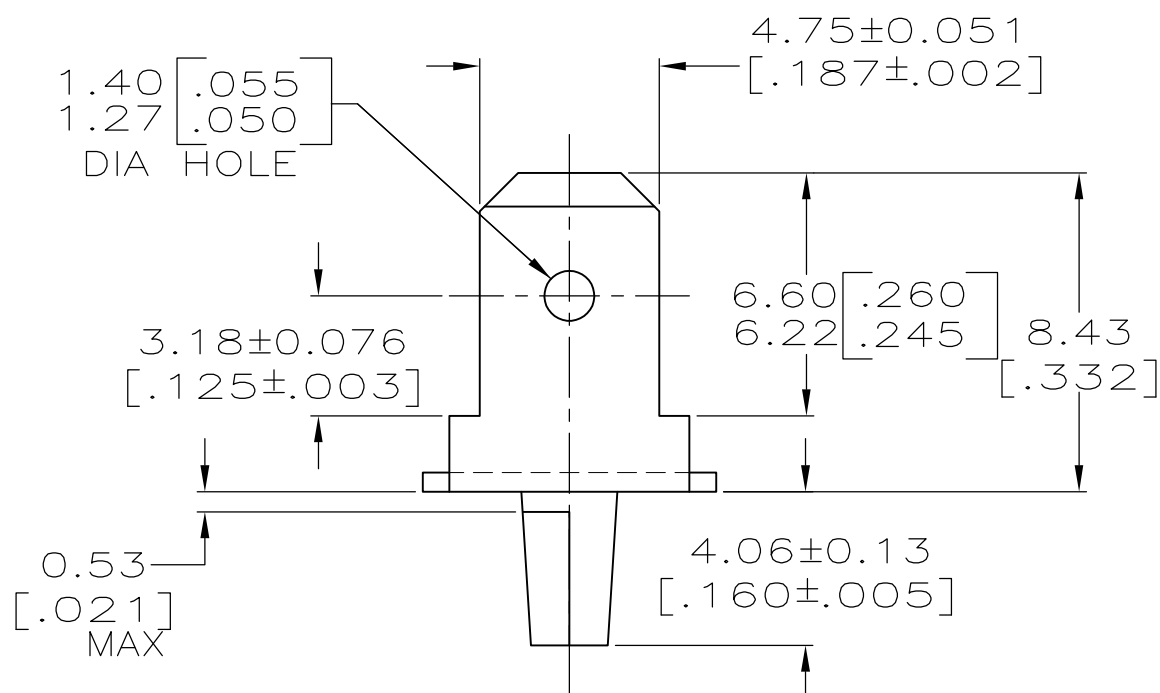
| P | LTR | DESCRIPTION | DATE | DWN | APVD |
|---|-----|---------------------------|-----------|-----|------|
| | F | REVISED PER ECR-13-011489 | 02DEC2013 | KH | PD |



1 CONTINUOUS STRIP ON REELS.




0.00381 [.000150] MIN PRE-TIN OVER
0.00254 [.000100] MIN COPPER.



HOLE SIZE
FOR 1.57 [.062]
THICK BOARD

63224-1
PART NO.

| | | | | | | |
|---|--|-----------------------------|---|--------------|--------------------|-----------------------|
| THIS DRAWING IS A CONTROLLED DOCUMENT. | | DWN JR RUTH 2/18/98 |  TE Connectivity | | | |
| DIMENSIONS: mm [INCHES] | | CHK MS FEHER 2/18/98 | | | | |
| TOLERANCES UNLESS OTHERWISE SPECIFIED: | | APVD J WORMAN 2/18/98 | NAME TAB, DUAL, FASTON, 4.75 [.187] SERIES | | | |
| 0 PLC ± - 1 PLC ± - 2 PLC ± 0.25 [.010] 3 PLC ± - 4 PLC ± - ANGLES ± - | | PRODUCT SPEC - | RESTRICTED TO - | | | |
| MATERIAL BRASS | | FINISH 2 | APPLICATION SPEC - | SIZE A3 | CAGE CODE 00779 | DRAWING NO C-63224 |
| CUSTOMER DRAWING | | | WEIGHT - | SCALE 5:1 | SHEET 1 OF 1 | REV F |