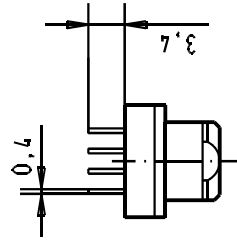
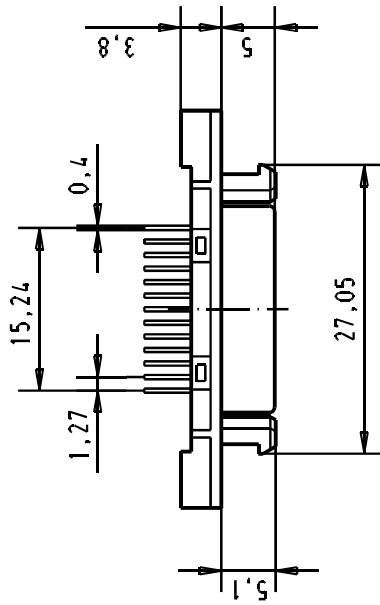
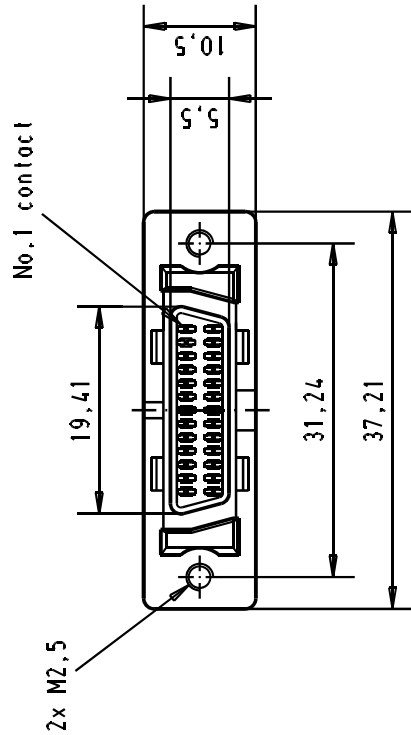
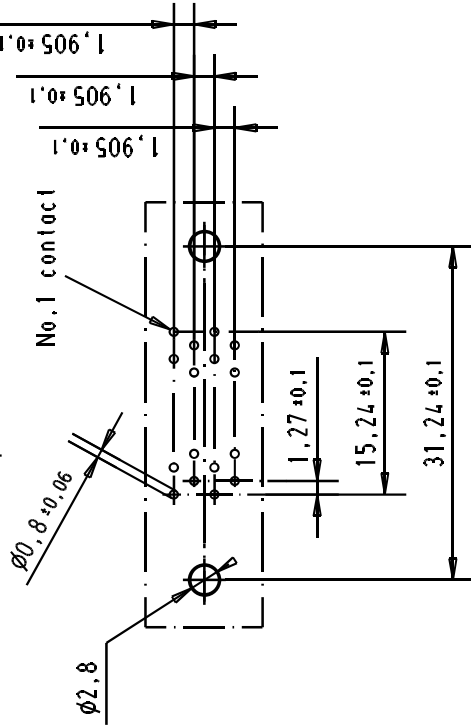


5 4 3 2 1

Printed board layout
Component side



Pages S4 plating
0,1 μmm Gold over 0,6 μmm Pallodium
over 1,5 μmm Nickel

| | | | | | | | | | |
|--------------------------------------|--|-------------------------------|--|---------------------------|--|--|--|----------------------------|--|
| Harting Logo | | HARTING EURL F-95972 Paris | | TB 60 01 026 5102 Sml. | | har,mik® I/O pin/socket 26 poles female connector with straight solder pins and fixed latching | | Mößstab/ Scale 1,5:1 | |
| All Dim. in mm Orig. Size DIN A 4 | | Name JB | | Del. 30-AUG-00 | | Insp. | | Blatt/ Page 1/1 | |
| Stand. | | Date | | Insp. | | Name | | | |
| 33101 19/09/05 AM | | 30-AUG-00 JB | | | | | | | |
| 27941 | | Del. | | | | | | | |
| Mdl. | | | | | | | | | |