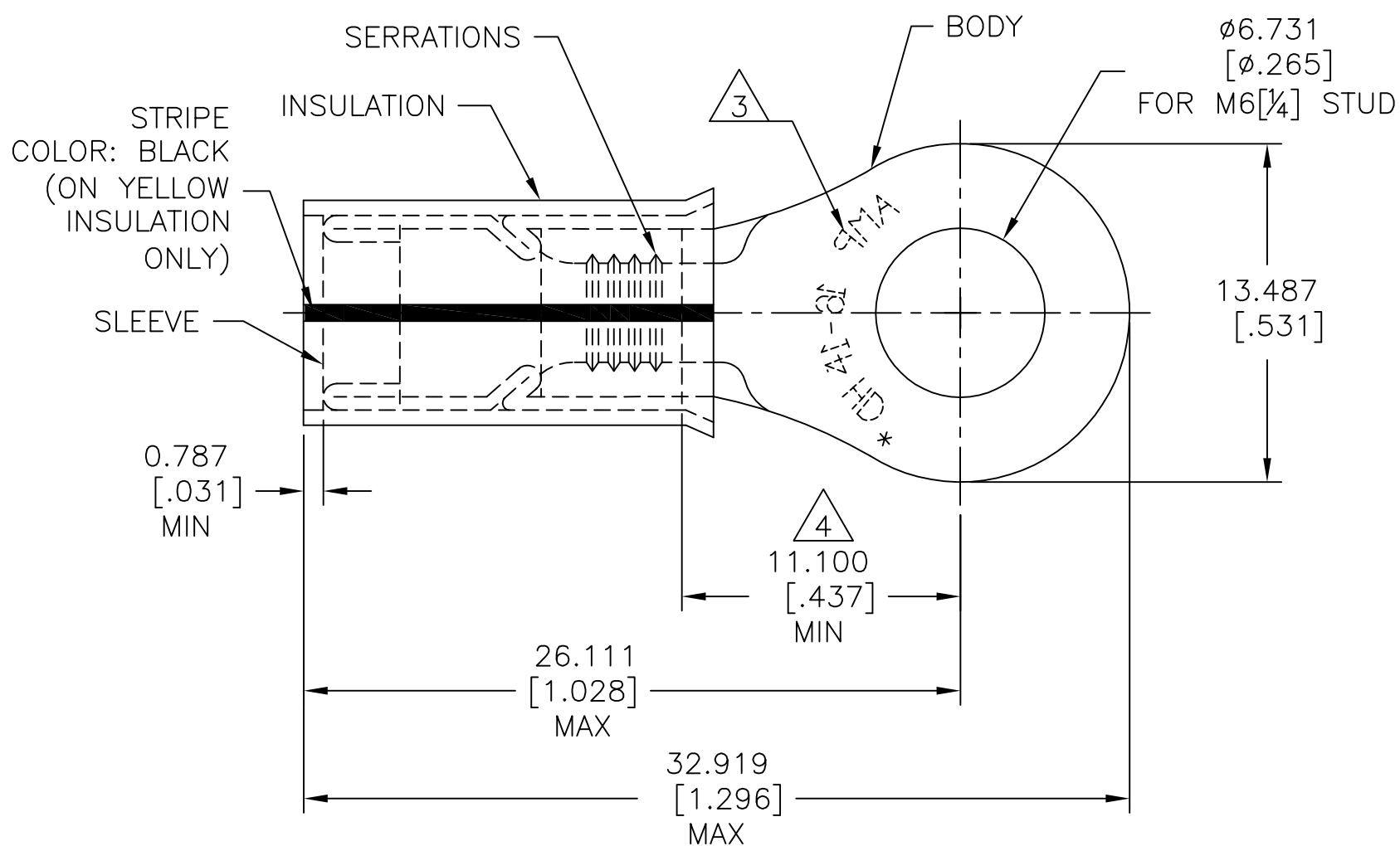


P	LTR	DESCRIPTION	DATE	DWN	APVD
	N1	REDRAWN PER ECO-17-007400	11DEC2017	RS	DR

<b>AMP</b> WIRE RANGE	Listed FILE E13288	LR7189 Certified
16-14 AWG SOLID OR STRANDED	16-14 AWG SOLID OR STRANDED	16-14 AWG SOLID OR STRANDED



- 1 FOR  $\phi 3.810[\phi.150]$  TO  $\phi 6.350[\phi.250]$  WIRE INSULATION.
- 2 BODY MATERIAL THICKNESS:  $1.219 \pm 0.051[.048 \pm .002]$
- 3 STAMP AMP 16-14 HD\* APPROX AS SHOWN.
- 4 APPLIES FROM EDGE OF METAL WIRE BARREL TO CENTER OF STUD HOLE.
- 5 MATERIAL:  
BODY & SLEEVE: COPPER ASTM B152  
INSULATION: NYLON
- 6 FINISH:  
BODY & SLEEVE: TIN PER ASTM B545  
INSULATION: SEE TABLE

QTY.	DESCRIPTION	FINISH	PART NO.
2500	34806 ON TAPE	INSULATION COLOR: YELLOW	2-34806-3
2500	2-34806-1 ON TAPE	INSULATION COLOR: BLUE	2-34806-2
500	LOOSE PIECE	INSULATION COLOR: YELLOW	34806

THIS DRAWING IS A CONTROLLED DOCUMENT.		DWN RAVI S 11DEC2017	TE Connectivity	
DIMENSIONS: mm [INCHES]		CHK ROHDE DANIEL F 11DEC2017		
TOLERANCES UNLESS OTHERWISE SPECIFIED:		APVD ROHDE DANIEL F 11DEC2017	NAME TERMINAL, PIDG-RING TOUNGE, WIRE SIZE: 16-14(HD)	
0 PLC ± -		PRODUCT SPEC UL 486 A-B	SIZE A3	
1 PLC ± -		APPLICATION SPEC 114-2157	CAGE CODE 00779	DRAWING NO C-34806
2 PLC ± -		WEIGHT -	RESTRICTED TO -	
3 PLC ± 0.127[.005]		CUSTOMER DRAWING		
4 PLC ± -		SCALE 4:1		
ANGLES ± -		SHEET 1 OF 1		
FINISH		REV N1		