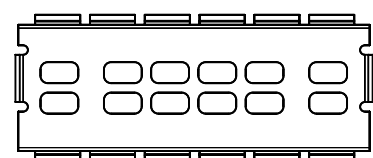
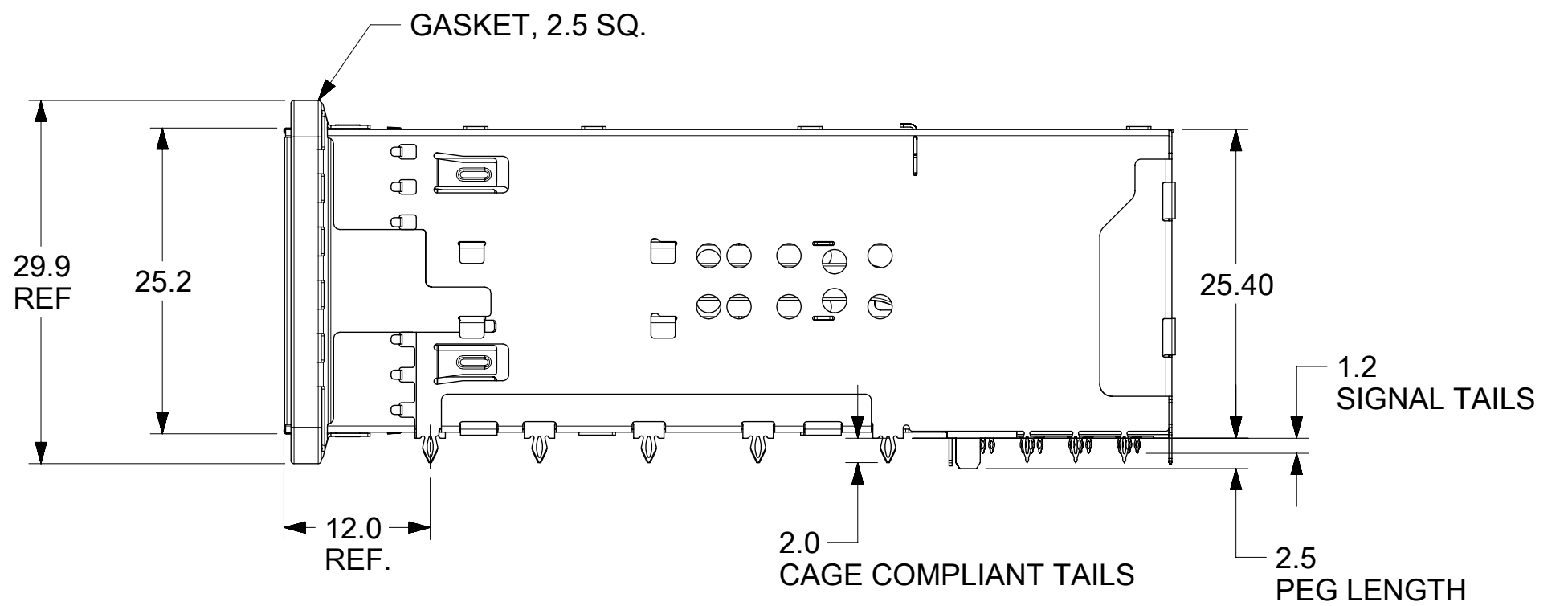
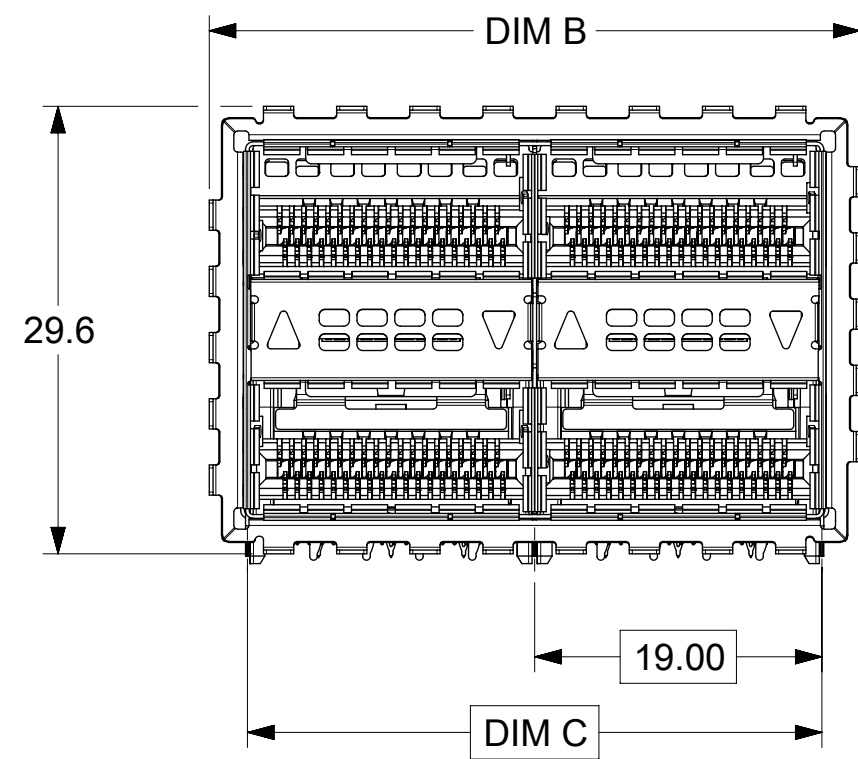
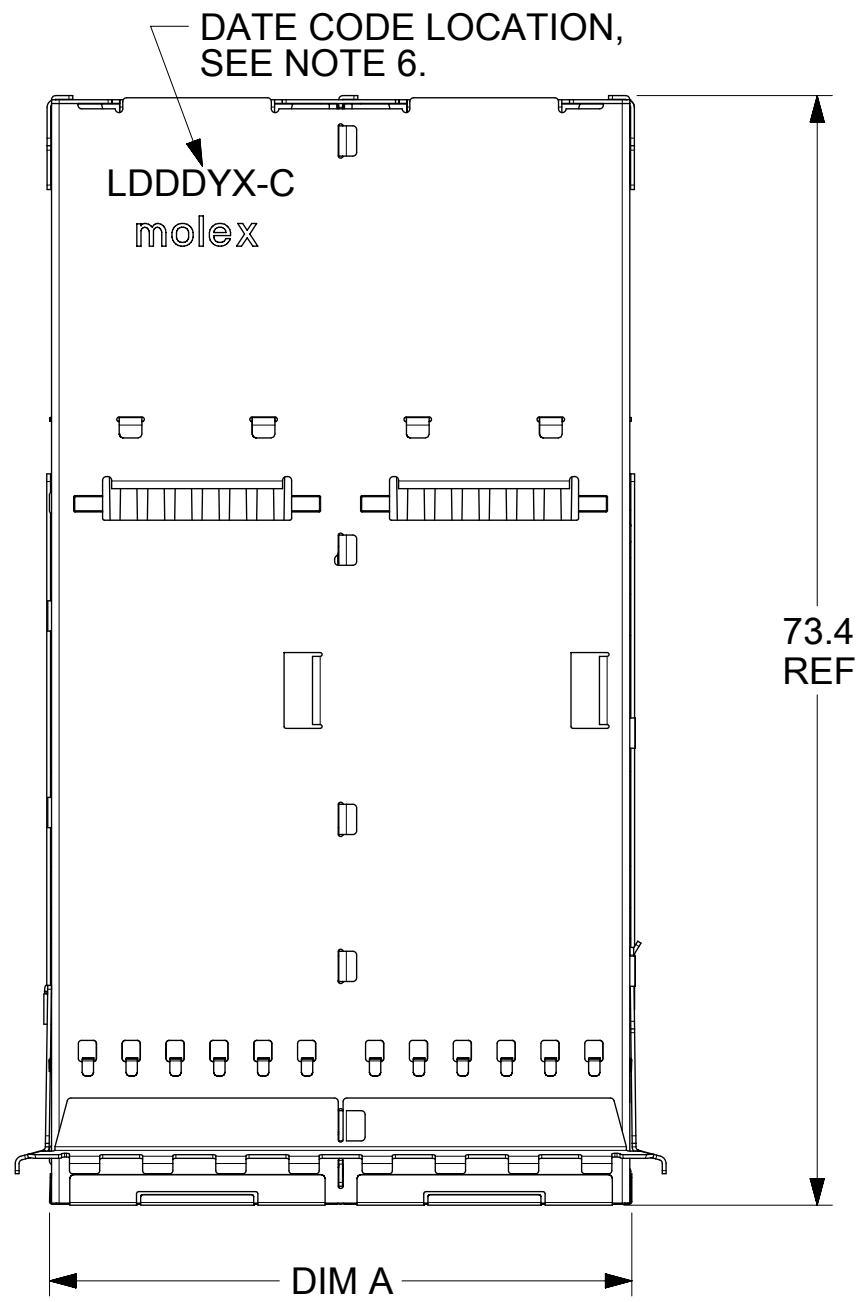
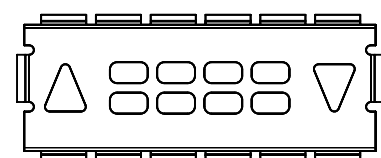


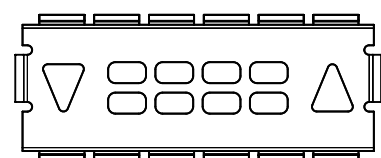
1715657202 SHOWN



P/N 171565-\*\*01  
AIRFLOW ONLY  
NO LIGHTPIPE



P/N 171565-\*\*02  
UP / DOWN LIGHTPIPE  
INDICATOR



P/N 171565-\*\*03  
DOWN / UP LIGHTPIPE  
INDICATOR

PORT SIZE	PART NUMBER	DIM 'A'	DIM 'B'	DIM 'C'
2X1	171565-710*	19.5	24.1	19.00
2X2	171565-720*	38.5	43.1	38.00
2X3	171565-730*	57.5	62.1	57.00

\* - DESIGNATES FRONT PLATE OPTIONS

NOTES:

- MATERIAL:
  - CAGE: NICKEL SILVER, 0.25 THICK
  - EMI STRAPS: COPPER ALLOY, 0.08 THICK
  - GASKET: SILICONE
  - LIGHT PIPES (OPTIONAL): POLYCARBONATE (PER TELCORDIA-GR-63-CORE-ISSUE3, SECTION 4.2.3.1; R4-43, DISCRETE STRUCTURAL COMPONENTS CONSTITUTING A FUEL LOAD OF 1 GRAM OR LESS ARE EXEMPT FROM THE REQUIREMENTS OF R4-43 (91); UL 94V-0 RATING)
  - CONNECTOR HOUSING: HIGH PERFORMANCE THERMOPLASTIC, 94V-0
  - TERMINALS: HIGH PERFORMANCE COPPER ALLOY, 0.18 THICK
- FINISH:
  - SPRING FINGERS: 0.5µm NICKEL OVERALL
  - GASKET: SILVER
  - TERMINALS: CONTACT AREA: 0.76µm MIN GOLD OVER 2.5µm MIN NICKEL. COMPLIANT AREA: 0.76-1.52µm MATTE TIN OVER 1.27µm MIN NICKEL.
- ALL SURFACES TO BE CLASS 'C' OR BETTER PER MOLEX COSMETIC SPECIFICATION PS-45499-002.
- REFER TO PK-171565-0001 FOR PACKAGING SPECIFICATIONS.
- CONNECTOR INTENDED TO MATE WITH PLUG CABLE SERIES 74757 AND 74758.
- DATE CODE LOCATION SHOWN, DATE CODE FORMAT: LDDDYX-C
  - L: MOLEX INTERNAL CONTROL
  - DDD: DAY OF THE YEAR
  - Y: LAST DIGIT OF YEAR
  - X: MOLEX INTERNAL CONTROL
  - C: SUB-MODULE PER CUSTOMER'S REQUEST

FUNCTIONAL SYMBOLS FA = 0 FC = 0 FP = 0	THIS DRAWING CONTAINS INFORMATION THAT IS PROPRIETARY TO MOLEX ELECTRONIC TECHNOLOGIES, LLC AND SHOULD NOT BE USED WITHOUT WRITTEN PERMISSION			
	DIMENSION UNITS: mm		SCALE: 2:1	
	CURRENT REV DESC: SEE REVISION HISTORY			
	GENERAL TOLERANCES (UNLESS SPECIFIED)			
DIVISIONAL SYMBOLS	4 PLACES	±	mm	±
	3 PLACES	±	mm	±
	2 PLACES	±	0.13	±
	1 PLACE	±	0.25	±
0 PLACES	±	mm	±	
ANGULAR TOL	±	0.5 °		
DRAFT WHERE APPLICABLE MUST REMAIN WITHIN DIMENSIONS		THIRD ANGLE PROJECTION		DRAWING: C-SIZE
SERIES: 171565		MATERIAL NUMBER: SEE P/N TABLE		CUSTOMER: CISCO

EC NO: 728470		2022/11/14	
DRWN: SYANG16		2022/11/15	
CHK'D: BARWANKAR		2022/11/15	
APPR: BARWANKAR		2022/11/15	
INITIAL REVISION:			
DRWN: JKACHLIC		2012/08/23	
APPR: MBANAKIS		2012/08/30	
DOCUMENT NUMBER: 1715657000		DOC TYPE: PSD	DOC PART: ASY
SHEET NUMBER: 1 OF 5		REVISION: A	

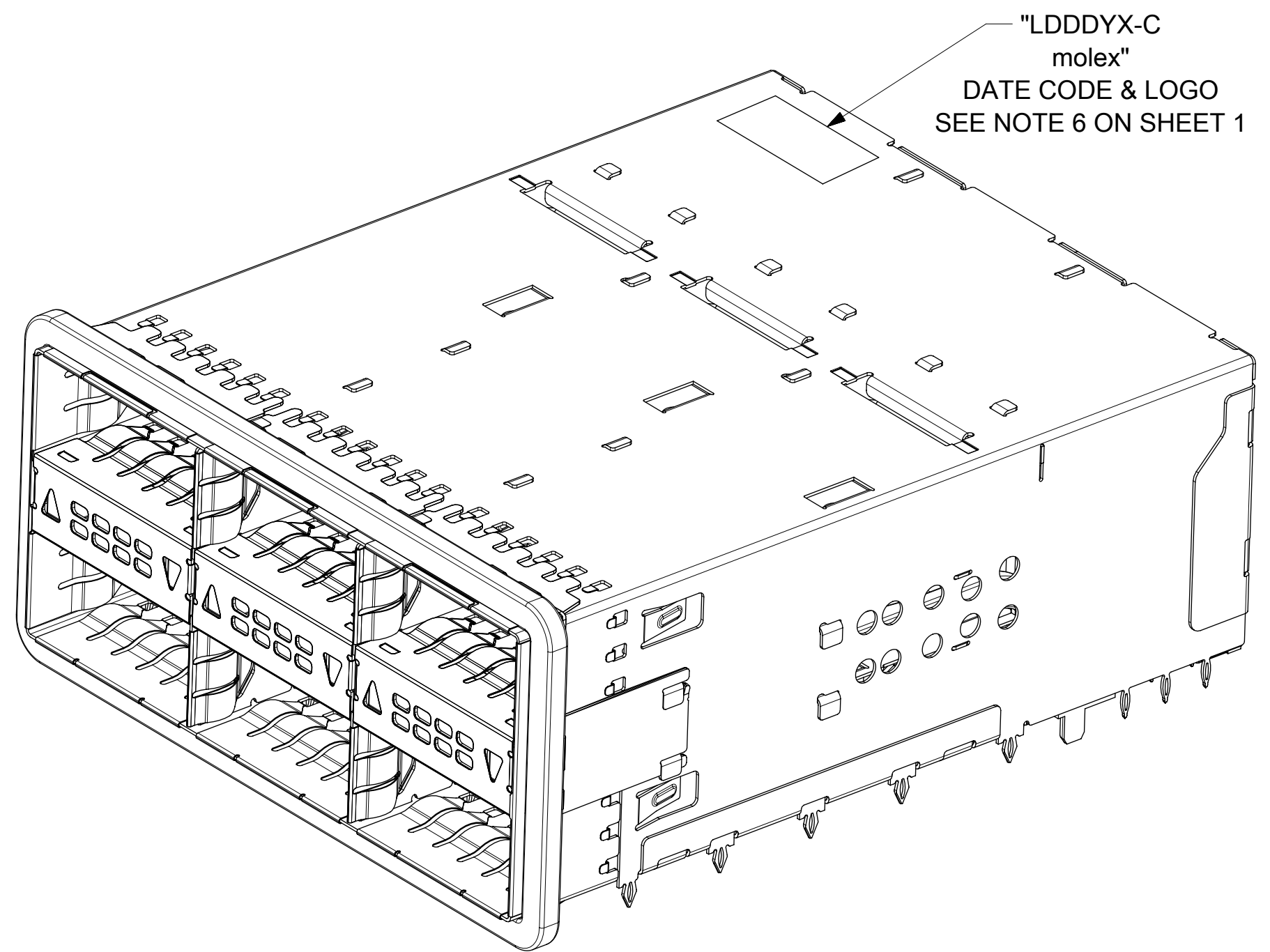
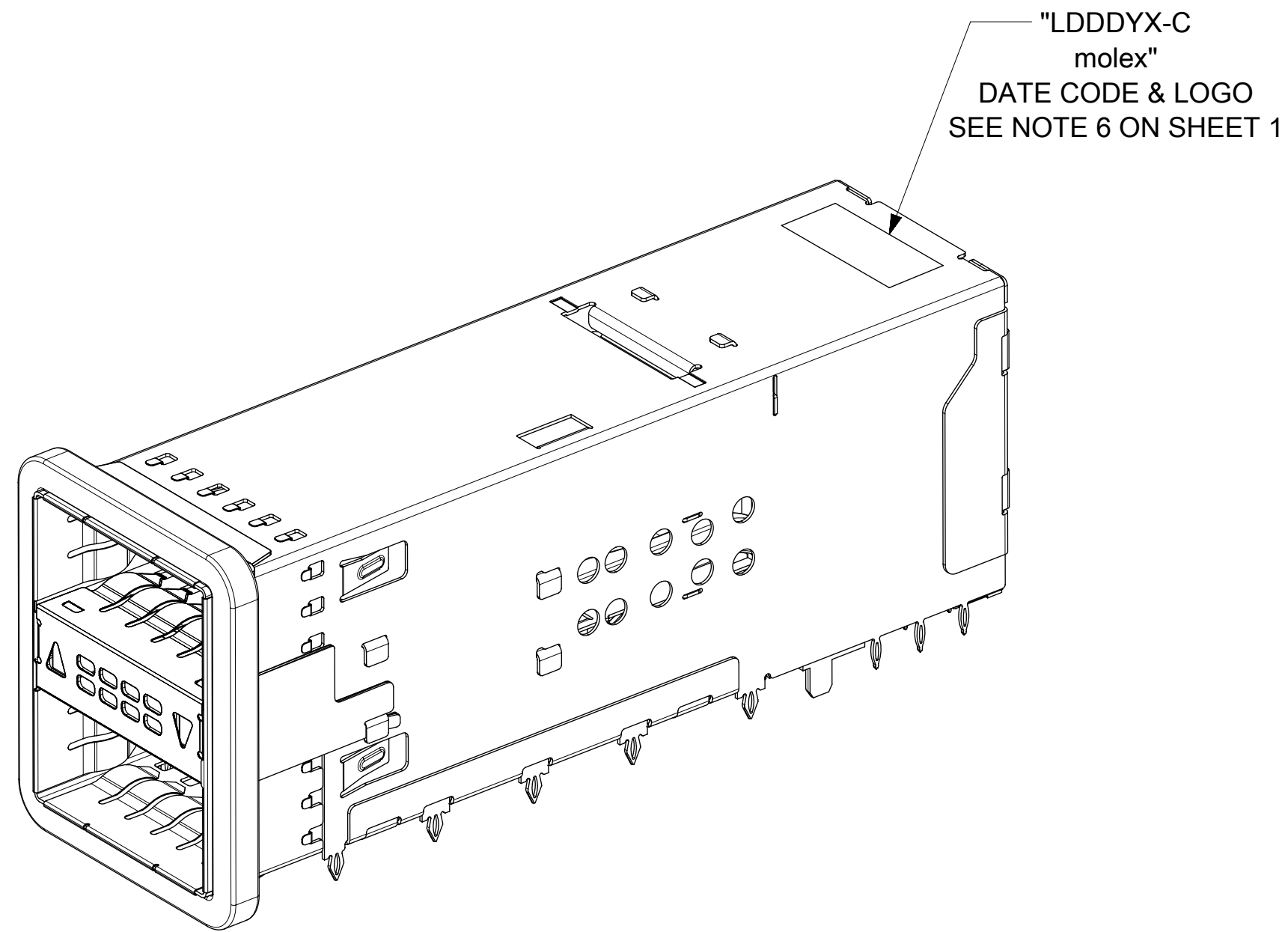
**molex**

ZQSFP+ STACKED ASSY  
W/ELASTOMERIC GASKET

PRODUCT CUSTOMER DRAWING

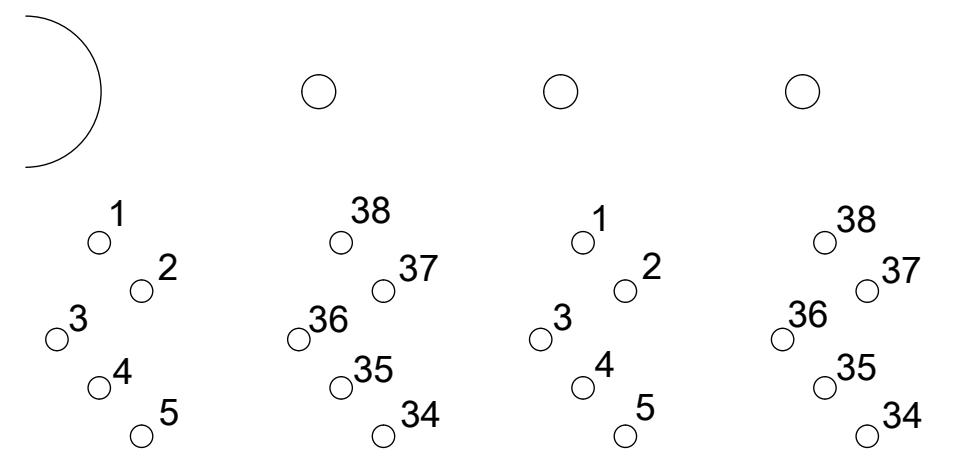
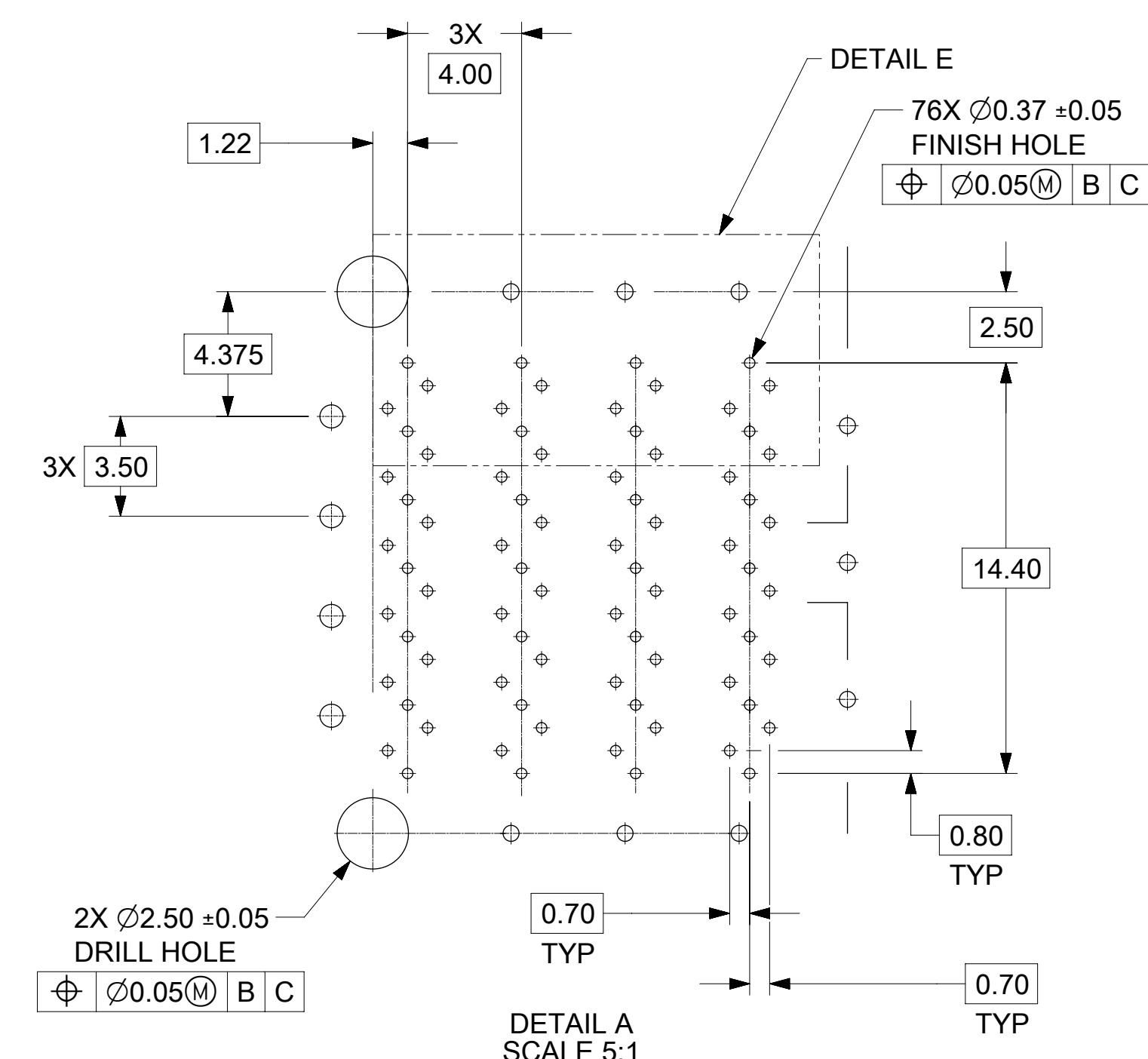
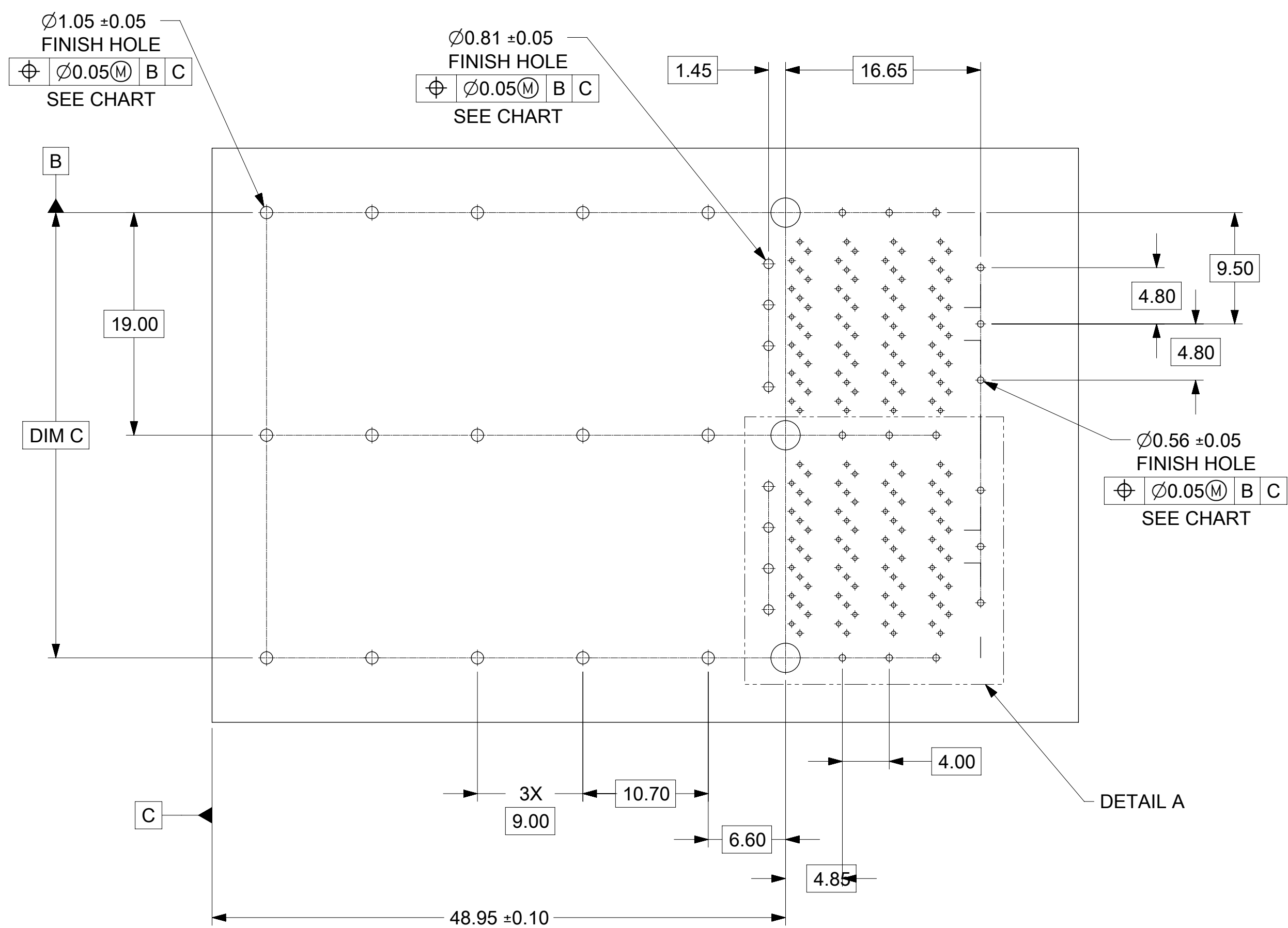
1715657102 SHOWN

1715657302 SHOWN



FUNCTIONAL SYMBOLS	THIS DRAWING CONTAINS INFORMATION THAT IS PROPRIETARY TO MOLEX ELECTRONIC TECHNOLOGIES, LLC AND SHOULD NOT BE USED WITHOUT WRITTEN PERMISSION									
	DIMENSION UNITS		SCALE		CURRENT REV DESC: SEE REVISION HISTORY					
$\frac{F}{A} = 0$	mm		2.5:1			<b>molex</b> ZQSFP+ STACKED ASSY W/ELASTOMERIC GASKET				
$\frac{F}{C} = 0$	GENERAL TOLERANCES (UNLESS SPECIFIED)									
DIVISIONAL SYMBOLS			MM	INCH	EC NO: 728470 DRWN: SYANG16 2022/11/14 CHK'D: BARWANKAR 2022/11/15 APPR: BARWANKAR 2022/11/15 INITIAL REVISION: DRWN: DRAWN BY 0099/99/99 APPR: APPR BY 0099/99/99					
	4 PLACES	±	±							
	3 PLACES	±	±							
	2 PLACES	± 0.13	±							
	1 PLACE	± 0.25	±							
0 PLACES	±	±								
	ANGULAR TOL		± 0.5 °			PRODUCT CUSTOMER DRAWING DOCUMENT NUMBER: 1715657000 DOC TYPE: PSD DOC PART: ASY REVISION: A				
DRAFT WHERE APPLICABLE MUST REMAIN WITHIN DIMENSIONS		THIRD ANGLE PROJECTION		DRAWING	SERIES	MATERIAL NUMBER	CUSTOMER	SHEET NUMBER		
				C-SIZE	171565	SEE P/N TABLE	CISCO	2 OF 5		

DOCUMENT STATUS	P1	RELEASE DATE	2022/11/15	09:38:04
-----------------	----	--------------	------------	----------



LOWER PORT  
UPPER PORT  
DETAIL E  
SCALE 8:1  
PIN ASSIGNMENTS

PORT SIZE	DIM C	Ø1.05 PTH QUANTITY	Ø0.56 PTH QUANTITY	Ø0.81 PTH QUANTITY
2X1	19.00	10	9	4
2X2	38.00	15	15	8
2X3	57.00	20	21	12

FUNCTIONAL SYMBOLS FA = 0 FC = 0 FP = 0	THIS DRAWING CONTAINS INFORMATION THAT IS PROPRIETARY TO MOLEX ELECTRONIC TECHNOLOGIES, LLC AND SHOULD NOT BE USED WITHOUT WRITTEN PERMISSION									
	DIMENSION UNITS		SCALE		CURRENT REV DESC: SEE REVISION HISTORY					
	mm		3:1		<p>EC NO: 728470  DRWN: SYANG16  CHK'D: BARWANKAR  APPR: BARWANKAR</p> <p>INITIAL REVISION:  DRWN: JKACHLIC  APPR: MBANAKIS</p>					
	GENERAL TOLERANCES (UNLESS SPECIFIED)									
DIVISIONAL SYMBOLS		MM	INCH	2022/11/14		2022/11/15		2022/11/15		
4 PLACES		±	±	2022/08/23		2022/08/30		2022/08/30		
3 PLACES		±	±	2022/08/23		2022/08/30		2022/08/30		
2 PLACES		± 0.13	±	2022/08/23		2022/08/30		2022/08/30		
1 PLACE		± 0.25	±	2022/08/23		2022/08/30		2022/08/30		
0 PLACES		±	±	2022/08/23		2022/08/30		2022/08/30		
ANGULAR TOL		± 0.5 °		2022/08/23		2022/08/30		2022/08/30		
DRAFT WHERE APPLICABLE MUST REMAIN WITHIN DIMENSIONS		THIRD ANGLE PROJECTION		DRAWING		SERIES		MATERIAL NUMBER		
				C-SIZE		171565		SEE P/N TABLE		
				CUSTOMER		CISCO		SHEET NUMBER		
								3 OF 5		

**molex**

ZQSFP+ STACKED ASSY  
W/ELASTOMERIC GASKET

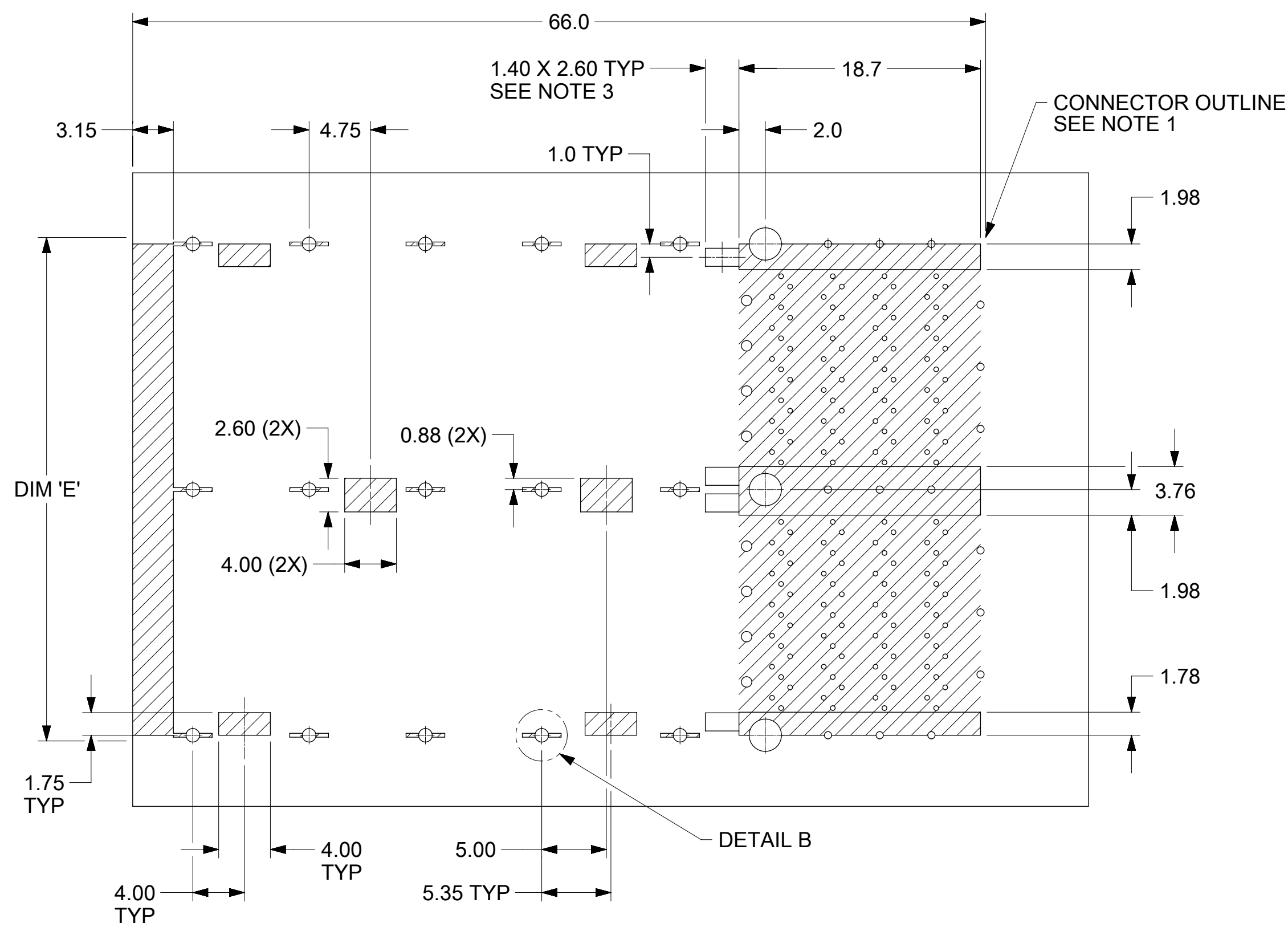
PRODUCT CUSTOMER DRAWING

DOCUMENT NUMBER  
**1715657000**

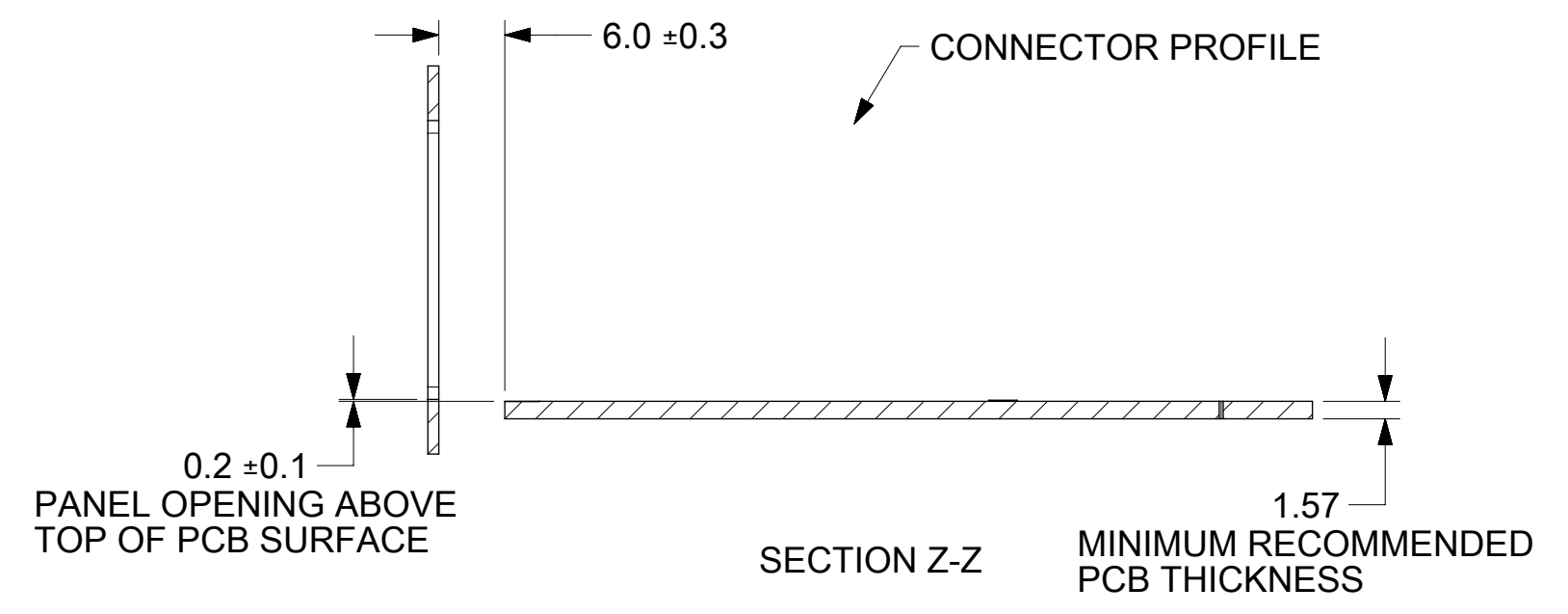
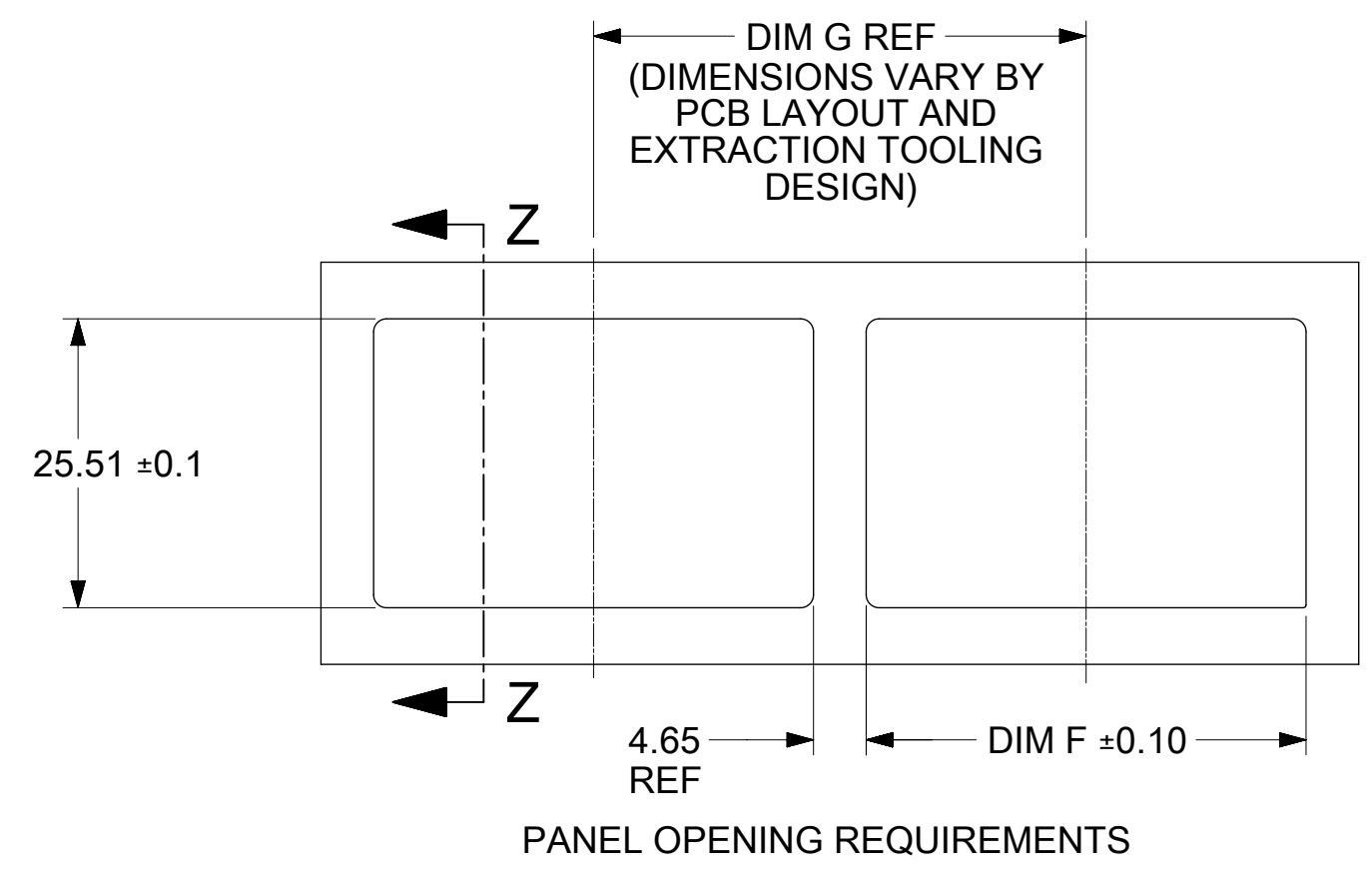
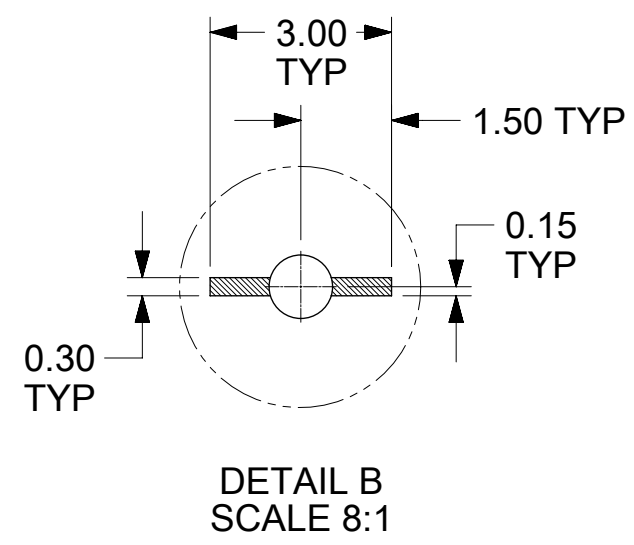
DOC TYPE  
PSD

DOC PART  
ASY

REVISION  
**A**



PORT SIZE	DIM 'E'	DIM 'F'	DIM 'G'
2X1	19.5	19.85	24.50
2X2	38.5	38.85	43.50
2X3	57.5	57.85	62.50



- NOTES:**
1. THE ENTIRE AREA UNDER THE CONNECTOR IS A KEEP OUT ZONE FOR COMPONENTS AND TRACES, TOP LAYER ONLY, EXCEPT FOR CHASSIS GROUND.
  2. CROSS-HATCHED AREAS INDICATE PLACES WHERE THE PLASTIC HOUSING AND METAL CAGE MAY CONTACT PCB SURFACE. THESE AREAS ARE KEEP OUT ZONES. CROSS-HATCHED AREA UNDER THE CONNECTOR ARE TRACE AND VIA KEEP OUT AREAS FOR THE TOP LAYER.
  3. THESE RECTANGULAR ZONES ARE FOR LED PLACEMENT. LED HEIGHT SHOULD NOT EXCEED 0.8 AND PLACEMENT SHOULD BE CENTERED WITHIN THIS LED KEEP-IN ZONE.
  4. RECOMMENDED LED CHIP PACKAGE SIZE IS 0805.

<b>FUNCTIONAL SYMBOLS</b> $F_A = 0$ $F_C = 0$ $F_P = 0$ <b>DIVISIONAL SYMBOLS</b>	THIS DRAWING CONTAINS INFORMATION THAT IS PROPRIETARY TO MOLEX ELECTRONIC TECHNOLOGIES, LLC AND SHOULD NOT BE USED WITHOUT WRITTEN PERMISSION											
	DIMENSION UNITS		SCALE		CURRENT REV DESC: SEE REVISION HISTORY							
	mm		1:1									
	GENERAL TOLERANCES (UNLESS SPECIFIED)										<b>ZQSFP+ STACKED ASSY W/ELASTOMERIC GASKET</b>  PRODUCT CUSTOMER DRAWING  DOCUMENT NUMBER: <b>1715657000</b> DOC TYPE: PSD    DOC PART: ASY    REVISION: A  MATERIAL NUMBER: SEE P/N TABLE    CUSTOMER: CISCO    SHEET NUMBER: 4 OF 5	
		MM	INCH	EC NO: 728470		2022/11/14						
4 PLACES		±	±	DRWN: SYANG16		2022/11/15						
3 PLACES		±	±	CHK'D: BARWANKAR		2022/11/15						
2 PLACES		±	0.13	±	APPR: BARWANKAR		2022/11/15					
1 PLACE		±	0.25	±	INITIAL REVISION:							
0 PLACES		±		±	DRWN: JKACHLIC		2012/08/23					
ANGULAR TOL		±	0.5	°	APPR: MBANAKIS		2012/08/30					
DRAFT WHERE APPLICABLE MUST REMAIN WITHIN DIMENSIONS				THIRD ANGLE PROJECTION		DRAWING		SERIES		SHEET NUMBER		
						C-SIZE		171565		4 OF 5		

H  
G  
F  
E  
D  
C  
B  
A

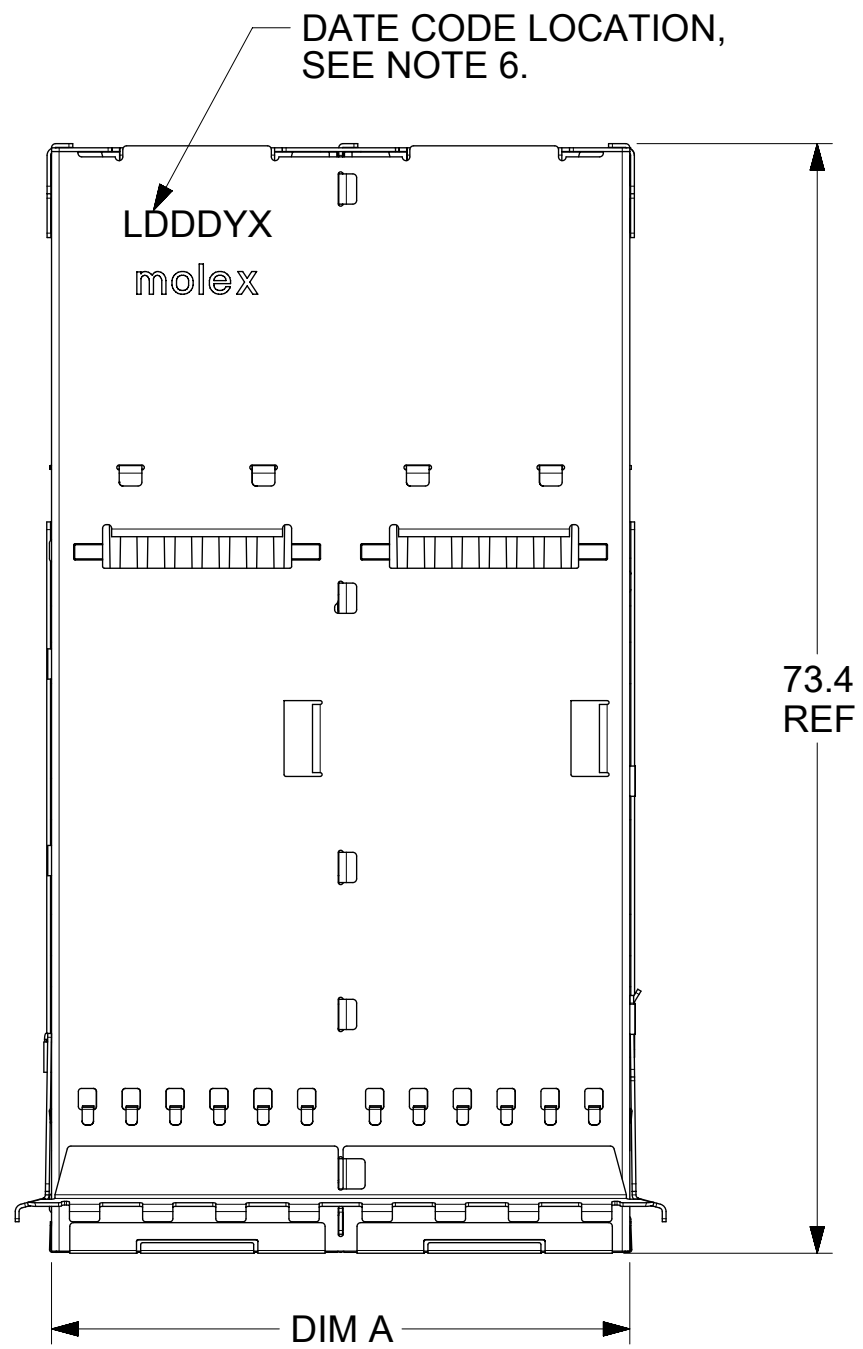
REVISION HISTORY		
DATE	REV.	DESCRIPTION
2022/11/14	A	REMASTER RSD-171565-7000_REV2 FROM OLD SOFTWARE TO NEW SOFTWARE. SHEET 1: CHANGED DATE CODE FORMAT TO LDDDYX-C CORRECTED TYPO FOR FINISH INFORMATION OF SPRING FINGER UPDATE NOTE4 FOR PK SPEC ADDED NEW SHEET 2 SHEET 2: SHOWN 2X1 AND 2X3 OPTION SHEET 4: UPDATED KEEP OUT ZONE AND VERBIAGE IN NOTE1&2 UPDATED PANEL OPENING INFORMATION SHEET 5: ADDED REVISION HISTORY.

FUNCTIONAL SYMBOLS = 0 = 0 = 0 DIVISIONAL SYMBOLS 3 PLACES ± 2 PLACES ± 0.13 1 PLACE ± 0.25 0 PLACES ±	THIS DRAWING CONTAINS INFORMATION THAT IS PROPRIETARY TO MOLEX ELECTRONIC TECHNOLOGIES, LLC AND SHOULD NOT BE USED WITHOUT WRITTEN PERMISSION		
	DIMENSION UNITS	SCALE	CURRENT REV DESC: SEE REVISION HISTORY
	mm	1:1	
	GENERAL TOLERANCES (UNLESS SPECIFIED)		
ANGULAR TOL ± 0.5°			
EC NO: 728470			
DRWN: SYANG16 2022/11/14			
CHK'D: BARWANKAR 2022/11/15			
APPR: BARWANKAR 2022/11/15			
INITIAL REVISION:			
DRWN: SYANG16 2022/11/14			
APPR: BARWANKAR 2022/11/15			
DRAFT WHERE APPLICABLE MUST REMAIN WITHIN DIMENSIONS		THIRD ANGLE PROJECTION	DRAWING
			C-SIZE
		SERIES	171565
DOCUMENT NUMBER		DOC TYPE	DOC PART
1715657000		PSD	ASY
MATERIAL NUMBER		CUSTOMER	SHEET NUMBER
SEE P/N TABLE		CISCO	5 OF 5
REVISION		A	



ZQSFP+ STACKED ASSY  
W/ELASTOMERIC GASKET

PRODUCT CUSTOMER DRAWING



PORT SIZE	PART NUMBER	DIM 'A'	DIM 'B'	DIM 'C'
2X1	171565-100*	19.5	24.1	19.00
2X2	171565-000*	38.5	43.1	38.00
2X3	171565-300*	57.5	62.1	57.00

\* - DESIGNATES FRONT PLATE OPTIONS

**NOTES:**

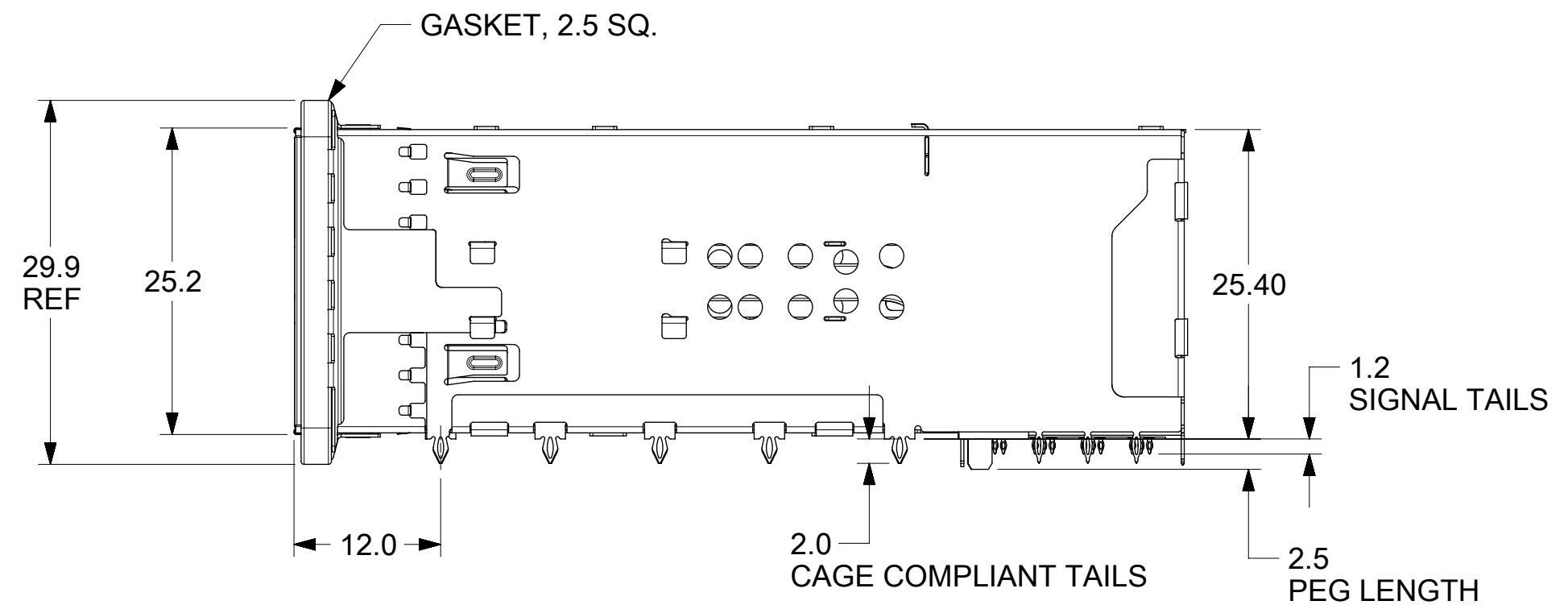
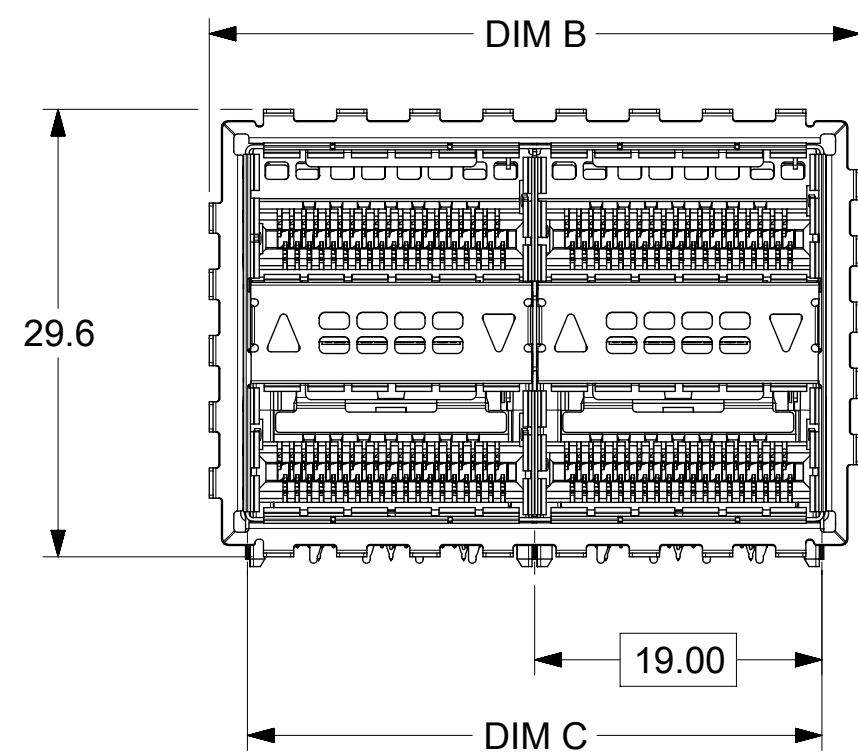
**1. MATERIAL:**

CAGE: NICKEL SILVER, 0.25 THICK  
 EMI STRAPS: PHOS-BRONZE, 0.10 THICK  
 GASKET: SILICONE  
 LIGHT PIPES (OPTIONAL): POLYCARBONATE  
 (PER TELCORDIA-GR-63-CORE-ISSUE3, SECTION 4.2.3.1; R4-43,  
 DISCRETE STRUCTURAL COMPONENTS CONSTITUTING A FUEL  
 LOAD OF 1 GRAM OR LESS ARE EXEMPT FROM THE REQUIREMENTS  
 OF R4-43 (91); UL 94V-0 RATING)  
 CONNECTOR HOUSING: HIGH PERFORMANCE THERMOPLASTIC, 94V-0  
 TERMINALS: HIGH PERFORMANCE COPPER ALLOY, 0.18 THICK

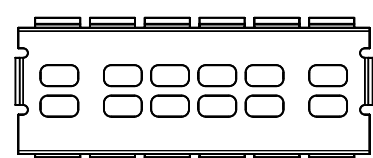
**2. FINISH:**

SPRING FINGERS: 0.5µm NICKEL OVERALL  
 GASKET: SILVER  
 TERMINALS: CONTACT AREA: 0.76µm MIN GOLD OVER 2.5µm MIN NICKEL.  
 COMPLIANT AREA: 0.76-1.52µm MATTE TIN OVER 1.27µm MIN NICKEL.

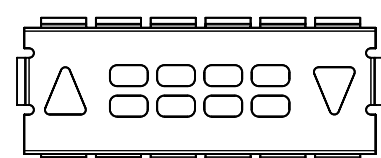
- 3. ALL SURFACES TO BE CLASS 'C' OR BETTER PER MOLEX COSMETIC SPECIFICATION PS-45499-002.**  
**4. REFER TO PK-171565-0001 FOR PACKAGING SPECIFICATIONS.**  
**5. CONNECTOR INTENDED TO MATE WITH PLUG CABLE SERIES 74757 AND 74758.**  
**6. DATE CODE LOCATION SHOWN, DATE CODE FORMAT: LDDDYX**  
 L: MOLEX INTERNAL CONTROL  
 DDD: DAY OF THE YEAR  
 Y: LAST DIGIT OF YEAR  
 X: MOLEX INTERNAL CONTROL



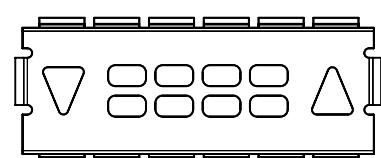
171565-0002 SHOWN FOR REFERENCE  
 APPEARANCE MAY VARY BY SIZE



P/N 171565-\*001  
 AIRFLOW ONLY  
 NO LIGHTPIPE



P/N 171565-\*002  
 UP / DOWN LIGHTPIPE  
 INDICATOR



P/N 171565-\*003  
 DOWN / UP LIGHTPIPE  
 INDICATOR

THIS DRAWING CONTAINS INFORMATION THAT IS PROPRIETARY TO MOLEX ELECTRONIC TECHNOLOGIES, LLC AND SHOULD NOT BE USED WITHOUT WRITTEN PERMISSION

DIMENSION UNITS		SCALE		CURRENT REV DESC: SEE REVISION HISTORY	
mm		2:1			
GENERAL TOLERANCES (UNLESS SPECIFIED)					
	MM	INCH			
4 PLACES	±	±	EC NO: 617910		
3 PLACES	±	±	DRWN: CWANG67 2019/05/21		
2 PLACES	± 0.13	±	CHK'D: CWANG67 2019/05/24		
1 PLACE	± 0.25	±	APPR: RNELSON 2019/05/28		
0 PLACES	±	±	INITIAL REVISION:		
ANGULAR TOL ± 0.5 °		THIRD ANGLE PROJECTION		DRAWING SERIES	
DRAFT WHERE APPLICABLE MUST REMAIN WITHIN DIMENSIONS		C-SIZE		171565	
DOCUMENT STATUS		P1		RELEASE DATE 2019/05/28 04:38:04	
DOCUMENT NUMBER		DOC TYPE		DOC PART	
SD-171565-2000		PSD		001	
MATERIAL NUMBER		CUSTOMER		SHEET NUMBER	
SEE CHART		GENERAL MARKET		1 OF 4	

**molex**

ZQSFP+ STACKED ASSY  
 W/ELASTOMERIC GASKET

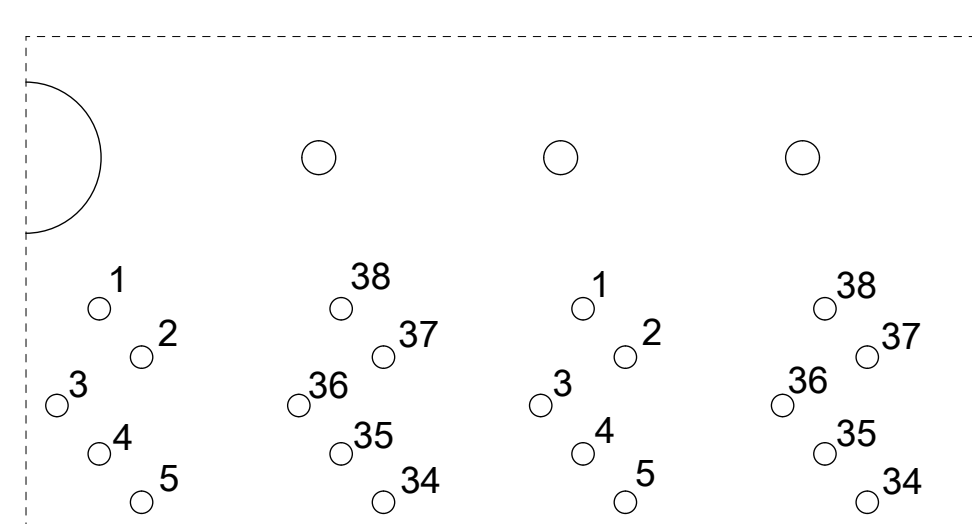
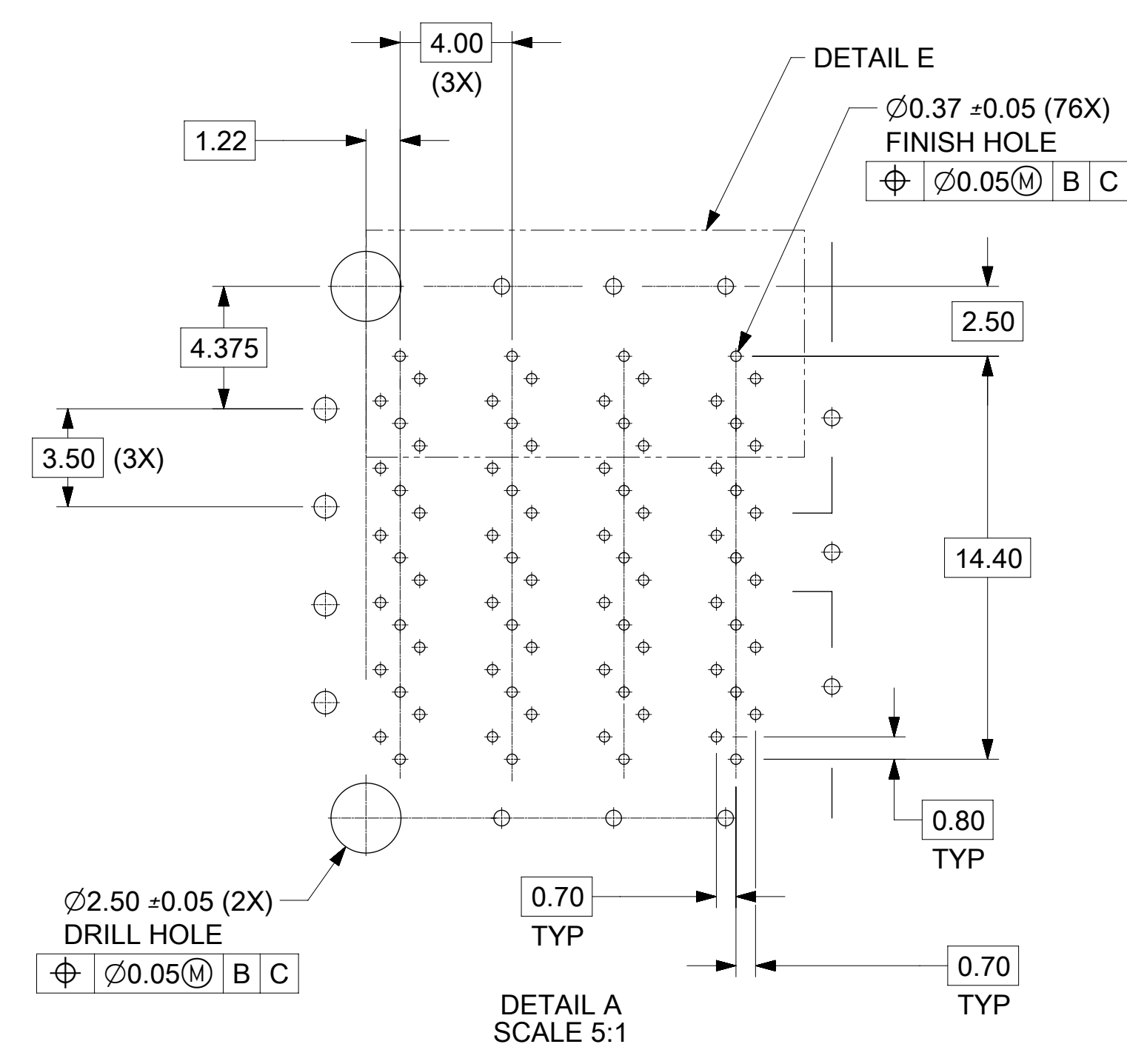
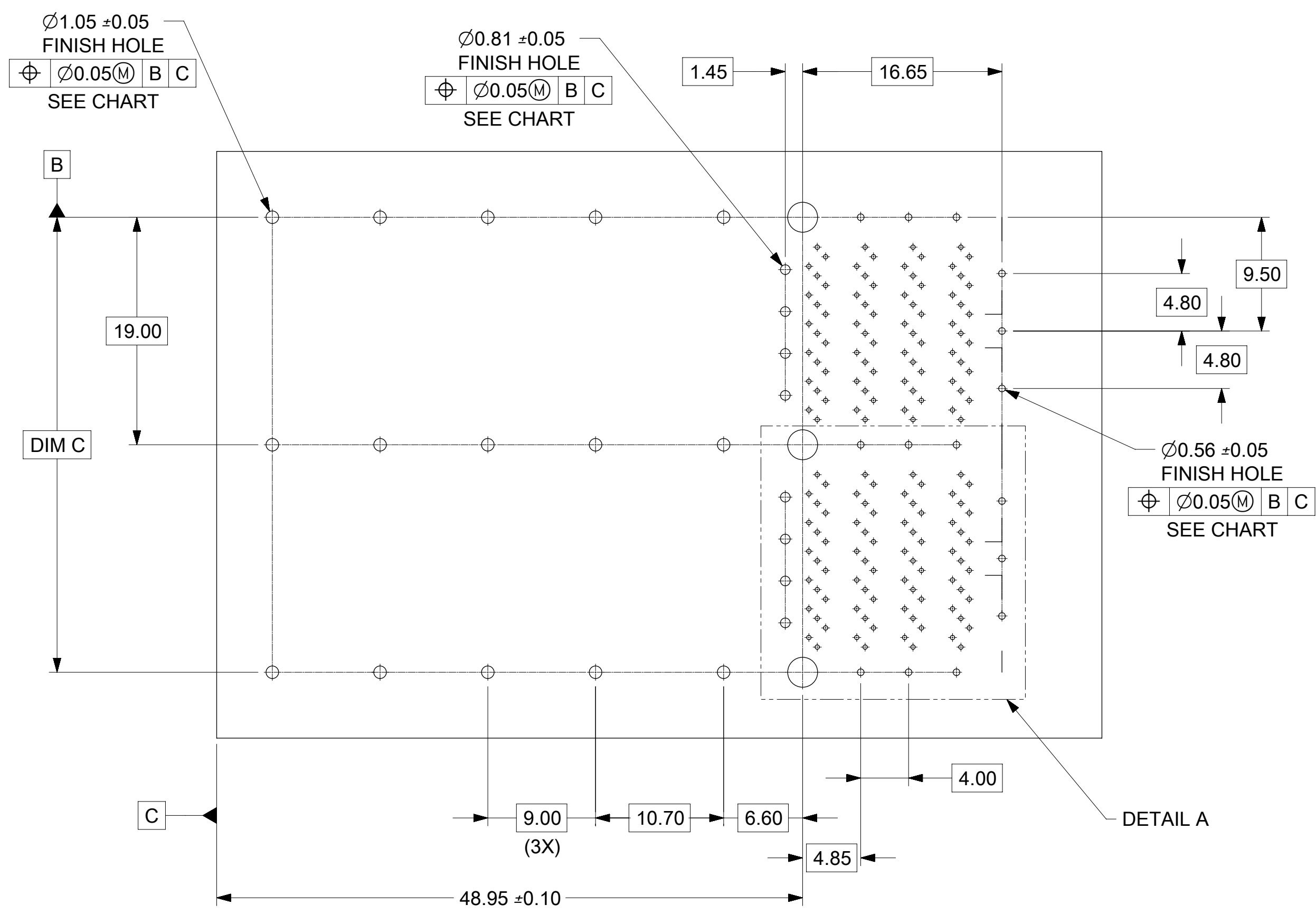
PRODUCT CUSTOMER DRAWING

DOCUMENT NUMBER DOC TYPE DOC PART REVISION

SD-171565-2000 PSD 001 A2

MATERIAL NUMBER CUSTOMER SHEET NUMBER

SEE CHART GENERAL MARKET 1 OF 4

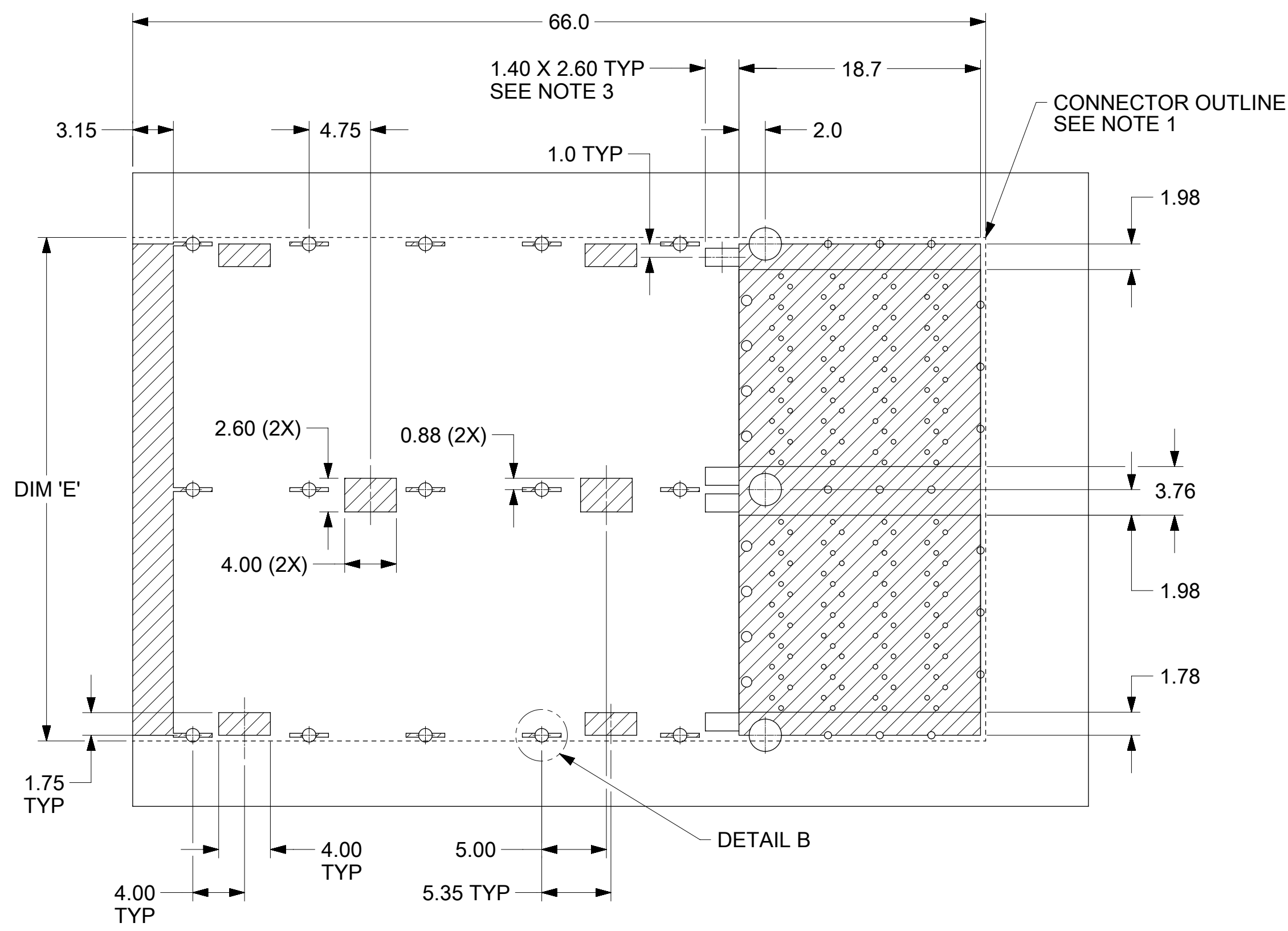


LOWER PORT  
UPPER PORT  
DETAIL E  
SCALE 8:1  
PIN ASSIGNMENTS

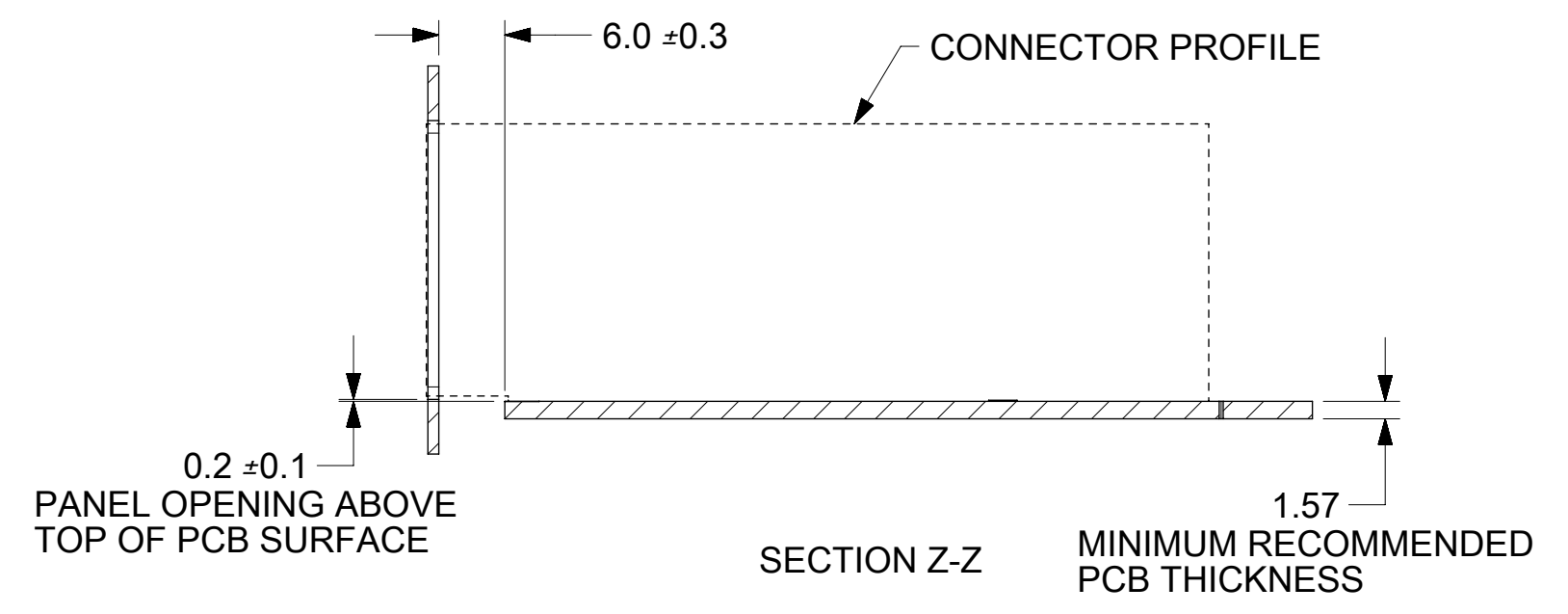
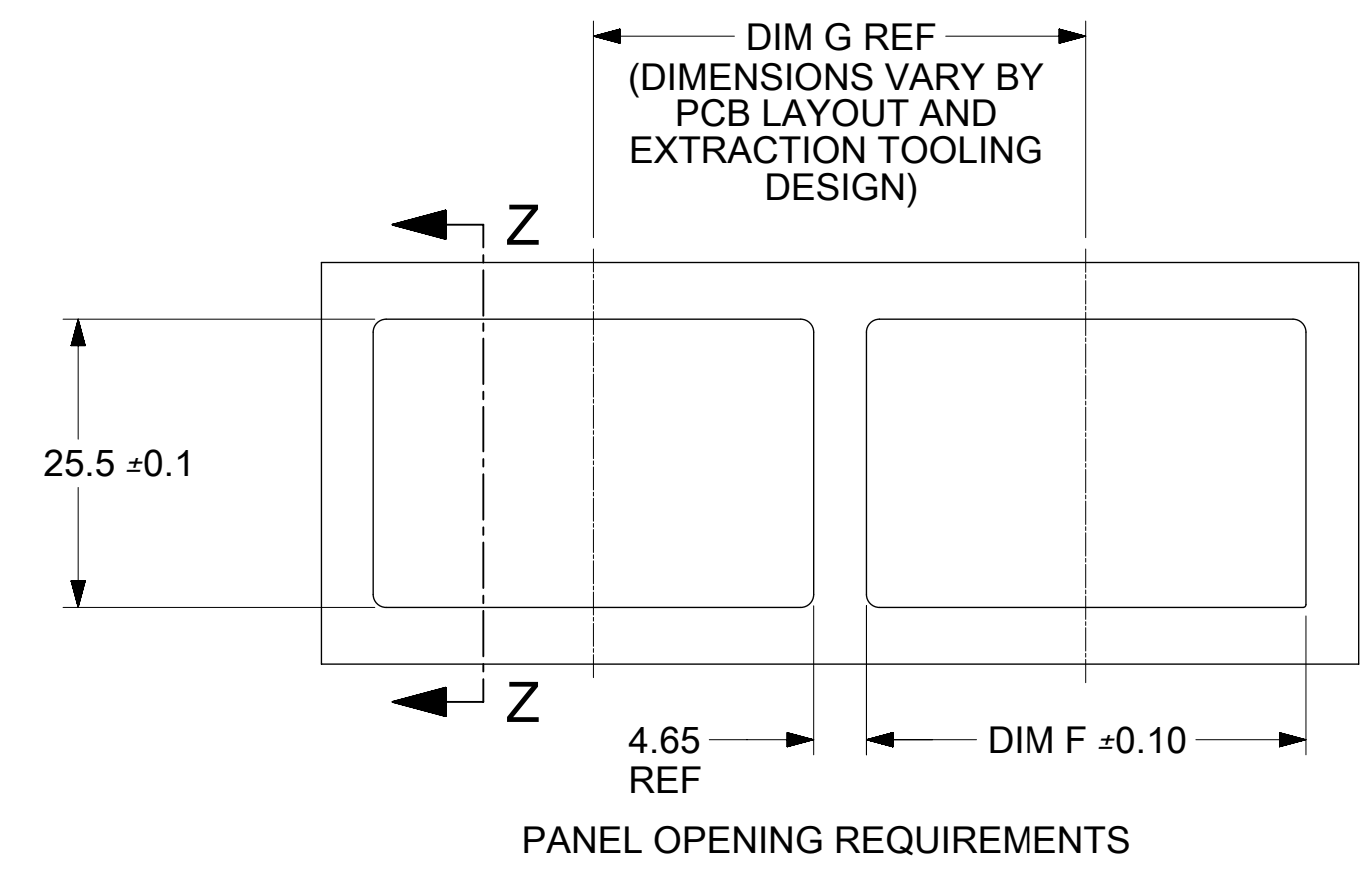
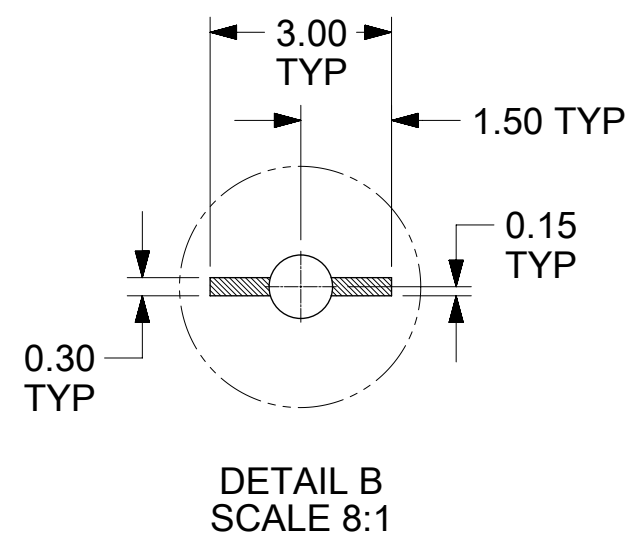
PORT SIZE	DIM C	Ø1.05 PTH QUANTITY	Ø0.56 PTH QUANTITY	Ø0.81 PTH QUANTITY
2X1	19.00	10	9	4
2X2	38.00	15	15	8
2X3	57.00	20	21	12

THIS DRAWING CONTAINS INFORMATION THAT IS PROPRIETARY TO MOLEX ELECTRONIC TECHNOLOGIES, LLC AND SHOULD NOT BE USED WITHOUT WRITTEN PERMISSION

DIMENSION UNITS: mm		SCALE: 3:1		CURRENT REV DESC: SEE REVISION HISTORY	
GENERAL TOLERANCES (UNLESS SPECIFIED)		EC NO: 617910			
4 PLACES	±	DRWN: CWANG67	2019/05/21		
3 PLACES	±	CHK'D: CWANG67	2019/05/24	ZQSFP+ STACKED ASSY W/ELASTOMERIC GASKET	
2 PLACES	± 0.13	APPR: RNELSON	2019/05/28		
1 PLACE	± 0.25	INITIAL REVISION:		PRODUCT CUSTOMER DRAWING	
0 PLACES	±	DRWN: JKACHLIC	2012/08/23	DOCUMENT NUMBER	
ANGULAR TOL	± 0.5°	APPR: MBANAKIS	2012/08/30	SD-171565-2000	
DRAFT WHERE APPLICABLE MUST REMAIN WITHIN DIMENSIONS		THIRD ANGLE PROJECTION		DOC TYPE	
		DRAWING: C-SIZE		PSD	
		SERIES: 171565		DOC PART	
				001	
				REVISION	
				A2	
				SHEET NUMBER	
				2 OF 4	



PORT SIZE	DIM 'E'	DIM 'F'	DIM 'G'
2X1	19.5	19.85	24.50
2X2	38.5	38.85	43.50
2X3	57.5	57.85	62.50



- NOTES:
1. THE ENTIRE AREA UNDER THE CONNECTOR IS A KEEP OUT ZONE FOR COMPONENTS AND TRACES, TOP LAYER ONLY, EXCEPT FOR CHASSIS GROUND.
  2. CROSS-HATCHED AREAS INDICATE PLACES WHERE THE PLASTIC HOUSING AND METAL CAGE MAY CONTACT PCB SURFACE. THESE AREAS ARE KEEP OUT ZONES. CROSS-HATCHED AREA UNDER THE CONNECTOR ARE TRACE AND VIA KEEP OUT AREAS FOR THE TOP LAYER.
  3. THESE RECTANGULAR ZONES ARE FOR LED PLACEMENT. LED HEIGHT SHOULD NOT EXCEED 0.8 AND PLACEMENT SHOULD BE CENTERED WITHIN THIS LED KEEP-IN ZONE.
  4. RECOMMENDED LED CHIP PACKAGE SIZE IS 0805.

THIS DRAWING CONTAINS INFORMATION THAT IS PROPRIETARY TO MOLEX ELECTRONIC TECHNOLOGIES, LLC AND SHOULD NOT BE USED WITHOUT WRITTEN PERMISSION

DIMENSION UNITS	SCALE	CURRENT REV DESC: SEE REVISION HISTORY				
mm	1:1					
GENERAL TOLERANCES (UNLESS SPECIFIED)		EC NO: 617910		ZQSFP+ STACKED ASSY W/ELASTOMERIC GASKET		
4 PLACES	±	DRWN: CWANG67	2019/05/21			
3 PLACES	±	CHK'D: CWANG67	2019/05/24			
2 PLACES	± 0.13	APPR: RNELSON	2019/05/28	PRODUCT CUSTOMER DRAWING		
1 PLACE	± 0.25	INITIAL REVISION:		DOCUMENT NUMBER		
0 PLACES	±	DRWN: JKACHLIC	2012/08/23	SD-171565-2000		DOC TYPE
ANGULAR TOL	± 0.5 °	APPR: MBANAKIS	2012/08/30	PSD	001	REVISION
DRAFT WHERE APPLICABLE MUST REMAIN WITHIN DIMENSIONS	THIRD ANGLE PROJECTION	DRAWING	SERIES	MATERIAL NUMBER	CUSTOMER	SHEET NUMBER
		C-SIZE	171565	SEE CHART	GENERAL MARKET	3 OF 4



REVISION HISTORY		
DATE	REV.	DESCRIPTION
2019/05/23	A2	1.ADDED REVISION HISTORY TABLE. 2.UPDATE NOTE4 FOR PK SPEC. 3.CHG DATE CODE FORMAT TO LDDDYX.
		4.UPDATE KEEP OUT ZONE AND VERBIAGE IN NOTE1&2, SHEET3. 5.UPDATE PANEL OPENING INFORMATION IN SHEET3.

THIS DRAWING CONTAINS INFORMATION THAT IS PROPRIETARY TO MOLEX ELECTRONIC TECHNOLOGIES, LLC AND SHOULD NOT BE USED WITHOUT WRITTEN PERMISSION

DIMENSION UNITS	SCALE	CURRENT REV DESC: SEE REVISION HISTORY		<b>molex</b>				
mm	1:1							
GENERAL TOLERANCES (UNLESS SPECIFIED)		EC NO: 617910		ZQSFP+ STACKED ASSY W/ELASTOMERIC GASKET				
ANGULAR TOL	± 0.5°	DRWN: CWANG67	2019/05/21	PRODUCT CUSTOMER DRAWING				
4 PLACES	±	CHK'D: CWANG67	2019/05/24					
3 PLACES	±	APPR: RNELSON	2019/05/28					
2 PLACES	± 0.13	INITIAL REVISION:		DOCUMENT NUMBER				
1 PLACE	± 0.25	DRWN: JKACHLIC	2012/08/23	SD-171565-2000		DOC TYPE	DOC PART	REVISION
0 PLACES	±	APPR: MBANAKIS	2012/08/30			PSD	001	A2
DRAFT WHERE APPLICABLE MUST REMAIN WITHIN DIMENSIONS	THIRD ANGLE PROJECTION	DRAWING	SERIES	MATERIAL NUMBER	CUSTOMER	SHEET NUMBER		
		C-SIZE	171565		GENERAL MARKET	4 OF 4		

DOCUMENT STATUS	P1	RELEASE DATE	2019/05/28 04:38:04
-----------------	----	--------------	---------------------