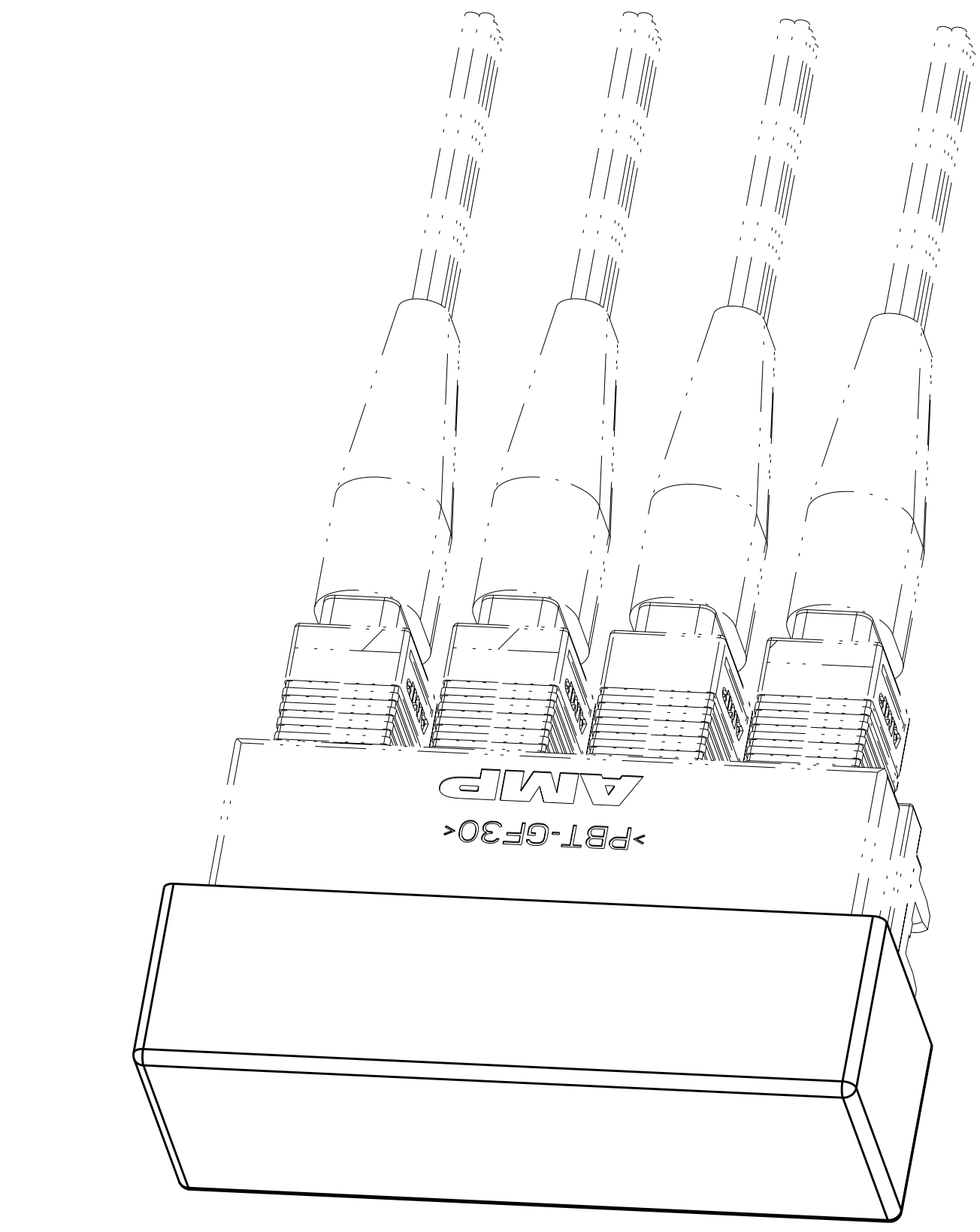
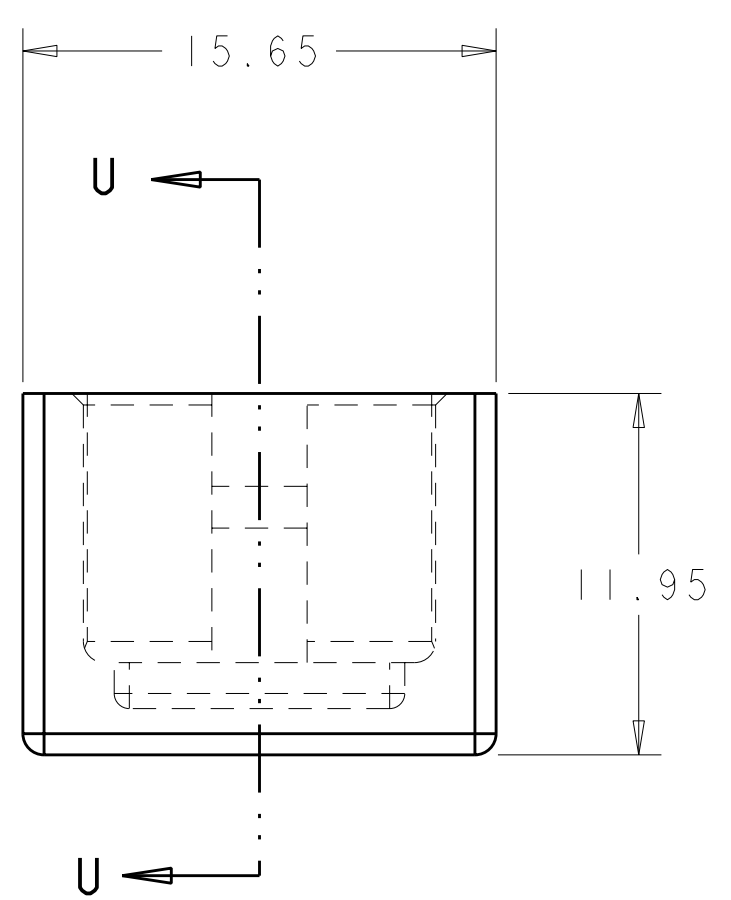
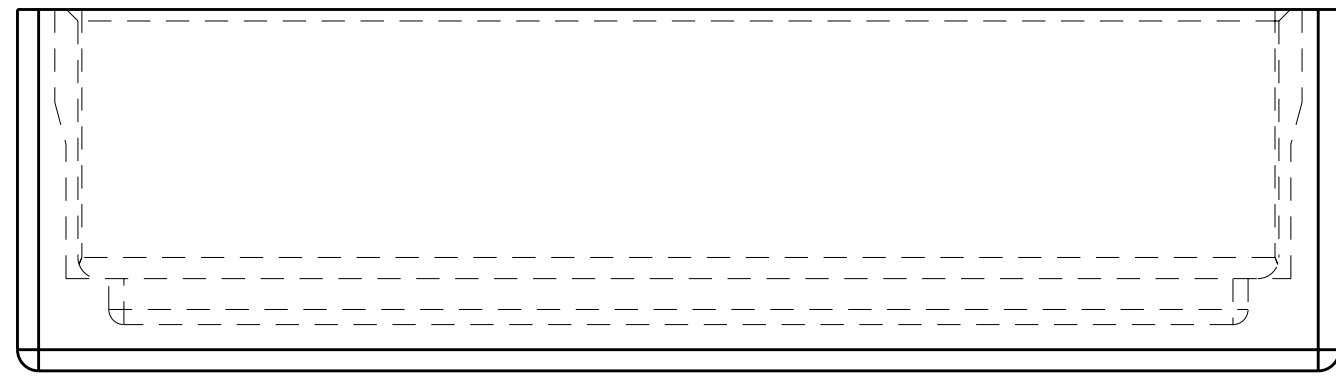
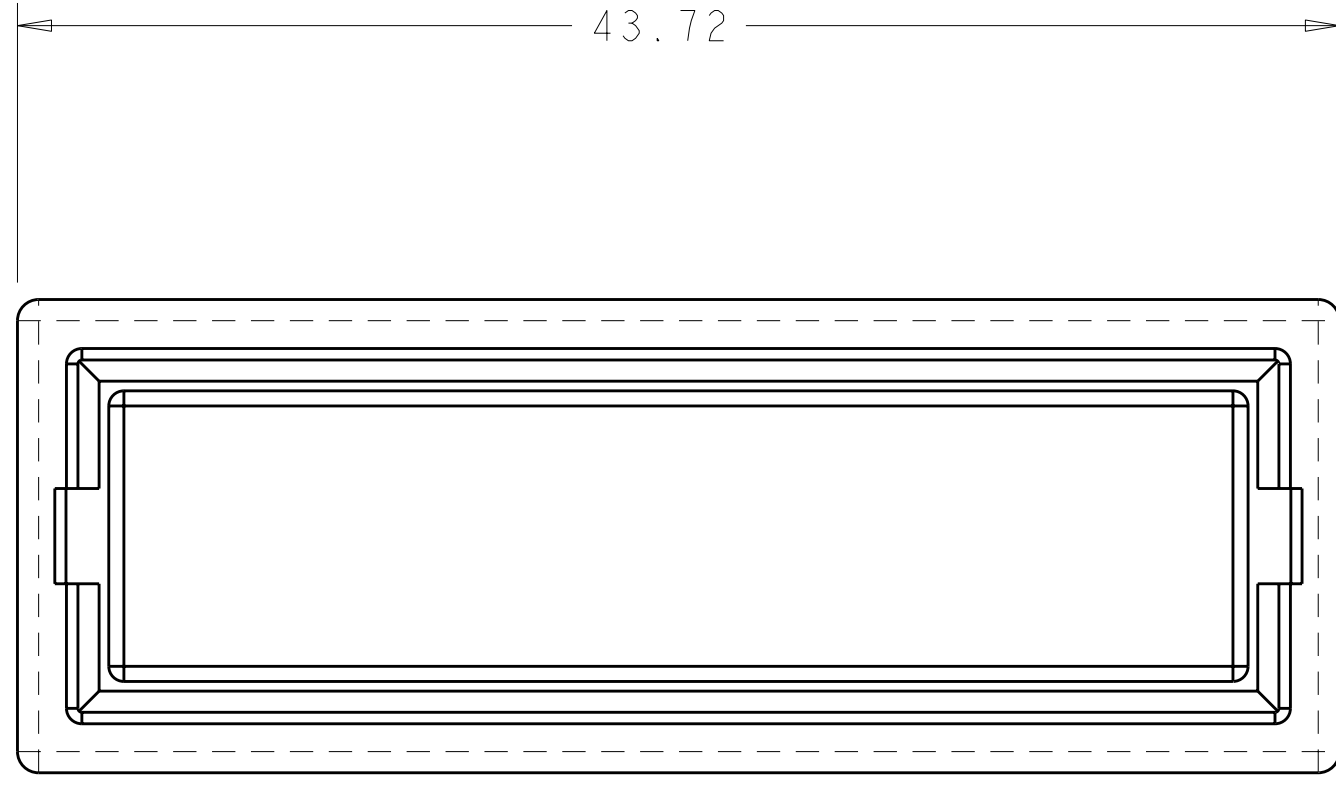


LOC	DIST	REVISIONS			
REV	LTN	DESCRIPTION	DATE	DWN	APVD
0		REL PER 00-258	03APR2000	LM	LB
A		REL PER 0A00-0641-00	21SEP00	EJH	LB
B		REVISED PER EC 0A00-0077-02	17JAN2002	EB	AP
C		ECR 09-021710	12-3-2009	LGE	FA

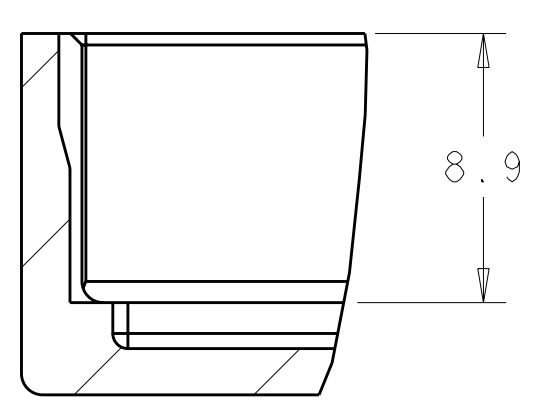
1 MATERIAL: THERMOPLASTIC ELASTOMER
 ARNITEL PL460S
 FLAMABILITY RATING: UL94V-0
 COLOR : BLACK

2. RETENTION FORCE: 1/2 LB MIN.

3 MATERIAL: THERMOPLASTIC ELASTOMER
 ARNITEL PL460S
 FLAMABILITY RATING: UL94V-0
 COLOR: RED



SCALE 3:1



SECTION U-U

OBSOLETE	COLOR	MATERIAL	PART NO
	BLUE	5	1374547-4
	GREEN	4	1374547-3
	RED	3	1374547-2
	BLACK	1	1374547-1

DIMENSIONS: mm 		TOLERANCES UNLESS OTHERWISE SPECIFIED: 0 PLC ± 1 PLC ±0.2 2 PLC ±0.13 3 PLC ± 4 PLC ±0.001 ANGLES ± FINISH		DWN L. MORNINGSTAR 03APR2000 CHK L. BARKUS 03APR2000 APVD F. ABENDSCHE IN 03APR2000 PRODUCT SPEC APPLICATION SPEC WEIGHT CUSTOMER DRAWING		Tyco Electronics Harrisburg, PA 17105-3608 NAME SYSTEMCARD HOUSING, DUST COVER, 1X4 VERTICAL, LIGHTRAY MPX SIZE CAGE CODE DRAWING NO RESTRICTED TO A100779C=1374547 SCALE 4:1 SHEET 1 OF 1 REV C	
-----------------------	--	---	--	---	--	---	--