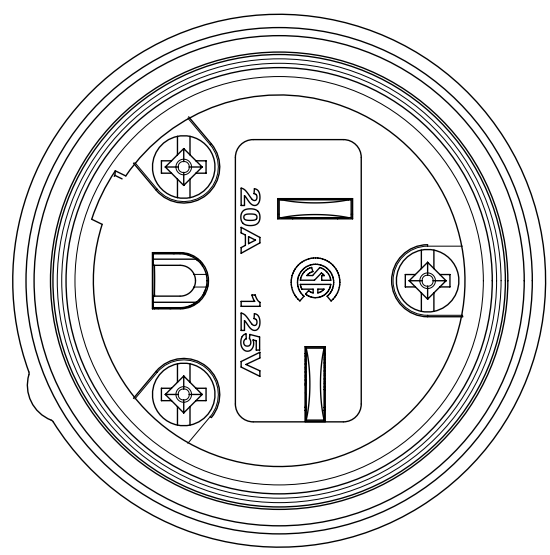
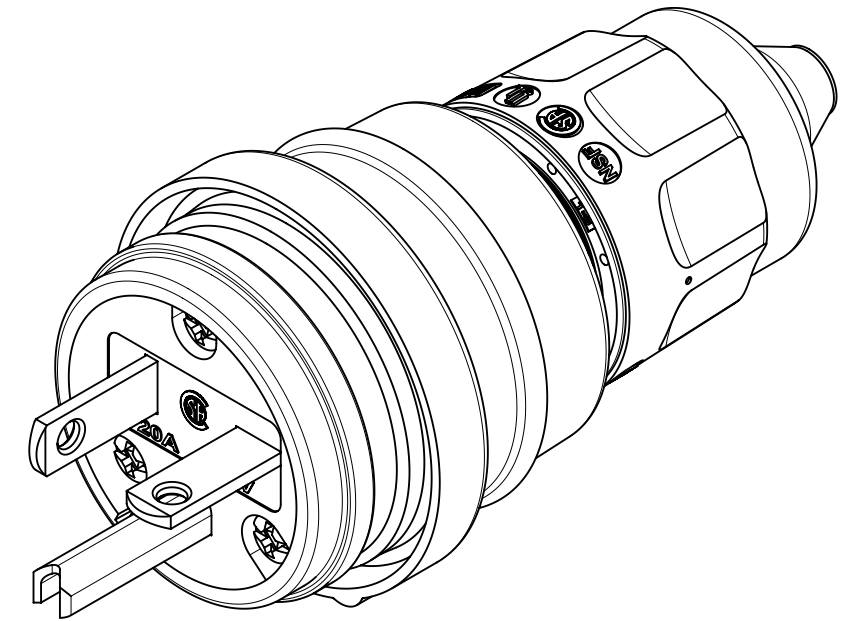
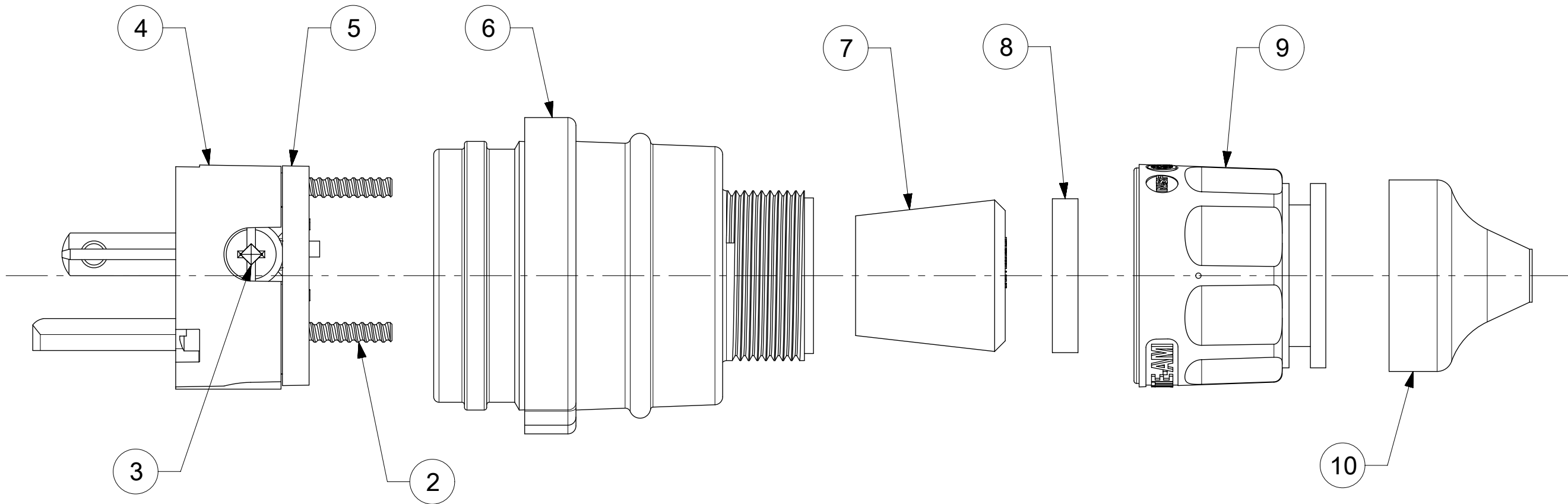
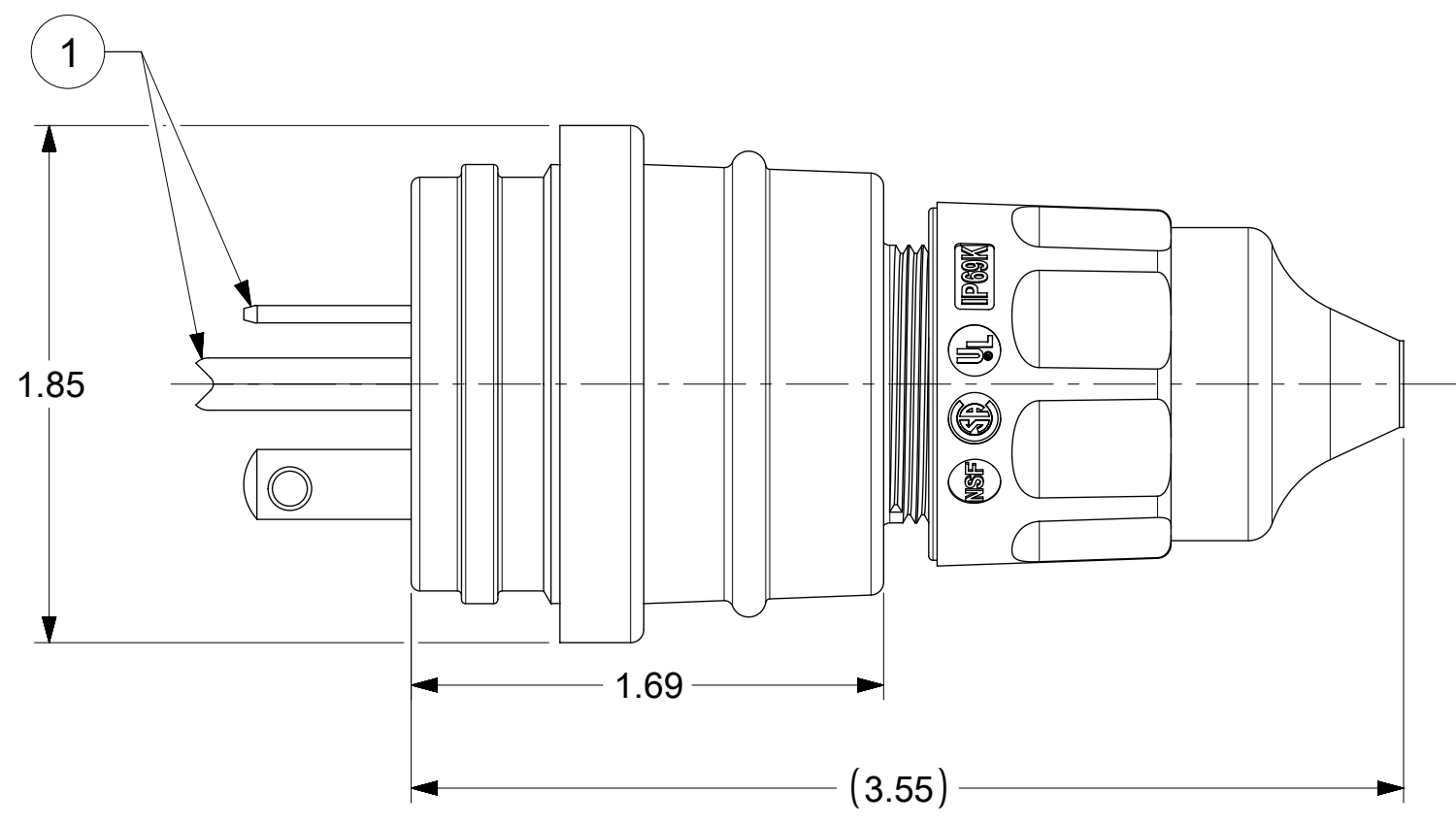


| ORDER NO.   | WOODHEAD NO. | COLOR  |
|-------------|--------------|--------|
| 130146-0022 | 14W33        | YELLOW |
| 130146-0023 | 14W33BLK     | BLACK  |



**FACE VIEW**



| ITEM NO. | DESCRIPTIONS     | MATERIAL                   | QTY. |
|----------|------------------|----------------------------|------|
| 1        | BLADES           | BRASS                      | 3    |
| 2        | RETAINING SCREWS | STAINLESS STEEL            | 3    |
| 3        | TERMINAL SCREWS  | BRASS, ZINC PLATED         | 3    |
| 4        | INSERT           | NYLON                      | 1    |
| 5        | TERMINAL COVER   | POLYCARBONATE              | 1    |
| 6        | HOUSING          | SILICONE WITH NYLON THREAD | 1    |
| 7        | GROMMETS         | RUBBER                     | 5    |
| 8        | FRICTION RING    | NYLON                      | 1    |
| 9        | COMPRESSION NUT  | NYLON                      | 1    |
| 10       | CABLE GLOVE      | SILICONE                   | 1    |

**NOTES:**  
 1. SEE INSTRUCTION SHEET NUMBER 1301414770 FOR PRODUCT SPECIFICATION.  
 2. CABLE RANGE FROM 0.375" TO 0.625"

|   |  |                        |  |                             |  |                |  |                          |  |
|---|--|------------------------|--|-----------------------------|--|----------------|--|--------------------------|--|
| THIS DRAWING CONTAINS INFORMATION THAT IS PROPRIETARY TO MOLEX ELECTRONIC TECHNOLOGIES, LLC AND SHOULD NOT BE USED WITHOUT WRITTEN PERMISSION |  |                        |  |                             |  |                |  |                          |  |
| DIMENSION UNITS   |  | SCALE                  |  | CURRENT REV DESC:           |  |                |  | <b>molex</b>             |  |
| INCH  |  | NTS                    |  |                             |  |                |  |                          |  |
| GENERAL TOLERANCES (UNLESS SPECIFIED)   |  |                        |  | EC NO: 613686               |  |                |  | WATERTITE PLUG, 5-20P    |  |
| ANGULAR TOL ± 0.5°  |  |                        |  | DRWN: VHANDI 2019/03/13     |  |                |  |                          |  |
| 4 PLACES ±  |  |                        |  | CHK'D: DNGUYEN62 2019/03/18 |  |                |  | PRODUCT CUSTOMER DRAWING |  |
| 3 PLACES ± 0.005  |  |                        |  | APPR: HKNEELAND 2019/03/21  |  |                |  |                          |  |
| 2 PLACES ± 0.01   |  |                        |  | INITIAL REVISION:           |  |                |  | DOCUMENT NUMBER          |  |
| 1 PLACE ± 0.02  |  |                        |  | DRWN: NVELUSAMY 2018/10/26  |  |                |  |                          |  |
| 0 PLACES ±  |  |                        |  | APPR: HKNEELAND 2019/02/11  |  |                |  | 1301460022               |  |
| DRAFT WHERE APPLICABLE MUST REMAIN WITHIN DIMENSIONS  |  | THIRD ANGLE PROJECTION |  | DRAWING                     |  | SERIES         |  | MATERIAL NUMBER          |  |
|   |  | C-SIZE                 |  | 130146                      |  | SEE TABLE      |  | CUSTOMER                 |  |
|   |  |                        |  |                             |  | GENERAL MARKET |  | SHEET NUMBER             |  |
|   |  |                        |  |                             |  |                |  | 1 OF 1                   |  |