

1 2 3 4 5 6

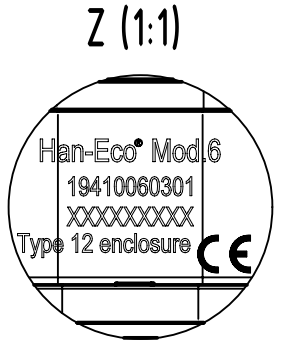
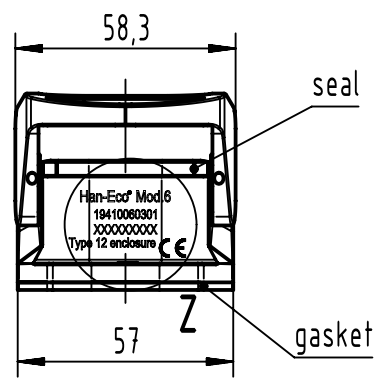
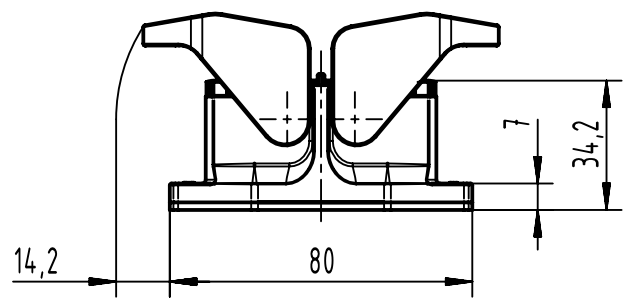
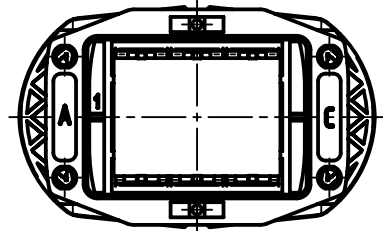
A

B

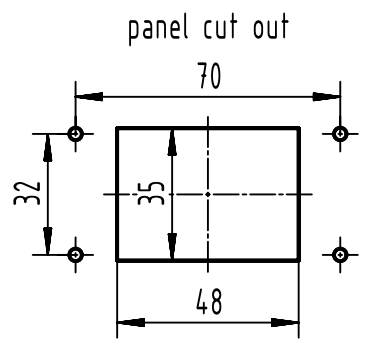
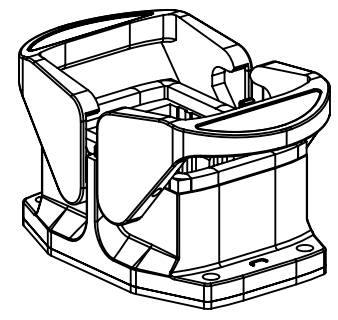
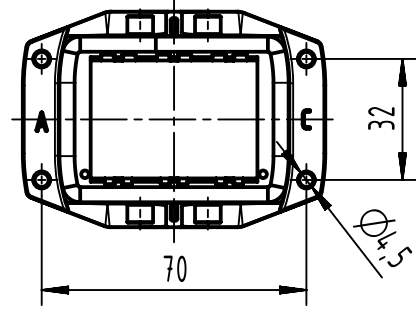
C

D

view without gasket



view without lever



	All rights reserved Department EL PD	All Dimensions in mm Original Size DIN A4		Scale 1:2	Free size tol.	Ref. Sub.
		Created by BALSAN	Inspected by 402602	Standardisation 302077	Date 2021-02-16	State Final Release
HARTING D-32339 Espelkamp		Title Han-Eco Mod.6-agg			Doc-Key / ECM-Nr. 100186482/UGD/009/C 500000189313	
		Type TB	Number 19 41 006 0301		Rev. C	Page 1/1