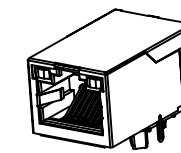
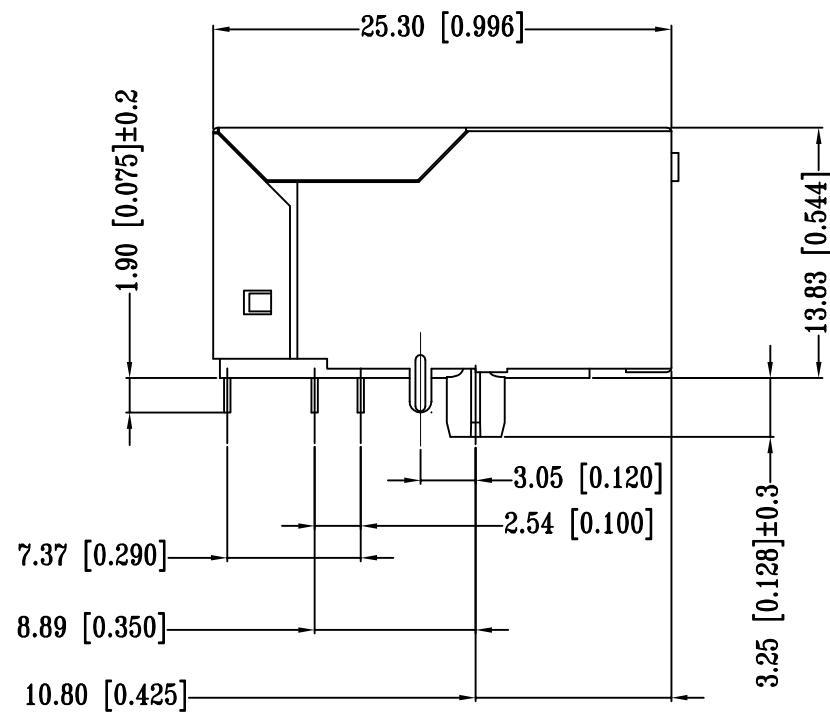
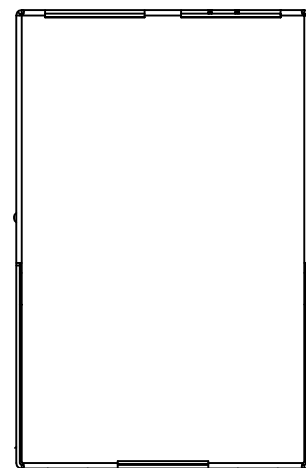
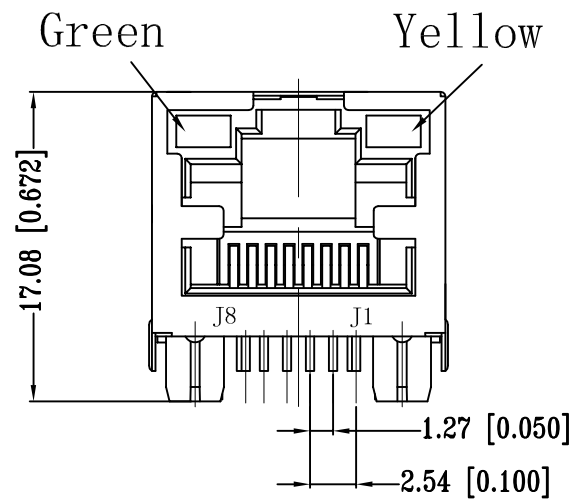
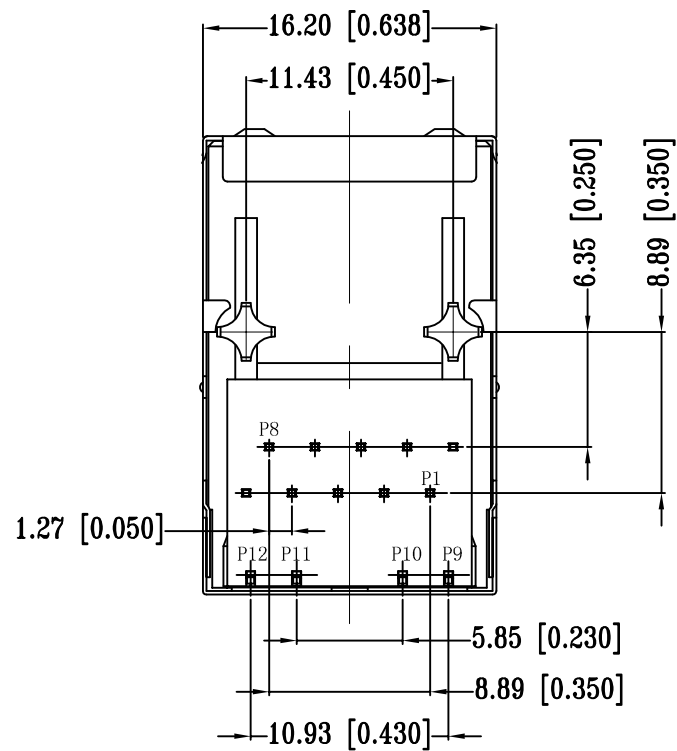



P	LTR	DESCRIPTION	DATE	DWN	APVD
	A2	NEW DRAWING PUBLISHED	26MAY2017	GCM	MSZ



1:1

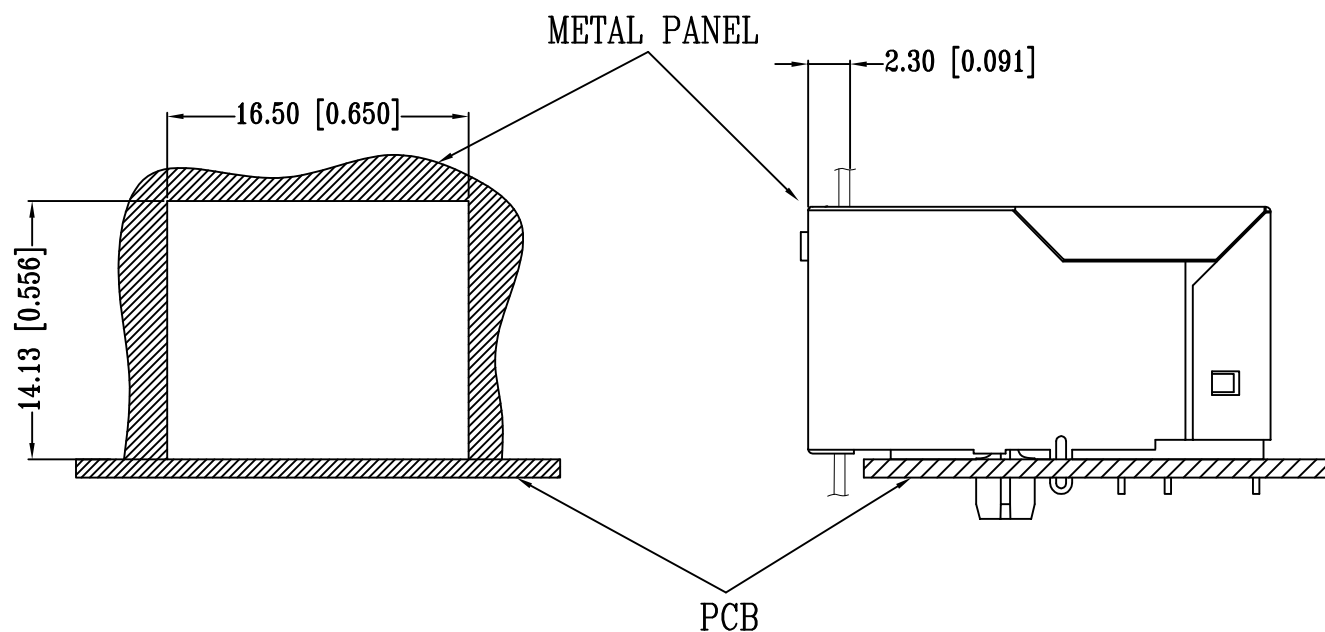
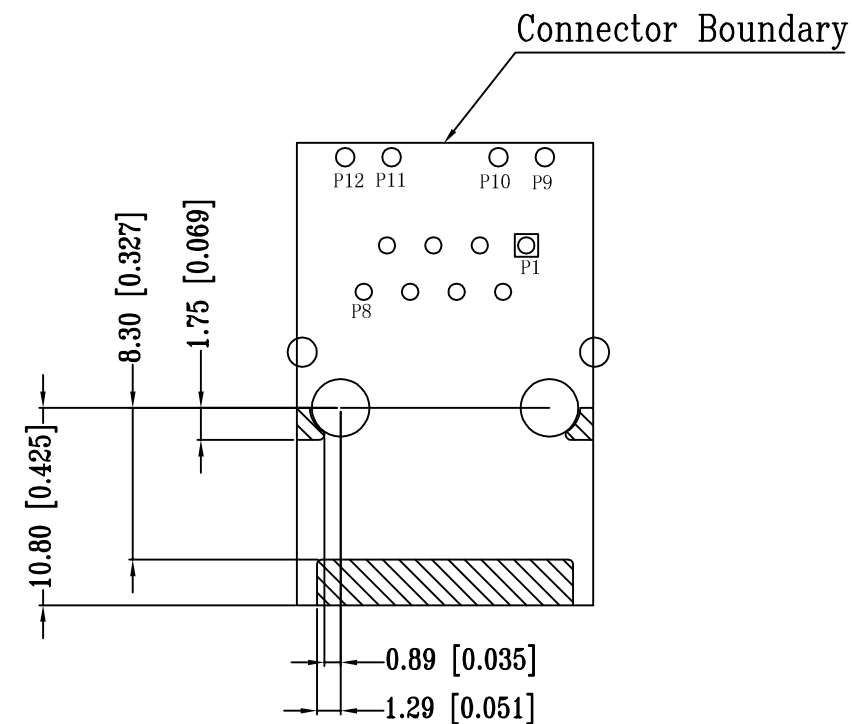
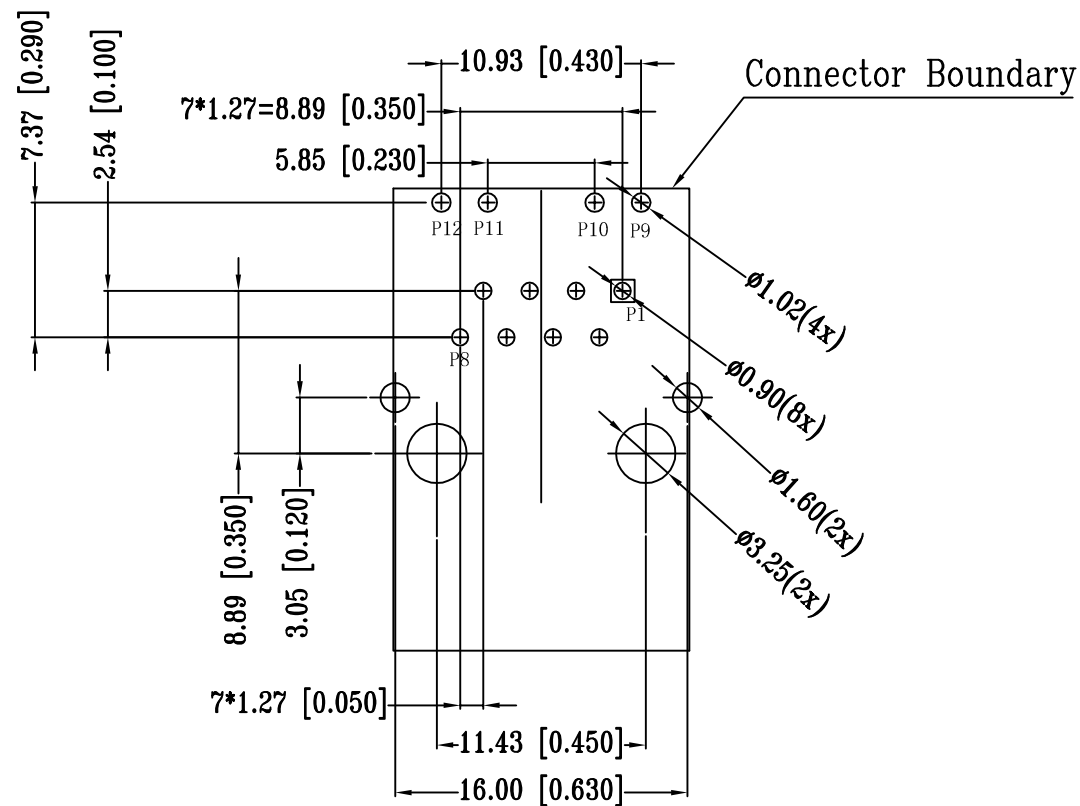
- 1 CONNECTOR MATERIAL:
 HOUSING: LCP BLACK UL94 V-0
 INSERT: LCP BLACK UL94 V-0
 SHIELD: BRASS
 SHIELD PLATING: NICKEL
 CONTACT: COPPER ALLOY
 CONTACT PLATING: SELECTIVE GOLD, MIN. 0.76 μm (30 μ in) IN CONTACT AREA
 OVER MIN. 1.27 μm (50 μ inch) NICKEL
 SOLDER PIN PLATING: 3.05 μm (120 μ inch) TIN OVER 1.02 μm (40 μ inch) NICKEL
 OVER ALL
 SHIELDING PIN PLATING: NICKEL
- 2 PIN NOT ELECTRICALLY CONNECTED MAYBE OMITTED SEE ELECTRICAL CIRCUIT DIAGRAM FOR OMITTED PINS
- 3 RJ45 CAVITIES CONFORM TO FCC RULES AND REGULATION PART 68.
- 4 THE PART IS RECOMMENDED FOR REFLOW SOLDERING PROCESS PEAK SOLDERING: TEMPERATURE IS MAX. 260° C, MAX. 10s
- 5 OPERATING TEMPERATURE T=-40° C TO +85° C.
- 6 STORAGE TEMPERATURE T=-40° C TO +85° C.
- 7 UNLESS OTHERWISE SPECIFIED, SEE TABLE FOR ALL DIMENSIONS TOLERANCES
- 8 JACK CONFIGURATION: 1 x 1
 TAB DIRECTION: UP
- 9 PACKAGING: REEL (T+R) ACCORDING TO PACKAGING SPECIFICATION 107-18116

TABLE OF TOLERANCE (mm)	
RANGE	TOLERANCE
0-10	±0.15
>10-40	±0.25
>40-70	±0.30
>70	±0.40

THIS DRAWING IS A CONTROLLED DOCUMENT.		DWN GANESH C M 27AUG2016	 TE Connectivity		
DIMENSIONS: mm [INCHES]		CHK FRANZ MUELLER 26MAY2017			
TOLERANCES UNLESS OTHERWISE SPECIFIED:		APVD MARTIN SZELAG 26MAY2017	NAME RJ45 JACK INT.MAG. 10/100 LED 1X1 INV.		
0 PLC ± - 1 PLC ± - 2 PLC ± - 3 PLC ± - 4 PLC ± - ANGLES ± -		PRODUCT SPEC 108-94552	SIZE A3		
MATERIAL 1		FINISH 1	APPLICATION SPEC 114-94447	CAGE CODE 00779	DRAWING NO C=1-2301994-5
CUSTOMER DRAWING			WEIGHT 0	RESTRICTED TO -	SCALE 3:1
			CUSTOMER DRAWING	SHEET 1 OF 3	REV A2

P	LTR	DESCRIPTION	DATE	DWN	APVD
-	-	SEE SHEET 1	-	-	-

SUGGESTED PCB LAYOUT

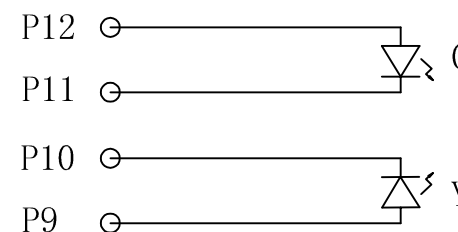
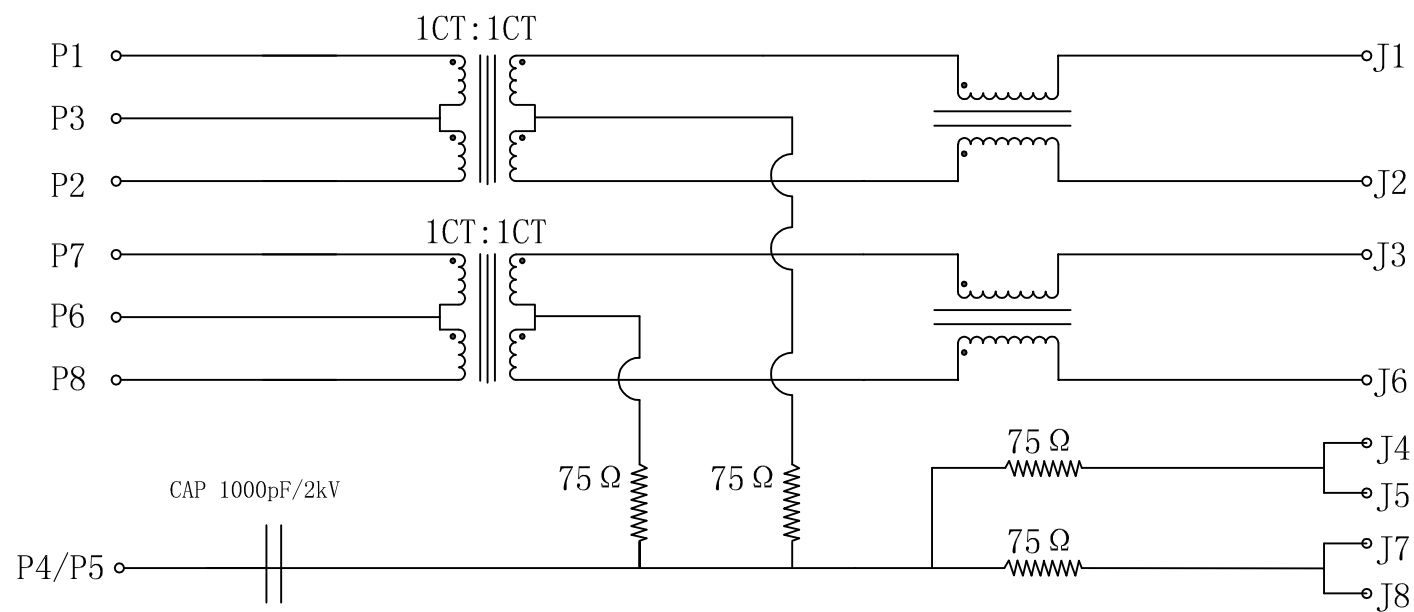


UNIT: mm / inch
 TOLERANCES: ± 0.10 / 0.004

THIS DRAWING IS A CONTROLLED DOCUMENT.		DWN GANESH C M 27AUG2016	TE Connectivity															
DIMENSIONS: mm [INCHES]		CHK FRANZ MUELLER 26MAY2017																
TOLERANCES UNLESS OTHERWISE SPECIFIED:		APVD MARTIN SZELAG 26MAY2017	NAME RJ45 JACK INT.MAG. 10/100 LED 1X1 INV.															
<table border="0"> <tr> <td>0 PLC</td><td>$\pm -$</td><td rowspan="5" style="text-align: center; vertical-align: middle;"> </td> </tr> <tr> <td>1 PLC</td><td>$\pm -$</td> </tr> <tr> <td>2 PLC</td><td>$\pm -$</td> </tr> <tr> <td>3 PLC</td><td>$\pm -$</td> </tr> <tr> <td>4 PLC</td><td>$\pm -$</td> </tr> <tr> <td>ANGLES</td><td>$\pm -$</td> </tr> </table>		0 PLC	$\pm -$		1 PLC	$\pm -$	2 PLC	$\pm -$	3 PLC	$\pm -$	4 PLC	$\pm -$	ANGLES	$\pm -$	PRODUCT SPEC 108-94552	SIZE A3		
0 PLC	$\pm -$																	
1 PLC	$\pm -$																	
2 PLC	$\pm -$																	
3 PLC	$\pm -$																	
4 PLC	$\pm -$																	
ANGLES	$\pm -$																	
MATERIAL 1		FINISH 1	APPLICATION SPEC 114-94447	CAGE CODE 00779	DRAWING NO C=1-2301994-5													
		WEIGHT -	RESTRICTED TO -															
CUSTOMER DRAWING			SCALE 3:1	SHEET 2 OF 3	REV A2													

P	LTR	DESCRIPTION	DATE	DWN	APVD
-	-	SEE SHEET 1	-	-	-

ELECTRICAL CIRCUIT DIAGRAM



Pin	Yellow	Green
P9	+	-
P10	-	+

- 1.0 Turn Ratio @100kHz: (P1~P2):(J1~J2) = 1:1±2%
(P7~P8):(J3~J6) = 1:1±2%
- 2.0 Primary Inductance: 350µH MIN. @100kHz, 0.1V 8mA DC BIAS
- 3.0 DC Resistance: 1.2 OHMS MAX.
- 4.0 Insertion Loss: 1-100MHz -1.2dB MAX.
- 5.0 Return Loss: 1-30MHz -16dB MIN.
30-60MHz -12dB MIN.
60-80MHz -10dB MIN.
- 6.0 CROSS TALK: 1-100MHz -30dB MIN.
- 7.0 COMMON TO COMMON MODE ATTENUATION: 1-100MHz -30dB MIN.
- 8.0 Isolation: PHY Side to Line Side: 2250VDC



CONTROL CODE
DATE CODE
"0213"
YY-YEAR
WW-WEEK

FCC

THIS DRAWING IS A CONTROLLED DOCUMENT.		DWN GANESH C M 27AUG2016	STE TE Connectivity	
DIMENSIONS: mm [INCHES]		CHK FRANZ MUELLER 26MAY2017		
TOLERANCES UNLESS OTHERWISE SPECIFIED:		APVD MARTIN SZELAG 26MAY2017	NAME RJ45 JACK INT.MAG. 10/100 LED 1X1 INV.	
0 PLC ± - 1 PLC ± - 2 PLC ± - 3 PLC ± - 4 PLC ± - ANGLES ± -		PRODUCT SPEC 108-94552	DRAWING NO 114-94447	
MATERIAL 1		FINISH 1	SIZE A3	CAGE CODE 00779
		RESTRICTED TO -	DRAWING NO 1-2301994-5	
CUSTOMER DRAWING		SCALE 3:1	SHEET 3 OF 3	REV A2