

THE INFORMATION CONTAINED HEREIN IS CONSIDERED "PROPRIETARY" TO BEL FUSE INC. AND SHALL NOT BE COPIED, REPRODUCED OR DISCLOSED WITHOUT THE WRITTEN APPROVAL OF BEL FUSE INC.

LED 1 POLARITY			LED 2 POLARITY		
PIN 15	PIN 16	COLOR	PIN 17	PIN 18	COLOR
+	-	GREEN	+	-	GREEN

PRELIMINARY



ELECTRICAL CHARACTERISTICS @ 25°C

URNS RATIO

TX 1CT : 2
 RX 1CT : 1

□CL @ 100kHz/100mVRMS

Tx 18 μH MIN.
 Rx 98 μH MIN.

INS. LOSS

1MHz TO 10MHz -1.0 dB MAX

RET. LOSS (MIN)

1MHz-10MHz -18 dB

CROSS TALK (TX - RX)

100kHz-100MHz -35 dB MIN

CM TO CM REJ

100kHz-100MHz -30 dB MIN

CM TO DM REJ

100kHz-100MHz -35 dB MIN

HIPOT (Isolation Voltage)

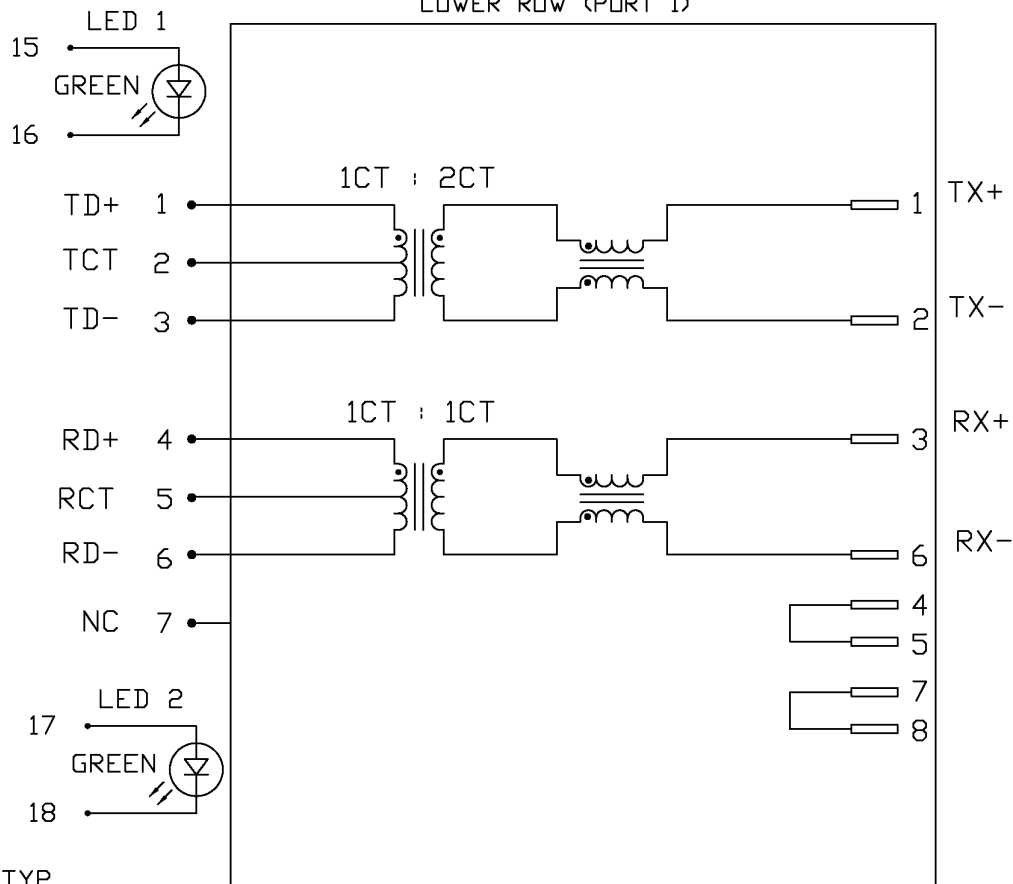
1500 Vrms

LED1 and LED2

VF (FORWARD VOLTAGE) IF=20mA GREEN 2.2V TYP.

λD (DOMINANT WAVELENGTH) IF=20mA GREEN 565nm TYP.

SCHEMATIC
 LOWER ROW (PORT 1)



ORIGINATED BY	DATE	TITLE	PART NO. / DRAWING NO.	STANDARD DIM. TOL. IN INCH	[] METRIC DIM. AS REFERENCE
CHUNG	12-27-05	2X1 MagJack® (with LED)	0845-2G1T-H6	.X	UNIT : INCH [mm] REV. : PC
DRAWN BY	DATE		FILE NAME	.XX	SCALE : N/A SIZE : A4
DE	12-27-05		08452G1TH6PC.DWG	.XXX	PAGE : 2



THE INFORMATION CONTAINED HEREIN IS CONSIDERED 'PROPRIETARY' TO BEL FUSE INC. AND SHALL NOT BE COPIED, REPRODUCED OR DISCLOSED WITHOUT THE WRITTEN APPROVAL OF BEL FUSE INC.

LED 3 POLARITY			LED 4 POLARITY		
PIN 19	PIN 20	COLOR	PIN 21	PIN 22	COLOR
+	-	GREEN	+	-	GREEN

PRELIMINARY



ELECTRICAL CHARACTERISTICS @ 25°C

URNS RATIO

TX 1CT : 1
RX 1CT : 1

□CL @ 100kHz,100mVRMS
8mA DC BIAS

350µH MIN

INS. LOSS

100kHz TO 100MHz -1.1 dB MAX

RET. LOSS

1MHz-30MHz -18 dB MIN
60MHz-80MHz -12 dB MIN

CROSS TALK (TX - RX)

100kHz-100MHz -35 dB MIN

CM TO CM REJ

100kHz-100MHz -30 dB MIN

CM TO DM REJ

100kHz-100MHz -35 dB MIN

HIPOT (Isolation Voltage)

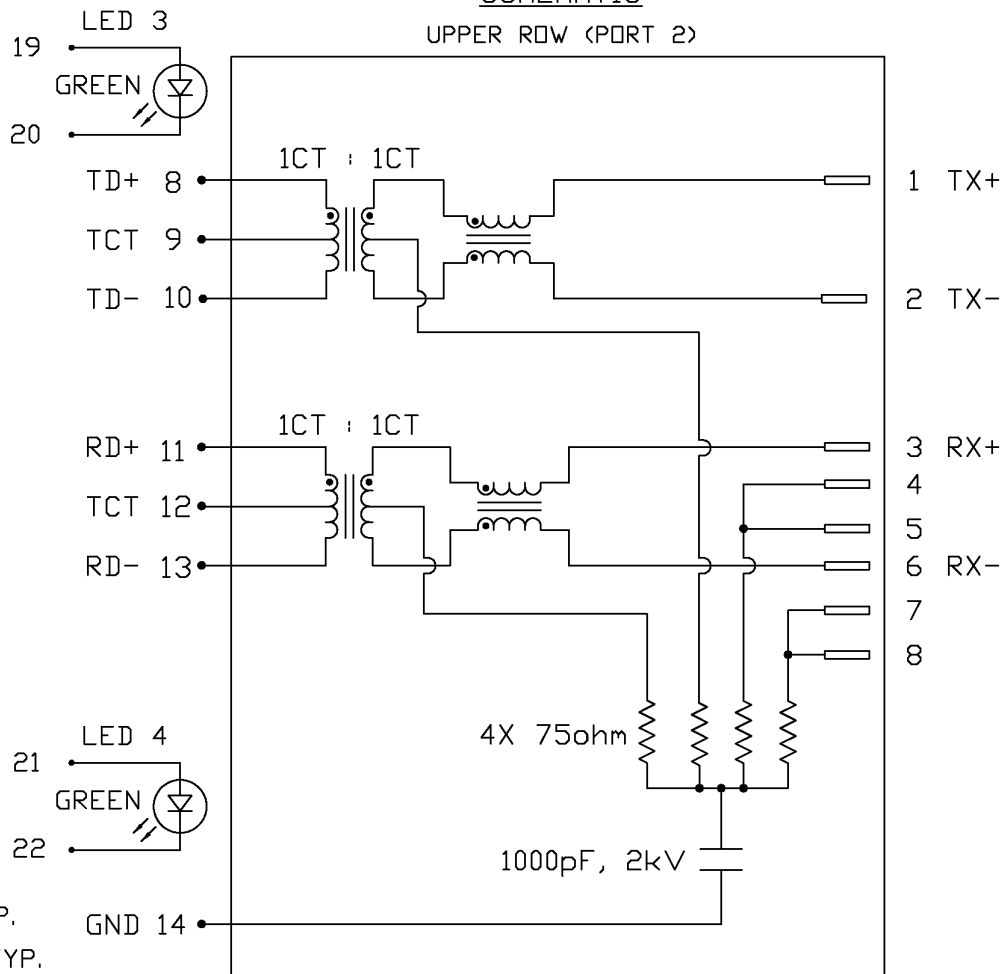
1500 Vrms

LED3 and LED4 (Super bright)

VF (FORWARD VOLTAGE) IF=20mA GREEN 2.2V TYP.

λD (DOMINANT WAVELENGTH) IF=20mA GREEN 565nm TYP.

SCHEMATIC
UPPER ROW (PORT 2)



ORIGINATED BY	DATE	TITLE
CHUNG	12-27-05	2X1 MagJack® (with LED)
DRAWN BY	DATE	
DE	12-27-05	

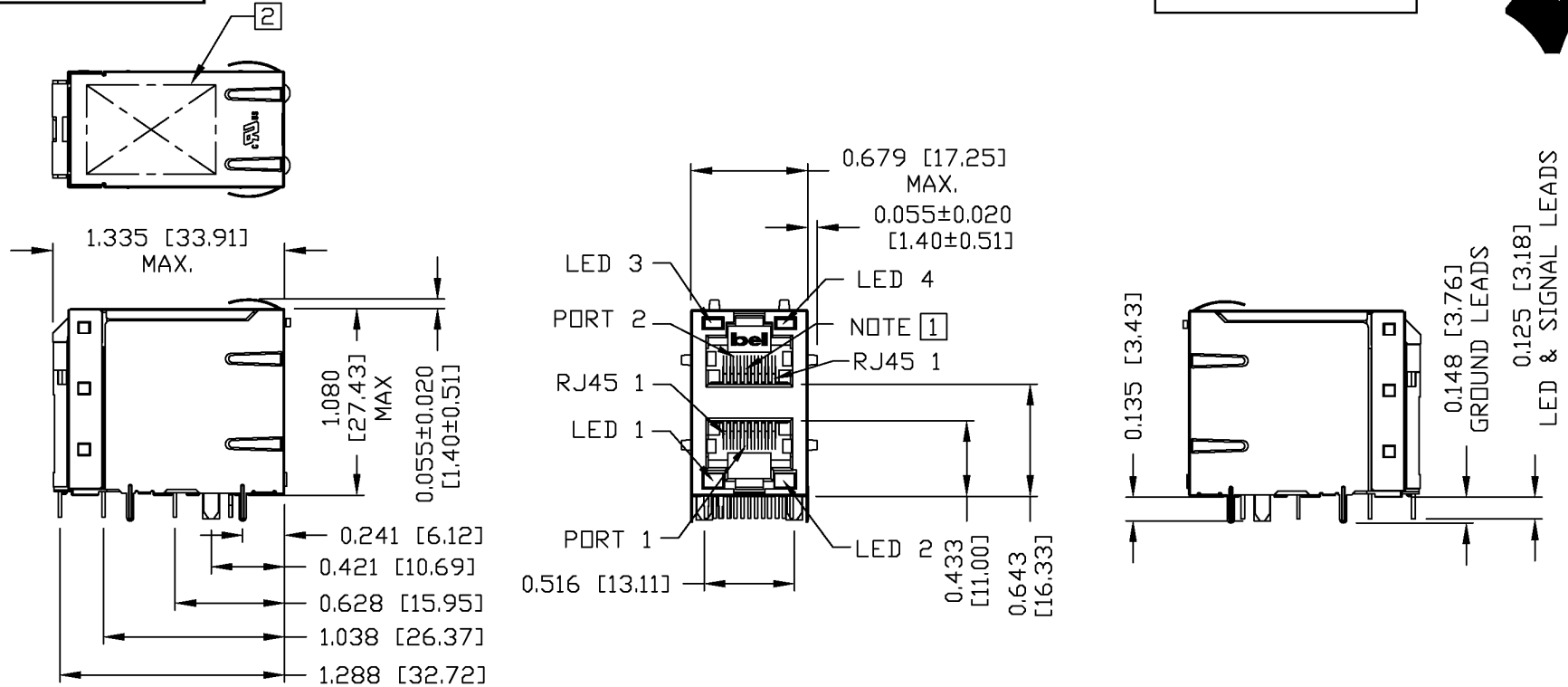
PART NO. / DRAWING NO.	STANDARD DIM.	[] METRIC DIM. AS REFERENCE
0845-2G1T-H6	TOL. IN INCH	UNIT : INCH [mm] REV. : PC
FILE NAME	.X	SCALE : N/A SIZE : A4
08452G1TH6PC.DWG	.XX	⊕
	.XXX	PAGE : 3

COMPONENTS FOR A CONNECTED PLANET



THE INFORMATION CONTAINED HEREIN IS CONSIDERED "PROPRIETARY" TO BEL FUSE INC. AND SHALL NOT BE COPIED, REPRODUCED OR DISCLOSED WITHOUT THE WRITTEN APPROVAL OF BEL FUSE INC.

PRELIMINARY



NOTES:

PLASTIC HOUSING: THERMOPLASTIC PBT
 FLAMMABILITY RATING UL 94V-0
 CONTACT PLATING: 50 MICRO-INCH HARD GOLD PLATING
 OUTPUT PINS: TIN-COATED COPPER WIRE, DIA 0.018 INCH.
 METAL SHIELD: NICKEL PLATED ON COPPER ALLOY.
 (ALL GROUND LEADS ARE SOLDER DIPPED)

[1] JACK CAVITY CONFORMS TO FCC RULES AND REGULATIONS, PART 68 SUBPART F.

[2] MARK PART WITH MFG LOGO, MFG NAME, PART NUMBER, AND DATE CODE.

RoHS COMPLIANCE, PER EU DIRECTIVE 2002/95/EC.

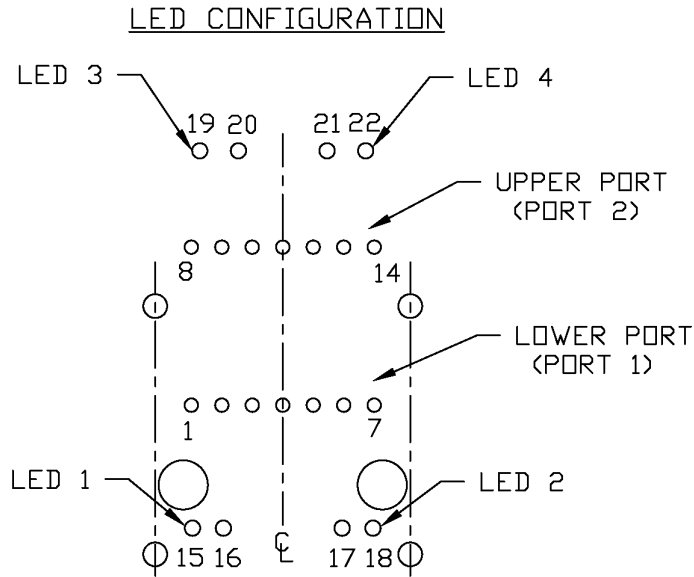
UL RECOGNIZED - FILE #E196366 AND E169987.

ORIGINATED BY BILL/KEUNG	DATE 12-27-05	TITLE 2X1 MagJack® (with LED)	PART NO. / DRAWING NO. 0845-2G1T-H6		STANDARD DIM. TOL. IN INCH		[] METRIC DIM. AS REFERENCE	
			FILE NAME 08452G1TH6PC.DWG		.X		UNIT : INCH [mm]	REV. : PC
DRAWN BY QIN	DATE 12-27-05				.XX		SCALE : N/A	SIZE : A4
					.XXX	±0.010		PAGE : 4

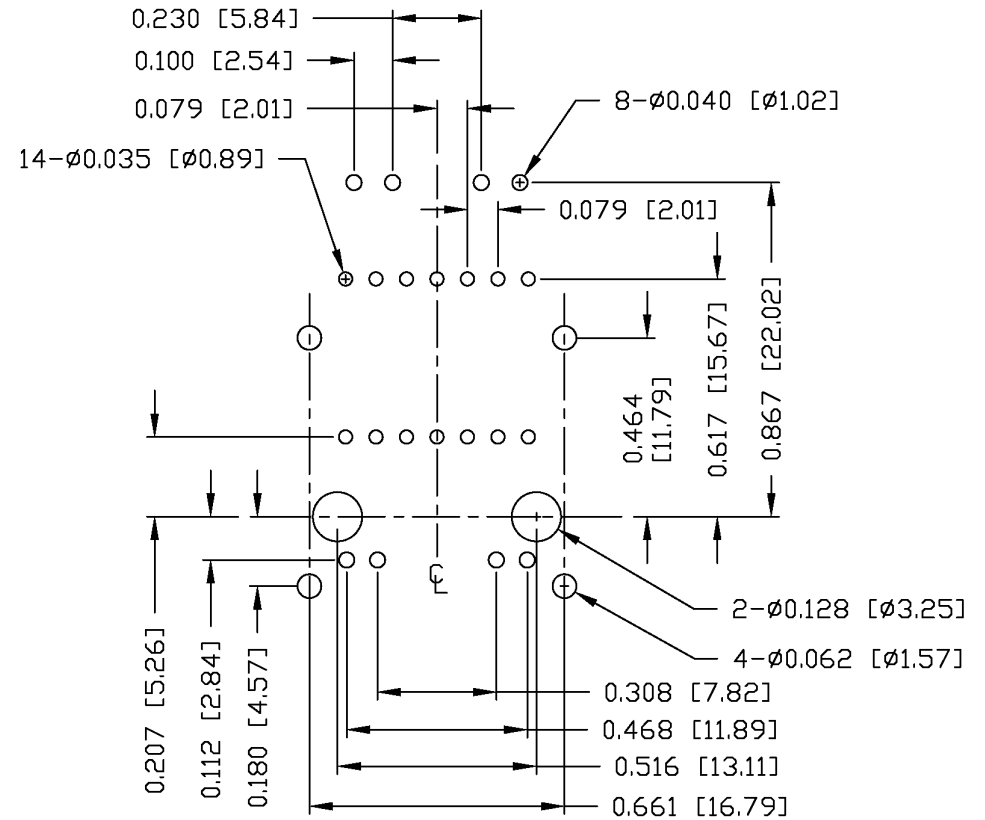


THE INFORMATION CONTAINED HEREIN IS CONSIDERED 'PROPRIETARY' TO BEL FUSE INC. AND SHALL NOT BE COPIED, REPRODUCED OR DISCLOSED WITHOUT THE WRITTEN APPROVAL OF BEL FUSE INC.

PRELIMINARY



PIN-OUT INFORMATION
(COMPONENT SIDE VIEW)
(SCALE 2:1)



SUGGESTED FOOTPRINT
(COMPONENT SIDE VIEW)
(SCALE 2:1)

ORIGINATED BY BILL/KEUNG	DATE 12-27-05	TITLE 2X1 MagJack® (with LED)	PART NO. / DRAWING NO. 0845-2G1T-H6		STANDARD DIM. TOL. IN INCH	[] METRIC DIM. AS REFERENCE	
	DRAWN BY QIN		DATE 12-27-05	FILE NAME 08452G1TH6PC.DWG	.X .XX .XXX	±0.004	UNIT : INCH [mm] SCALE : N/A

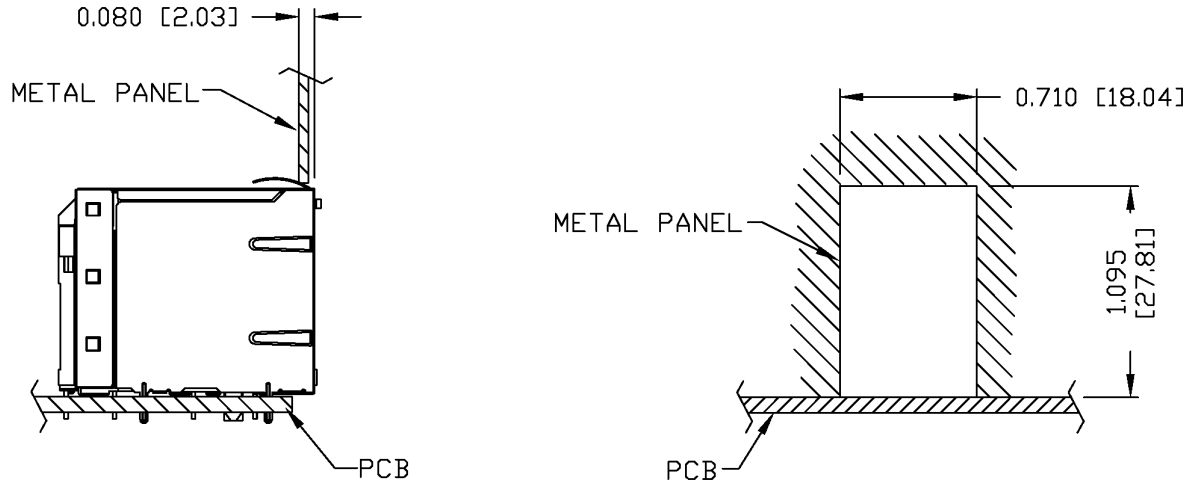


THE INFORMATION CONTAINED HEREIN IS CONSIDERED 'PROPRIETARY' TO BEL FUSE INC. AND SHALL NOT BE COPIED, REPRODUCED OR DISCLOSED WITHOUT THE WRITTEN APPROVAL OF BEL FUSE INC.

PRELIMINARY



SUGGESTED PANEL OPENING



NOTE:

THE DISTANCE OF PANEL INSIDE SURFACE RELATIVE TO FRONT SURFACE OF PART IS ONLY A SUGGESTION. IN CASE THIS DISTANCE IS DIFFERENT, THE REQUIRED PANEL OPENING DIMENSIONS CHANGE ACCORDINGLY.

PACKING INFORMATION

PACKING TRAY: 0200-9999-H5 (TOP)
0200-9999-H6 (BOTTOM)

PACKING QUANTITY: 40 PCS FINISHED GOODS PER TRAY
6 TRAYS (240 PCS FINISHED GOODS) PER CARTON BOX.

NOTE: CARDBOARD ARE PLACED BETWEEN LAYERS OF PACKING TRAY INSIDE CARTON BOX.
(INCLUDE THE UPPERMOST AND LOWEREST TRAY)

ORIGINATED BY BILL/KEUNG	DATE 12-27-05	TITLE 2X1 MagJack® (with LED)	PART NO. / DRAWING NO. 0845-2G1T-H6		STANDARD DIM. TOL. IN INCH		[] METRIC DIM. AS REFERENCE	
			FILE NAME 08452G1TH6PC.DWG		.X .XX .XXX	±0.004	UNIT : INCH [mm]	REV. : PC
DRAWN BY QIN	DATE 12-27-05						SCALE : N/A	SIZE : A4
								PAGE : 6

