

# PJ Open Frame Power Supply

## 12 V 150 W 1 Phase / PJ-12V150W□□A



# PJ

### Highlights & Features

- Universal AC Input (85 Vac – 264 Vac)
- Low Inrush Current / Low Leakage Current
- High efficiency and PF factor to conserve energy
- Conforms to harmonic current IEC/EN/BS EN 61000-3-2, Class D
- Conformal coating on PCBA to protect against chemical and dust pollutants
- Remote ON/OFF (Optional for 150 W)
- Versatile configuration options: Open Frame, L Frame, Enclosed
- Long life capacitors

### Safety Standards



CB Certified for worldwide use

<b>Model Number:</b>	PJ-12V150W□□A
<b>Unit Weight:</b>	<b>Open Frame:</b> 0.30 kg (0.66 lb) <b>Enclosed:</b> 0.51 kg (1.12 lb)
<b>Dimensions (L x W x H):</b>	<b>Open Frame:</b> 160 x 75 x 37 mm (6.29 x 2.95 x 1.45 inch) <b>Enclosed:</b> 188 x 85 x 47 mm (7.40 x 3.34 x 1.85 inch)

### General Description

The PJ series of Open Frame Power Supply comes with universal AC input at 85 Vac to 264 Vac. Other features include low leakage / Inrush current and conformal coating on the PCBAs to provide protection against dust and chemical pollutants. The built-in active PFC provides PF > 0.97 and fulfills Harmonic Current Emission according to IEC/EN/BS EN 61000-3-2. The PJ series is certified for EMC standards according to EN/BS EN 55011 for industrial, scientific and medical (ISM) radio-frequency equipment and EN/BS EN 55032 for Industrial Technology Equipment (ITE) radio-frequency equipment and EMS according to EN/BS EN 55024. In addition, the detachable input and output connectors are from JST and only recognized Japanese capacitors are used.

Metal chassis and case cover are available as options for different installation preferences. The PJ series conforms to major international safety standards according to EN/UL 62368-1 standards and are fully compliant with RoHS Directive for environmental protection.

### Model Information

PJ Open Frame Power Supply

Model Number	Input Voltage Range	Output Voltage	Output Current
PJ-12V150W□□A	85-264 Vac	12 Vdc	12.5 A

### Model Numbering

				CC Code	
<b>PJ –</b>	<b>12V</b>	<b>150W</b>	<b>□</b>	<b>□</b>	<b>A</b>
PJ Series	Output Voltage	Output Power	Product Type B - Open Frame L - L Frame C – Enclosed	Remote ON/OFF Function N - No Remote ON/OFF R - With Remote ON/OFF	Delta Standard

# PJ Open Frame Power Supply

## 12 V 150 W 1 Phase / PJ-12V150W□□A

### Specifications

#### Input Ratings / Characteristics

Nominal Input Voltage	100-240 Vac
Input Voltage Range	85-264 Vac
Nominal Input Frequency	50-60 Hz
Input Frequency Range	47-63 Hz
Input Current	1.90 A typ. @ 100 Vac, 0.95 A typ. @ 200 Vac
Efficiency at 100% Load	88.0% typ. @ 100 Vac, 91.0% typ. @ 200 Vac
Max Inrush Current (Cold Start)	15 A typ. @ 100 Vac, 30A typ. @ 200 Vac
Power Factor Correction	0.99 typ. @ 100 Vac, 0.97 typ. @ 200 Vac
Leakage Current	0.2 mA @ 100 Vac, 0.4 mA @ 240 Vac

#### Output Ratings / Characteristics

Nominal Output Voltage	12 Vdc
Output Voltage Tolerance	± 1% (initial set point tolerance from factory)
Output Voltage Adjustment Range	10.8-13.2 Vdc
Output Current	12.5 A
Output Power	150 W
Line Regulation	< 48 mV
Load Regulation	< 100 mV
Ripple (20MHz)	< 120 mVpp @ 0°C to 50°C, < 160 mVpp @ -10°C to 0°C
Ripple Noise (20MHz)	< 150 mVpp @ 0°C to 50°C, < 180 mVpp @ -10°C to 0°C
Start-up Time	500 ms typ. @ 100 Vac
Hold-up Time	20 ms typ. @ 100 Vac
Dynamic Response (Overshoot & Undershoot O/P Voltage)	± 5% @ 0-50% load and 50-100% load (Slew Rate: 0.1A/μS)
Start-up with Capacitive Loads	6,000 μF Max

### Mechanical

Case Cover / Chassis		SGCC
Dimensions (L x W x H)	Open Frame Enclosed	160 x 75 x 37 mm (6.29 x 2.95 x 1.45 inch) 188 x 85 x 47 mm (7.40 x 3.34 x 1.85 inch)
Unit Weight	Open Frame Enclosed	0.30 kg (0.66 lb) 0.51 kg (1.12 lb)
Indicator		NA
Cooling System		Convection
Terminal	Input Output	JST B3P5-VH (LF)(SN) V-: JST B7P-VH (LF)(SN), V+: JST B6P-VH (LF)(SN)
Wire		AWG 22-18

# PJ Open Frame Power Supply

## 12 V 150 W 1 Phase / PJ-12V150W□□A

### Environment

Surrounding Air Temperature	Operating	-10°C to +70°C
	Storage	-25°C to +75°C
Power De-rating	Mounting Orientation A	> 50°C de-rate power by 2% / °C < 90Vac de-rate power by 2% / V
Operating Humidity		5 to 95% RH (Non-Condensing)
Operating Altitude		0 to 5,000 Meters (16,400 ft)
Shock Test (Non-Operating)		IEC 60068-2-27, 196.1m/S <sup>2</sup> (20G), 11 ms, once along X, Y, and Z axis
Vibration (Operating)		IEC 60068-2-6, 10 Hz to 55 Hz @ 19.6 m/S <sup>2</sup> (2 G); 3 min period, 60 min per axis for all X, Y, Z direction

### Protections

Overvoltage	13.8-16.8 V, Latch Mode
Overload / Overcurrent	> 105% of rated load current, Hiccup Mode, Non-Latching (Auto-Recovery)
Over Temperature	Latch Mode
Short Circuit	Hiccup Mode, Non-Latching (Auto-Recovery when the fault is removed)
Protection Against Shock	Class I with PE* connection

\*PE: Primary Earth

### Reliability Data

MTBF	> 200,000 hrs. as per JEITA RCR-9102B
Expected Cap Life Time	10 years (115Vac, 50% load @ 40°C)

### Safety Standards / Directives

Electrical Safety	TUV Bauart UL/cUL Recognized  cCSAus  CB scheme	EN 60950-1, EN 62368-1 UL 60950-1 and CSA C22.2 No. 60950-1 (File No. E131881) CAN/CSA C22.2 No. 62368-1 and ANSI/UL 62368-1 (File No. E131881) IEC 60950-1, IEC 62368-1
ITE		IEC 60950-1
CE		In conformance with EMC Directive 2014/30/EU and Low Voltage Directive 2014/35/EU
UKCA		In conformance with Electromagnetic Compatibility Regulations 2016 and Electrical Equipment (Safety) Regulations 2016
Galvanic Isolation	Input to Output	3.0 KVac
	Input to Ground	2.0 KVac
	Output to Ground	0.5 KVac

# PJ Open Frame Power Supply

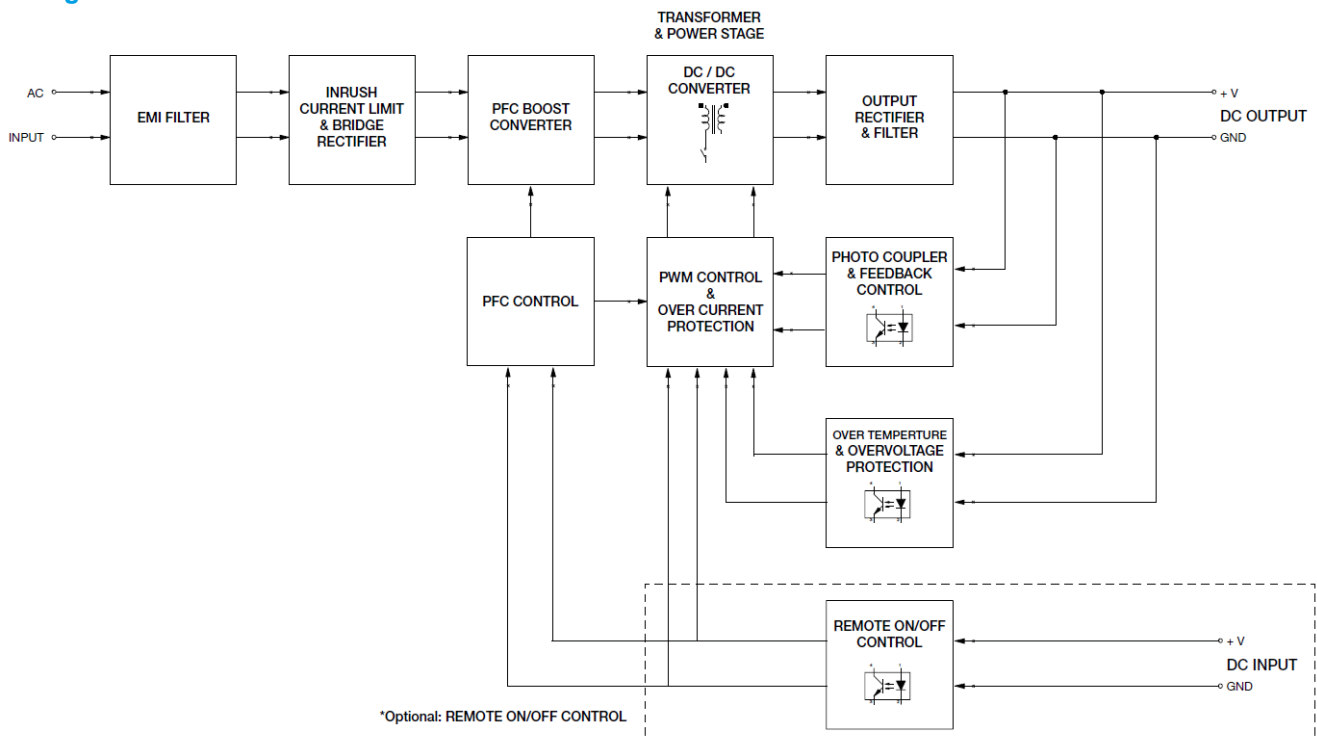
## 12 V 150 W 1 Phase / PJ-12V150W□□A

### EMC

EMC / Emissions		CISPR 32, EN/BS EN 55032, FCC Title 47: Class B
Immunity to		EN/BS EN 55024
Electrostatic Discharge	IEC 61000-4-2	Level 4 Criteria A <sup>1)</sup> Air Discharge: 15 kV Contact Discharge: 8 kV
Radiated Field	IEC 61000-4-3	Level 3 Criteria A <sup>1)</sup> 80 MHz-1 GHz, 10 V/M with 1 kHz tone / 80% modulation
Electrical Fast Transient / Burst	IEC 61000-4-4	Level 3 Criteria A <sup>1)</sup> 2 kV
Surge	IEC 61000-4-5	Level 3 Criteria A <sup>1)</sup> Common Mode <sup>2)</sup> : 2 kV Differential Mode <sup>3)</sup> : 1 kV
Conducted	IEC 61000-4-6	Level 3 Criteria A <sup>1)</sup> 150 kHz-80 MHz, 10 Vrms
Power Frequency Magnetic Fields	IEC 61000-4-8	Criteria A <sup>1)</sup> Magnetic field strength 30 A/Meter
Voltage Dips	IEC 61000-4-11	100% dip; 1 cycle (20ms); Self Recoverable
Low Energy Pulse Test (Ring Wave)	IEC 61000-4-12	Level 3 Criteria A <sup>1)</sup> Common Mode <sup>2)</sup> : 2 kV Differential Mode <sup>3)</sup> : 1 kV
Harmonic Current Emission		IEC/EN/BS EN 61000-3-2, Class D
Voltage Fluctuation and Flicker		IEC/EN/BS EN 61000-3-3

- 1) Criteria A: Normal performance within the specification limits
- 2) Asymmetrical: Common mode (Line to earth)
- 3) Symmetrical: Differential mode (Line to line)

### Block Diagram

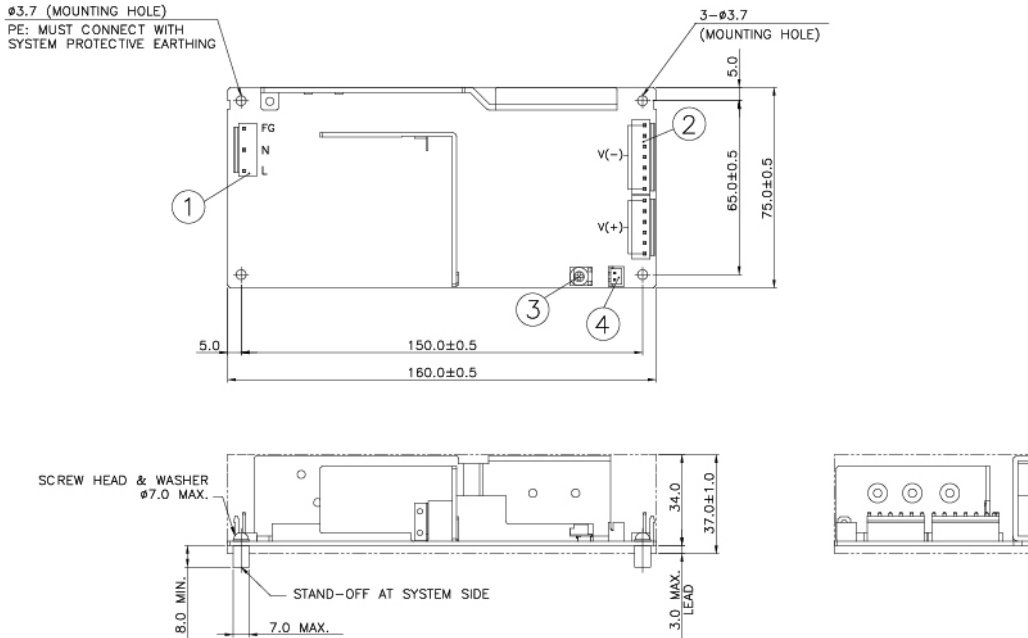


# PJ Open Frame Power Supply

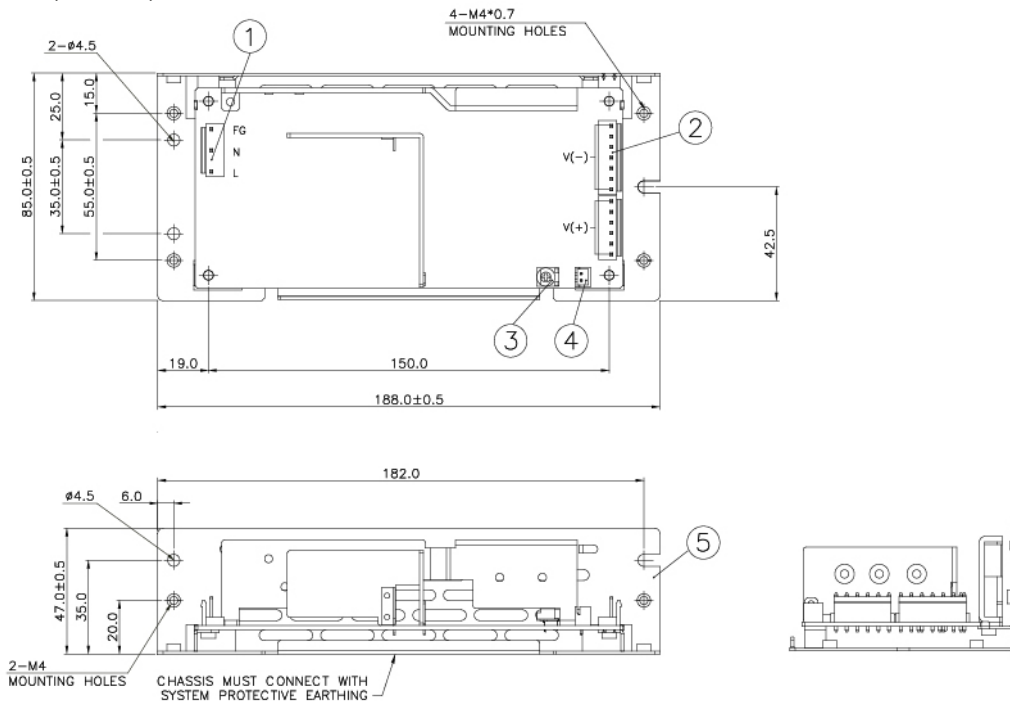
## 12 V 150 W 1 Phase / PJ-12V150W□□A

### Dimensions

L x W x H: 160 x 75 x 37 mm (Open Frame)



L x W x H: 188 x 85 x 47 mm (L Frame)



Item	Device Description
1	Input Connector
2	Output Connector
3	VR
4	Remote ON/OFF (JST B2B-XH-A)
5	Chassis

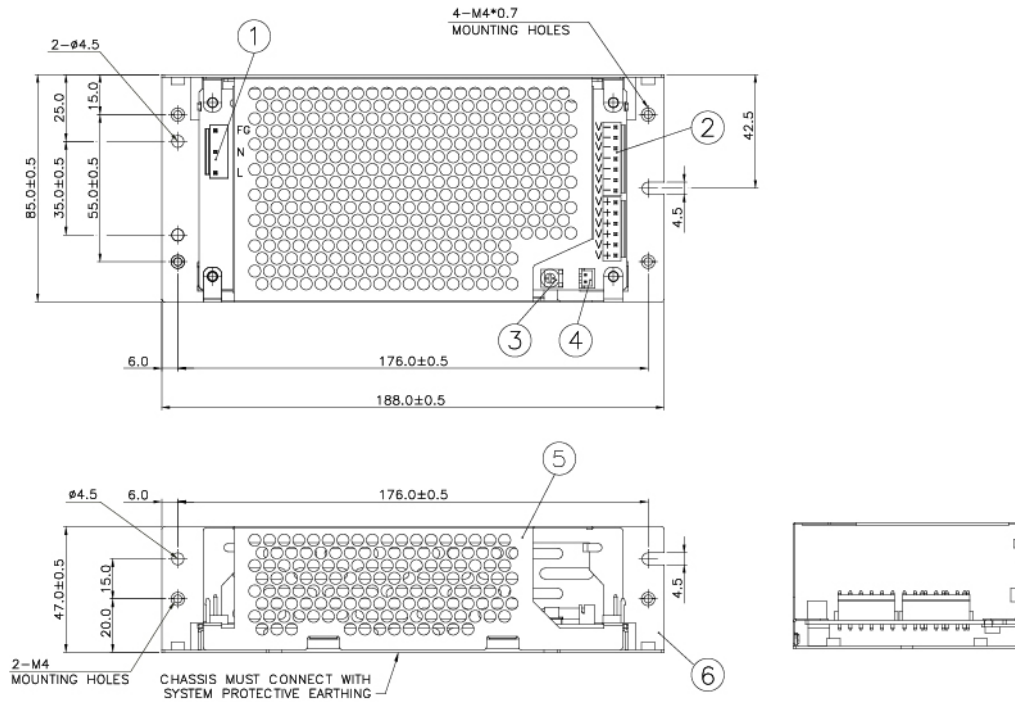
### Notes

- Dimensions are in mm
- For information on Mounting Torque, and I/O Connector and Housing, please refer to the Instruction Manual.
- For L Frame type: There are 6 threaded mounting holes and 5 normal mounting holes.
- For Open Frame type: There are 4 normal mounting holes.

# PJ Open Frame Power Supply

## 12 V 150 W 1 Phase / PJ-12V150W□□A

L x W x H: 188 x 85 x 47 mm (Enclosed)



Item	Device Description
1	Input Connector
2	Output Connector
3	VR
4	Remote ON/OFF (JST B2B-XH-A)
5	Cover
6	Chassis

### Notes

- Dimensions are in mm
- For information on Mounting Torque, and I/O Connector and Housing, please refer to the Instruction Manual.
- For Enclosed type: There are 6 threaded mounting holes and 5 normal mounting holes.

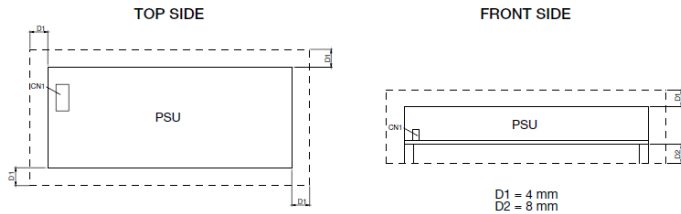
# PJ Open Frame Power Supply

## 12 V 150 W 1 Phase / PJ-12V150W□□A

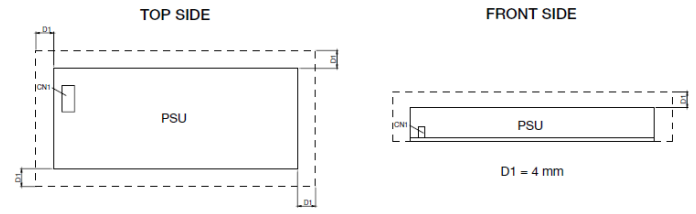
### Assembly & Installation

#### Assembly Reference

##### ■ Open Frame



##### ■ L Frame / Enclosed



For safety reasons, please ensure the mounted device is kept at  $\geq 4$  mm safety distance at all sides from other components and equipments. **Please insert an insulation sheet between the system and product, if the safety distance is less than 4mm.**

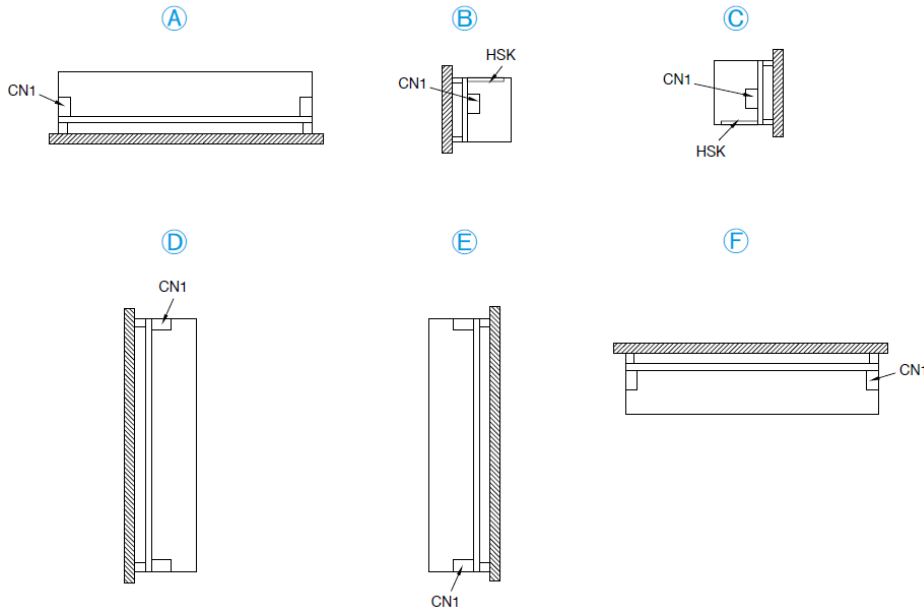
- Use flexible cable (stranded or solid) of AWG No. 22-18. Please refer to Table 1 for the recommended Housing and Terminal.
- For the Remote ON/OFF function, use flexible cable (stranded or solid) of AWG No. 28-22.

Table 1	Connector (Board Mounting)	Housing	Terminal
Input (JST)	B3P5-VH(LF)(SN)	VHR-5N	SVH-21T-P1.1
Output (JST)(V-)	B7P-VH(LF)(SN)	VHR-7N	
Output (JST)(V+)	B6P-VH(LF)(SN)	VHR-6N	
Remote ON/OFF Function (Option)	B2B-XH-A(LF)(SN)	XHP-2	SXH-001T-P0.6

# PJ Open Frame Power Supply

## 12 V 150 W 1 Phase / PJ-12V150W□□A

### Mounting Orientation



- Any excessive twisting or bending may damage the device's PCB. Please handle the device with care.
- The device is not recommended to be placed on low thermal conductive surfaces. For example, plastics.
- Prevent any foreign metal, particles or conductors from entering the device through the openings during installation. It may cause: -Electric shock; Safety hazard; Product failure.
- **The power supply must be mounted by metal screws onto a grounded metal surface. It is highly recommended that the Earth terminal on the connector be connected to the grounded metal surface.**

### Engineering Data

#### Convection

##### ■ Open Frame / L Frame

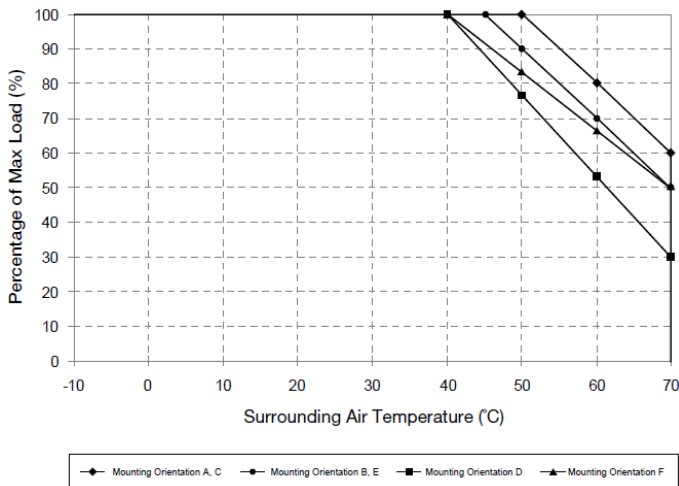


Fig.1.1 De-rating for Mounting Orientation A, C  
 > 50°C de-rate power by 2% / °C  
 De-rating for Mounting Orientation B, E  
 > 45°C de-rate power by 2% / °C  
 De-rating for Mounting Orientation D  
 > 40°C de-rate power by 2.33% / °C  
 De-rating for Mounting Orientation F  
 > 40°C de-rate power by 1.66% / °C

##### ■ Enclosed

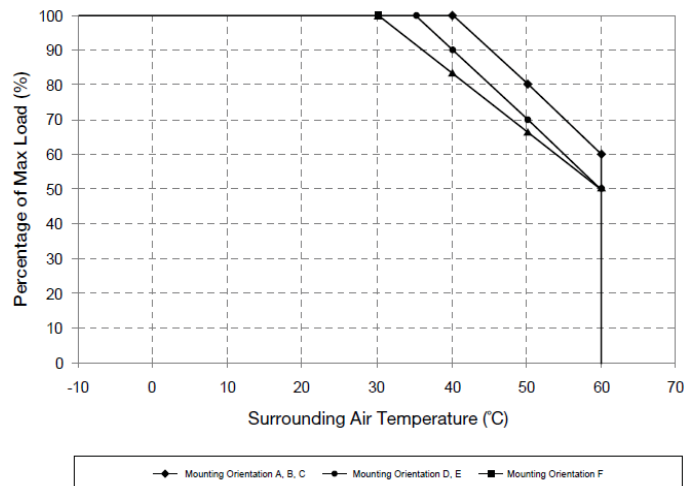


Fig.1.2 De-rating for Mounting Orientation A, B, C  
 > 40°C de-rate power by 2% / °C  
 De-rating for Mounting Orientation D, E  
 > 30°C de-rate power by 1.66% / °C  
 De-rating for Mounting Orientation F  
 > 35°C de-rate power by 2% / °C

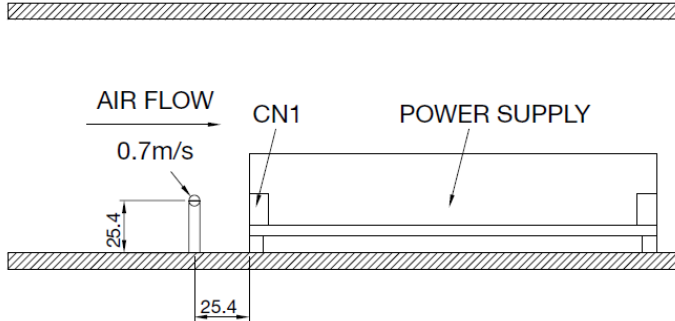


# PJ Open Frame Power Supply

## 12 V 150 W 1 Phase / PJ-12V150W□□A

Forced Cooling (Air Velocity > 0.7 m/s)

■ Air Flow Direction



■ Open Frame / L Frame

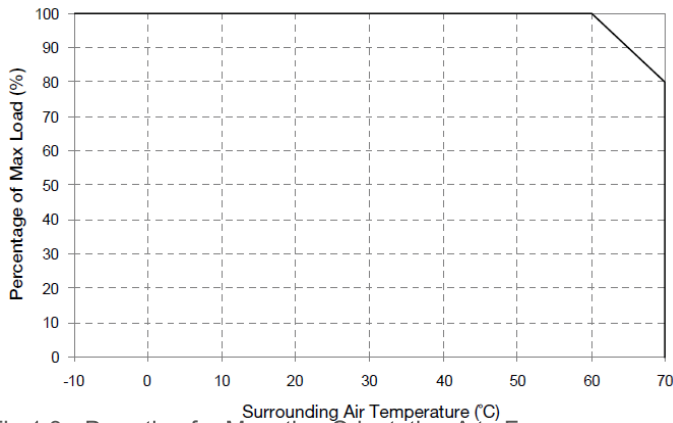


Fig.1.3 De-rating for Mounting Orientation A to F  
> 60°C de-rate power by 2% / °C

■ Enclosed

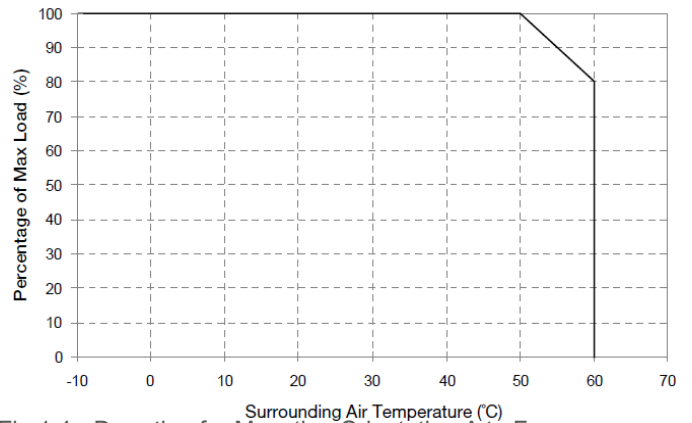


Fig.1.4 De-rating for Mounting Orientation A to F  
> 50°C de-rate power by 2% / °C

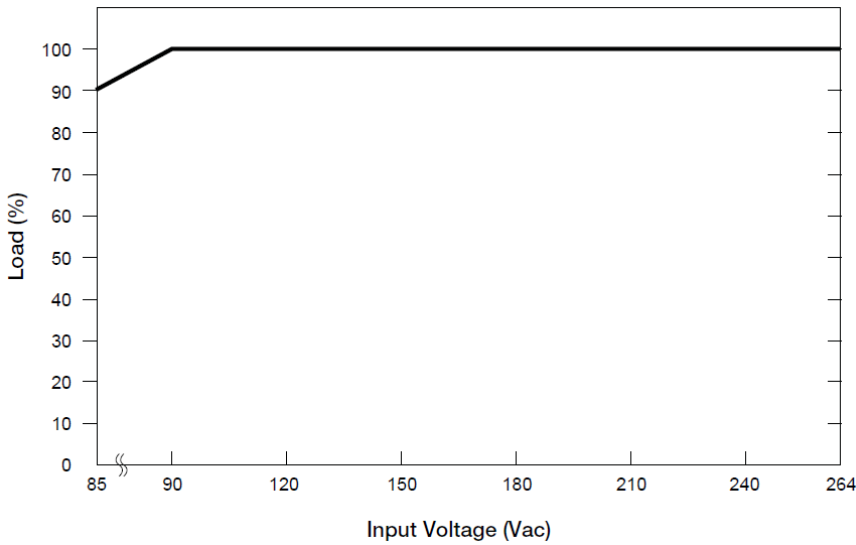
### Notes

1. Power supply components may degrade, or be damaged, when the power supply is continuously used outside the shaded region, refer to the graphs shown above.
2. If the output capacity is not reduced when the surrounding air temperature is more than the upper limit temperature, the device will run into Over Temperature Protection. When activated, the output voltage will go into bouncing mode and will recover when the surrounding air temperature is lowered or the load is reduced as far as necessary to keep the device in working condition.
3. Depending on the surrounding air temperature and output load delivered by the power supply, the device housing can be very hot!
4. If the device has to be mounted in any other orientation, please do not hesitate to contact [info@deltapsu.com](mailto:info@deltapsu.com) for more details.

# PJ Open Frame Power Supply

## 12 V 150 W 1 Phase / PJ-12V150W□□A

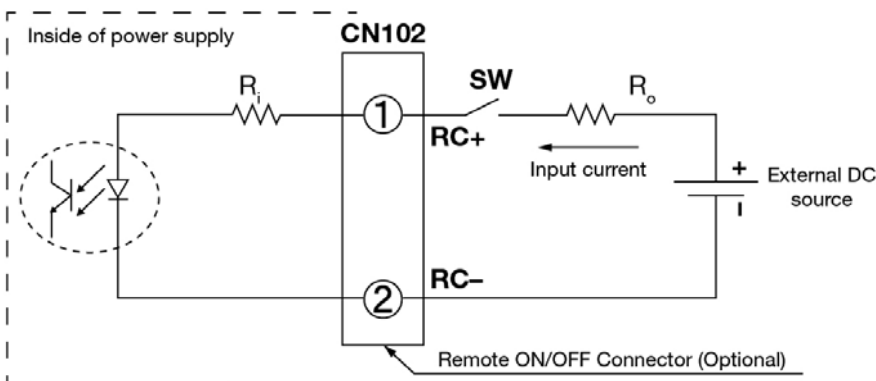
### Output De-rating VS. Input Voltage



■ No output power de-rating for the input voltage range from 90 Vac to 264 Vac

### Functional Manual

#### Remote ON/OFF Function



You can remotely control the power supply unit to turn ON/OFF by using an external DC source. Follow the DC power source voltage and current limiting defined in the table below.

Built-in Resistor $R_i$ (ohm)	Voltage Between RC+ and RC- (V)		Input Current (mA)
	Output ON	Output OFF	
1k	5-12.5	0-0.5	20 Max

#### Notes

1. Remote ON/OFF circuits are isolated from input, output and PE.
2. Please check if the polarity of the wire connector is the same as the external DC source. If not, the power would not turn on and the internal components may be damaged.
3. You do not need an external resistance  $R_o$  for current limit while the output voltage of external DC source is within the range of 5-12.5 V. If the output voltage exceeds 12.5 V, please use the following equation for the value of current limit resistance  $R_o$ .

$$R_o = \frac{V_{cc} - (3.5 + 0.006R_i)}{0.006}$$

# PJ Open Frame Power Supply

## 12 V 150 W 1 Phase / PJ-12V150W□□A

### Functions

#### Start-up Time

The time required for the output voltage to reach 90% of its final steady state set value, after the input voltage is applied.

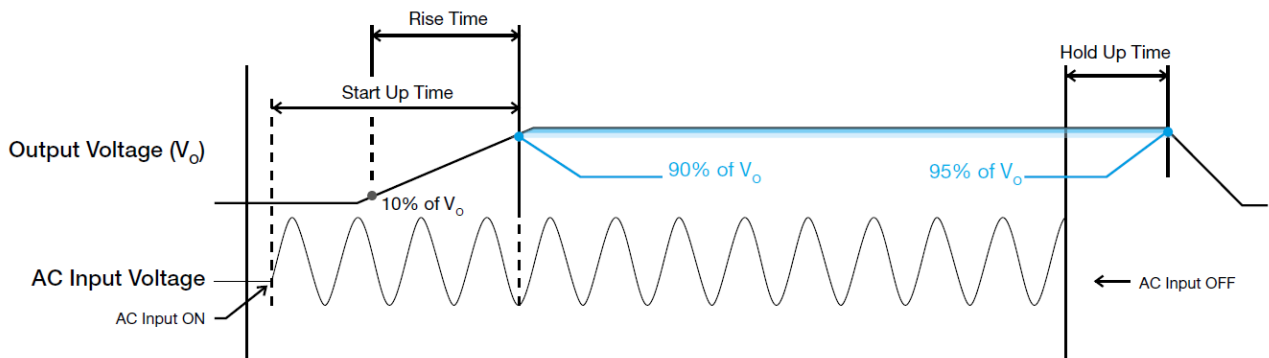
#### Rise Time

The time required for the output voltage to change from 10% to 90% of its final steady state set value.

#### Hold-up Time

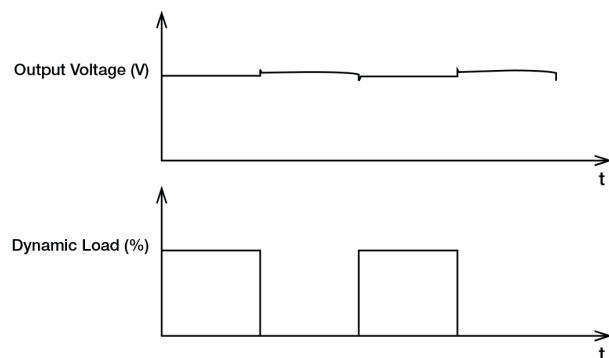
Time between the collapse of the AC input voltage, and the output falling to 95% of its steady state set value.

### ■ Graph illustrating the Start-up Time, Rise Time, and Hold-up Time



### Dynamic Response

The power supply output voltage will remain within  $\pm 5\%$  of its steady state value, when subjected to a dynamic load from 0% to 100% of its rated current.

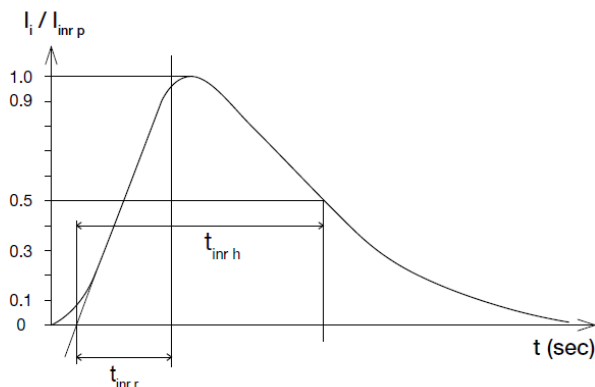


# PJ Open Frame Power Supply

## 12 V 150 W 1 Phase / PJ-12V150W□□A

### Inrush Current

Inrush current is the peak, instantaneous, input current measured and, occurs when the input voltage is first applied. For AC input voltages, the maximum peak value of inrush current will occur during the first half cycle of the applied AC voltage. This peak value decreases exponentially during subsequent cycles of AC voltage.



### Overvoltage Protection

The power supply's overvoltage circuit will be activated when its internal feedback circuit fails. The output voltage shall not exceed its specifications defined on Page 3 under "Protections".

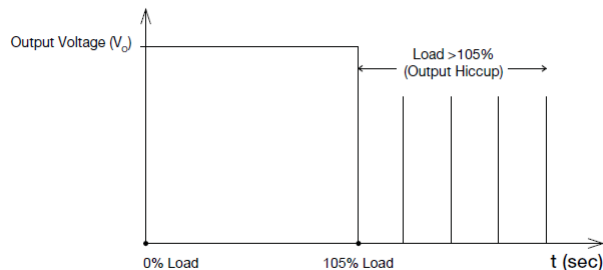
**The power supply should be latch.**

### Short Circuit Protection

The power supply's output OLP/OCP function also provides protection against short circuits. When a short circuit is applied, the output current will operate in "Hiccup mode", as shown in the illustration in the OLP/OCP section on this page. The power supply will return to normal operation after the short circuit is removed.

### Overload & Overcurrent Protections

The power supply's Overload (OLP) and Overcurrent (OCP) Protections will be activated when output current exceeds 105% of  $I_o$  (Max load). In such occurrence, the  $V_o$  will start to droop and once the power supply has reached its maximum power limit, the protection is activated and the power supply will go into "Hiccup mode" (Auto-Recovery). The power supply will recover once the fault condition of the OLP and OCP is removed and  $I_o$  is back within the specifications.



Additionally, if the  $I_o$  is  $<105\%$  but  $>100\%$  for a prolonged period of time (depending on the load), the Over Temperature Protection (OTP) will be activated due to high temperature on critical components. The power supply will then go into latch mode until the fault is removed and the mains is reapplied.

### Over Temperature Protection

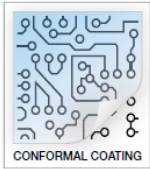
As mentioned above, the power supply also has Over Temperature Protection (OTP). This is activated when the overload condition persists for an extended duration and the output current is below the overload trigger point but  $>100\%$  load. In the event of a higher operating condition at 100% load, the power supply will run into OTP when the surrounding air temperature is higher than the operating temperature. When activated, the output voltage will go into latch mode until the mains is reapplied and the surrounding air temperature drops to its normal operating temperature.

# PJ Open Frame Power Supply

## 12 V 150 W 1 Phase / PJ-12V150W□□A

### Others

#### Conformal Coating



#### The Protective Coating Technology

Delta Electronics Group has designed the perfect dipping technique which penetrates everywhere including under device, and prevents leakage. The conformal coating dipping can be applied to PCBs or circuit board. The coating preserves the performance of precision electronic primarily by preventing ionizable contaminants such as salt from reaching circuit nodes, where the material slumps around sharp edges. This can be a problem especially in highly conversing atmosphere.

### Attention

Delta provides all information in the datasheets on an "AS IS" basis and does not offer any kind of warranty through the information for using the product. In the event of any discrepancy between the information in the catalog and datasheets, the datasheets shall prevail (please refer to [www.DeltaPSU.com](http://www.DeltaPSU.com) for the latest datasheets information). Delta shall have no liability of indemnification for any claim or action arising from any error for the provided information in the datasheets. Customer shall take its responsibility for evaluation of using the product before placing an order with Delta.

Delta reserves the right to make changes to the information described in the datasheets without notice.

### Manufacturer and Authorized Representatives Information

#### Manufacturer

##### Thailand

Delta Electronics (Thailand) PCL.  
909 Pattana 1 Rd., Muang, Samutprakarn, 10280 Thailand

##### Taiwan

Delta Electronics, Inc.  
3 Tungyuan Road, Chungli Industrial Zone, Taoyuan County  
32063, Taiwan

#### Authorized Representatives

##### The Netherlands

Delta Greentech (Netherlands) B.V.  
Zandsteen 15, 2132 MZ Hoofddorp, The Netherlands

##### United Kingdom

Delta Electronics Europe Limited  
1 Redwood Court, Peel Park Campus,  
East Kilbride, Glasgow, G74 5PF, United Kingdom