

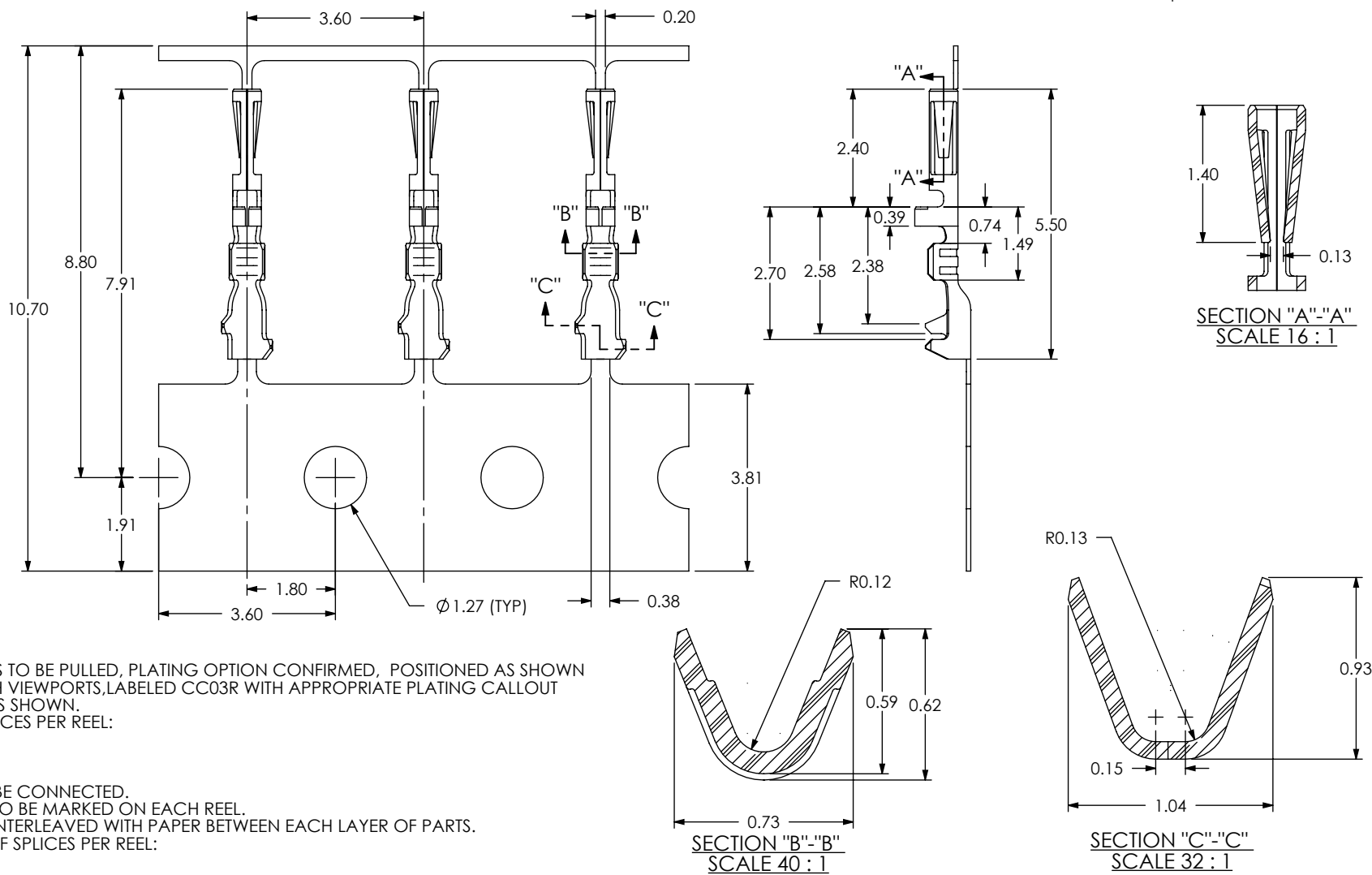
**ALL DIMENSIONS ARE REFERENCE**  
(SEE C-C396-XXXX-X FOR CONTROLLING PRINT)

LEAD STYLE  
-3234: 32 AWG (FEP)

REEL SPECIFICATION  
-U: MICRO REEL (4K CONTACTS)  
-M: MINI REEL (15K CONTACTS)  
-R: REEL (50K CONTACTS)

PLATING SPECIFICATION  
-G: 10 μ" GOLD IN CONTACT AREA,  
3 μ" GOLD ON TAIL

DO NOT  
SCALE FROM  
THIS PRINT



- NOTES:
1. PLATED C-C396 PARTS TO BE PULLED, PLATING OPTION CONFIRMED, POSITIONED AS SHOWN ON SAMTEC REEL WITH VIEWPORTS, LABELED CC03R WITH APPROPRIATE PLATING CALLOUT AND LABEL PLACED AS SHOWN.
  2. MAXIMUM NO OF SPLICES PER REEL:  
-U: 1  
-M: 1  
-R: 2
  3. SPLICES ARE NOT TO BE CONNECTED.
  4. NUMBER OF SPLICES TO BE MARKED ON EACH REEL.
  5. REELED PARTS TO BE INTERLEAVED WITH PAPER BETWEEN EACH LAYER OF PARTS.
  6. ALLOWABLE INTERLEAF SPLICES PER REEL:  
-U: 1  
-M: 1  
-R: 1
  7. SECURELY CONNECT INTERLEAF SPLICE.
  8. OUTER WRAP FOR PROTECTIVE REEL BAND AS BELOW:  
-U: CRT-016-0.018  
-M: CRT-016-0.018  
-R: RB-24-0.75-P
  9. DUE TO PLATING REQUIREMENTS CONTACT SAMPLES MAY BE REMOVED INTERMITTINGLY FROM THE CARRIER RESULTING IN SMALL GAPS BUT DOES NOT AFFECT FINAL COUNT.
  10. QTY PER REEL:  
-U: 4,000+150/-0 PCS  
-M: 15,000+300/-0 PCS  
-R: 50,000+300/0

<p>UNLESS OTHERWISE SPECIFIED, DIMENSIONS ARE IN MILLIMETERS. TOLERANCES ARE: DECIMALS      ANGLES</p>	<p><b>PROPRIETARY NOTE</b> * THIS DOCUMENT CONTAINS CONFIDENTIAL AND PROPRIETARY INFORMATION AND ALL DESIGN, MANUFACTURING, REPRODUCTION, USE, PATENT RIGHTS AND SALES RIGHTS ARE EXPRESSLY RESERVED BY SAMTEC, INC. THIS DOCUMENT SHALL NOT BE DISCLOSED, IN WHOLE OR PART, TO ANY UNAUTHORIZED PERSON OR ENTITY NOR REPRODUCED, TRANSFERRED OR INCORPORATED IN ANY OTHER PROJECT IN ANY MANNER WITHOUT THE EXPRESS WRITTEN CONSENT OF SAMTEC, INC.</p>	<p><b>samtec</b> 520 PARK EAST BLVD, NEW ALBANY, IN 47150 PHONE: 812-944-6733    FAX: 812-948-5047 e-Mail: info@SAMTEC.com    code 55322</p>
<p>MATERIAL: DO NOT SCALE DRAWING      SHEET SCALE: 8:1 BeCu THICKNESS: 0.0889</p>	<p>DESCRIPTION: 0.8 mm PITCH DISCRETE WIRE CONTACT DWG. NO.      <b>CC396-XXXX-X-X</b> BY: J. BORGELT 07/23/2013      SHEET 1 OF 2</p>	

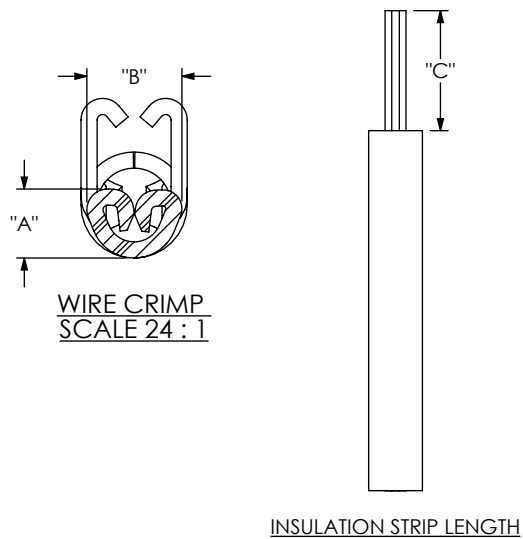
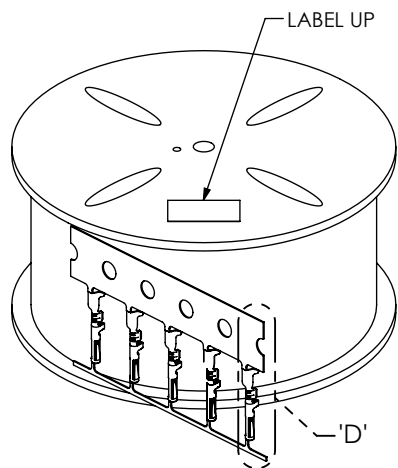


TABLE 1						
P/N	AWG	STRANDS/AWG	INSULATION OD	"A"	"B"	"C"
CC396-3234-X	32	7/40	0.584 - 0.635	0.305	0.533	1.520

FIG 2  
RECOMMENDED PROCESSING



SCALE 2:1

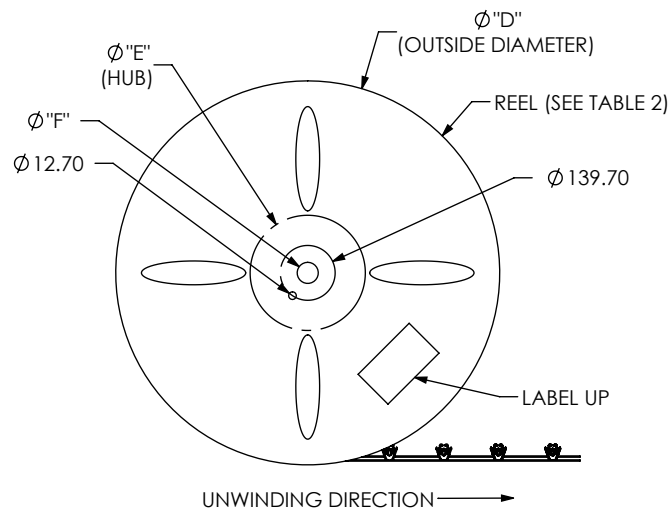
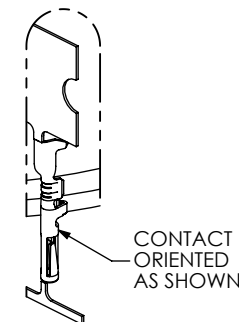


FIG 3  
REEL SPECIFICATIONS



DETAIL 'D'  
SCALE 4 : 1

TABLE 2

SUPPLIED	REEL PART NUMBER	"D"	"E"	"F"
-R	R-24-05.00-0.75-P	609.60	127.00	28.58
-M	MR-13.0-4.00-16	330.20	101.60	13.00
-U	MR-07.5-3.94-16	190.50	100.00	13.00

**PROPRIETARY NOTE**  
 THIS DOCUMENT CONTAINS CONFIDENTIAL AND PROPRIETARY INFORMATION AND ALL DESIGN, MANUFACTURING, REPRODUCTION, USE, PATENT RIGHTS AND SALES RIGHTS ARE EXPRESSLY RESERVED BY SAMTEC, INC. THIS DOCUMENT SHALL NOT BE DISCLOSED, IN WHOLE OR PART, TO ANY UNAUTHORIZED PERSON OR ENTITY NOR REPRODUCED, TRANSFERRED OR INCORPORATED IN ANY OTHER PROJECT IN ANY MANNER WITHOUT THE EXPRESS WRITTEN CONSENT OF SAMTEC, INC.

DO NOT SCALE DRAWING

SHEET SCALE: 5:1



520 PARK EAST BLVD, NEW ALBANY, IN 47150  
 PHONE: 812-944-6733 FAX: 812-948-5047  
 e-Mail: info@SAMTEC.com code 55322

DESCRIPTION:  
 0.8 mm PITCH DISCRETE WIRE CONTACT

DWG. NO.  
**CC396-XXXX-X-X**

BY: J. BORGELT 07/23/2013 SHEET 2 OF 2