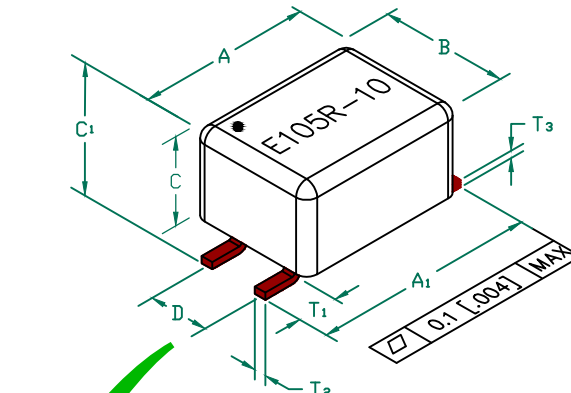


CC2824E105R-10

ELECTRICAL SPECIFICATION @ 25°C
OPERATING TEMPERATURE RANGE: 0°C TO +125°C

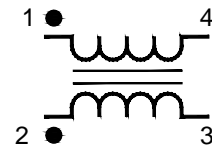
PARAMETER SYMBOL	TEST LEADS	CONDITIONS	REQUIREMENTS		
			MIN	TYP	MAX
Lp (μH)	1-4/2-3	@ 100KHz/ 10mV	700	1000	1500
L LEAKAGE (μH)	1-4 (s' 2-3)	@ 100KHz/ 10mV		0.20	
TRP			1 : 1 +/- 5%		
DCR(Ω)	1-4/2-3			0.20	0.26
Hi-pot	wdg-wdg	(Vac) .5mA, 2sec.	750		
RATED CURRENT (mA)					700
RATED VOLTAGE (Vdc)					80



PHYSICAL DIMENSIONS:

A	7.50 [.295]	+	MAX.
A ₁	9.00 [.354]	+	0.40 [.016]
B	5.50 [.217]	+	MAX.
C	3.80 [.150]	+	MAX.
C ₁	4.90 [.193]	+	MAX.
D	2.54 [.100]	+	0.10 [.004]
T ₁	1.75 [.069]	+	TYP.
T ₂	0.50 [.020]	+	0.10 [.004]
T ₃	0.30 [.012]	+	0.10 [.004]

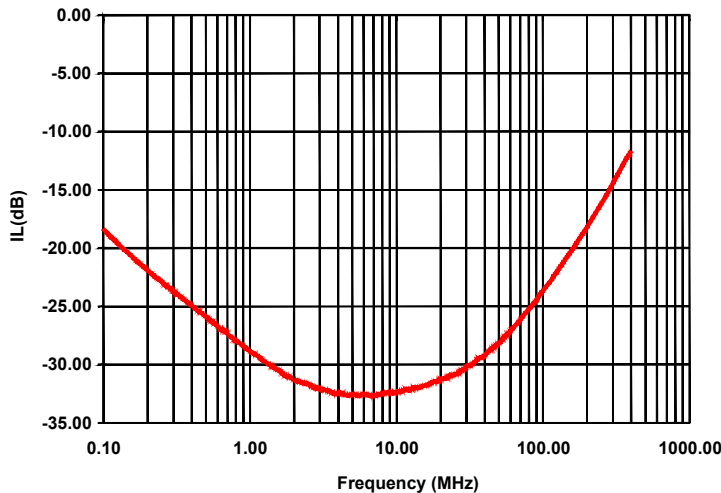
WEIGHT/1000 0.28 kgs [.62 Lbs]



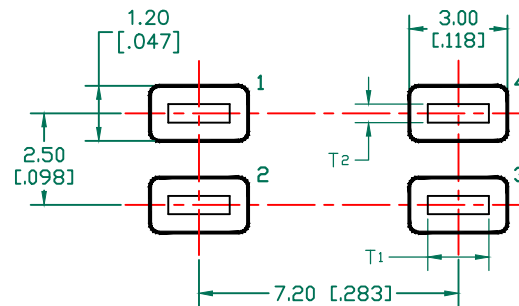
NOTES: UNLESS OTHERWISE SPECIFIED

1. TAPED AND REELED ON 13" REELS, 1500 PCS/REEL.
2. OPEN BOTTOM CONSTRUCTION.

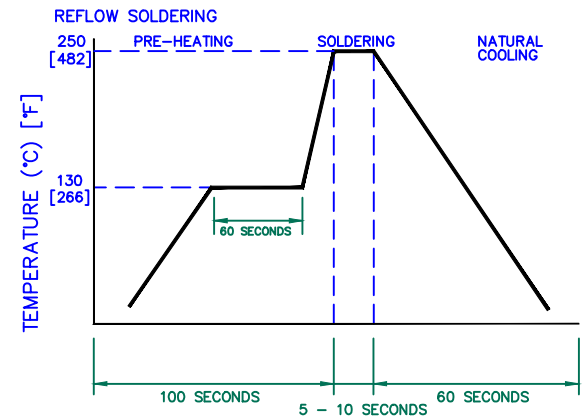
Typical Insertion Loss @ 50 ohm



LAND PATTERNS FOR REFLOW SOLDERING



RECOMMENDED SOLDERING CONDITIONS



DIMENSIONS ARE IN mm [INCHES].				This print is the property of Laird Tech. and is loaned in confidence subject to return upon request and with the understanding that no copies shall be made without the written consent of Laird Tech. All rights to design or invention are reserved.			
F	DELETE DATE CODE MARKING	08/02/16	QIU	CC2824E105R-10 PROJECT/PART NUMBER: REV F PART TYPE: ASSEMBLY DRAWN BY: JRK			
E	ADD RATING VOLTAGE	07/25/13	QIU				
D	CHANGE THE INDUCTANCE TEST VOLTAGE	03/11/10	JUN				
C	UPDATE COMPANY LOGO	05/08/07	JRK				
B	UPDATE COMPANY LOGO	05/08/07	JRK				
A	ORIGINAL DRAFT	06/07/05	JRK	DATE: 06/07/05	SCALE: NTS	SHEET: 1 of 1	
REV	DESCRIPTION	DATE	INT	CAD # CC2824E105R-10-F	TOOL # -		

