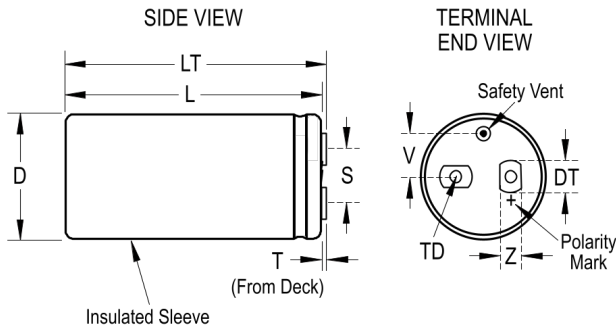


## ALS30A471KE500

Aliases (A331LH471M500A)

ALS30, Aluminum Electrolytic, 470 uF, 20%, 500 VDC, -40/+85°C



Click [here](#) for the 3D model.

### Dimensions

D	51mm +/-1mm
L	82mm +/-2mm
T	5.5mm +/-0.5mm
S	22.2mm +/-0.5mm
DT	13mm +/-0.5mm
LT	86.5mm +/-1mm
TD	10mm MIN
V	13.7mm NOM
Z	10mm NOM

### Packaging Specifications

Sleeving	Yes
Packaging	Bulk, Box

### General Information

Series	ALS30
Dielectric	Aluminum Electrolytic
Description	Screw Terminal, Aluminum Electrolytic
RoHS	Yes
AEC-Q200	No
Component Weight	220 g
Notes	Dimensions D And L Include Sleeving. MS (MxH) = M12x16. Mounting Clamp (Sold Separately): V4/2737
Shelf Life	156 Weeks

### Specifications

Capacitance	470 uF
Capacitance Tolerance	20%
Voltage DC	500 VDC, 550 VDC (Surge)
Temperature Range	-40/+85°C
Rated Temperature	85°C
Life	18000 Hrs (Rated Voltage And Ripple Current At 85C), 36000 Hrs (Rated Voltage At 85C)
Resistance	365 mOhms (100Hz 20C), 194 mOhms (10kHz 20C)
Ripple Current	4.4 Amps (100Hz 85C), 7.5 Amps (10kHz 85C)
Leakage Current	1410 uA (5min 20°C)