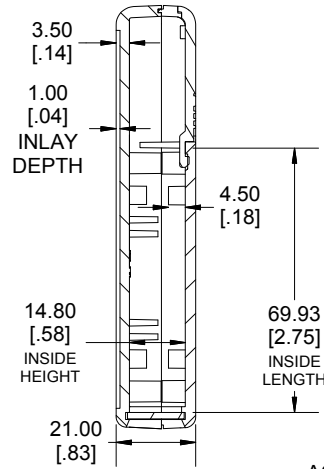
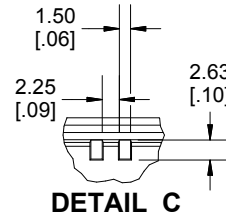


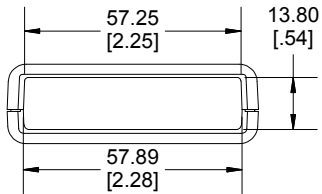
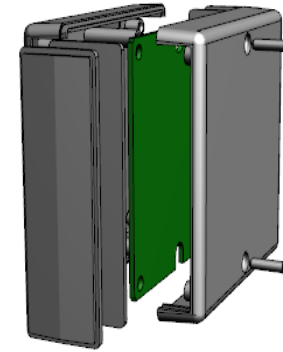
**TOP VIEW**



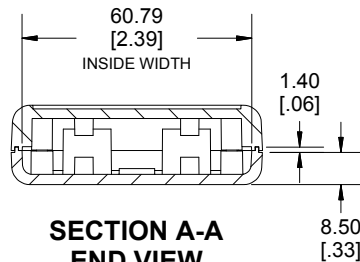
**SECTION B-B  
SIDE VIEW**



**DETAIL C**

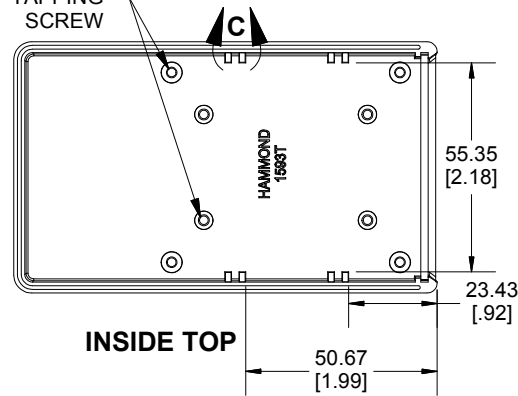


**END VIEW**



**SECTION A-A  
END VIEW**

ACCEPTS #4  
SELF-TAPPING  
SCREW



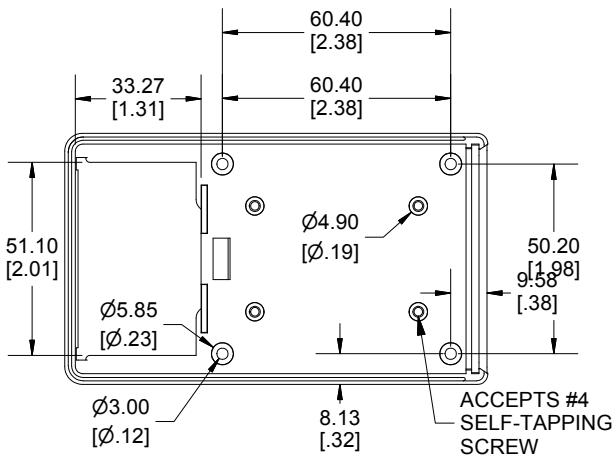
**INSIDE TOP**

Enclosures can be Factory Modified ( Milling, Drilling, Printing etc.)  
Contact Factory [mjm@hammondmfg.com](mailto:mjm@hammondmfg.com) for quotes  
Solid models of this enclosure available in STEP or IGES.  
(Part number and text placement/orientation on our products are subject to change,  
we do not recommend using them as a locating reference for modification purposes)

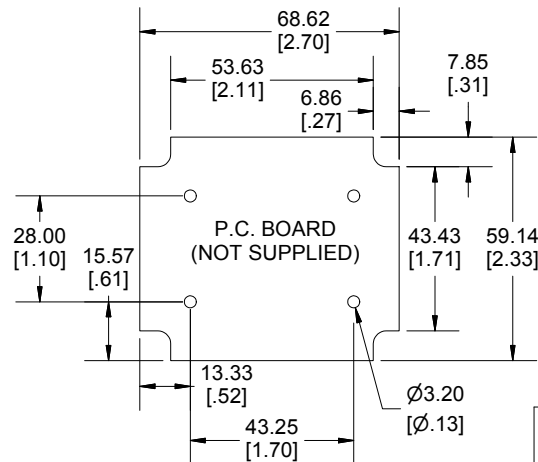
**NOTE**

Enclosure molded from GP ABS (UL94-HB) plastic.  
Purchased assembly includes top and bottom cover, 1 plastic flat panel for front,  
battery door and 4 cover screws.

**Recommended Cover Screw Torque - 57lbf-in ( 40cN-m)**



**INSIDE BOTTOM**



P.C. BOARD  
(NOT SUPPLIED)

Dimensions:  
mm  
[inches]

1593		
1593T Regular Enclosure		
Black Enclosure	1593TBK	
Grey Enclosure	1593TGY	
Translucent Blue Enclosure	1593TTBU	
ACCESSORIES		
Cover Screws #4 X 5/8" Self-Tapping (100 Pkg)	1593MS100 (Silver)	
	1593MS100BK (Black)	
P.C. Board Screws #4 X 1/4" Self-Tapping	1593ATS50 (Pkg 50)	
	1593ATS100 (Pkg 100)	
Nylon Belt Clip	1599CLIP (Black)	
	1599CLIPGY (Grey)	
1-AAA Battery Holder (Single)	BH1AAAW	
2-AAA Battery Holder (Single)	BH2AAAW	
1593T STD FLAT PANEL (SINGLE PANEL)	Black	1593SLBK-BULK
	Grey	1593SLGY-BULK
	Translucent Blue	1593SLTBU-BULK
	Infrared	1593SIR10

**HAMMOND  
MANUFACTURING**  
**1593T**  
[www.hammondmfg.com](http://www.hammondmfg.com)