

# Housing - HC-STA-D07-CHPWS-1TGM20-EL-AL - 1419242

Please be informed that the data shown in this PDF Document is generated from our Online Catalog. Please find the complete data in the user's documentation. Our General Terms of Use for Downloads are valid (<http://phoenixcontact.com/download>)



Feed-through header D7, with single locking latch, material: Die-cast aluminum, salt water resistant, cable outlets: 1, straight, height: 60.5 mm, cable gland: none, support sleeve: yes, 1x M20, Standard



## Key Commercial Data

Packing unit	1 pc
GTIN	
GTIN	4055626159881

## Technical data

### Dimensions

Height	60.5 mm
Width	26.5 mm
Length	26.5 mm
Length of the assembly cutout	26.5 mm
Width of the assembly cutout	26.5 mm

### Ambient conditions

Degree of protection (IP)	IP66
	IP67
Ambient temperature (operation)	-40 °C ... 125 °C

### General

Note	for contact inserts HC-A03, A04, D07, D08, Q02, Q03, Q04, Q05, Q07, Q12
Size	D7
Housing type	Feed-through header
Color	gray aluminum
Locking type	with single locking latch

## Housing - HC-STA-D07-CHPWS-1TGM20-EL-AL - 1419242

### Technical data

#### General

No. of cable outlets	1
Cable outlet	straight
Screw connection	none
Type of the screw connection	1x M20
Housing material	Die-cast aluminum, salt water resistant
Housing surface material	uncoated
Seal material	NBR, conductive
Material lock	PA

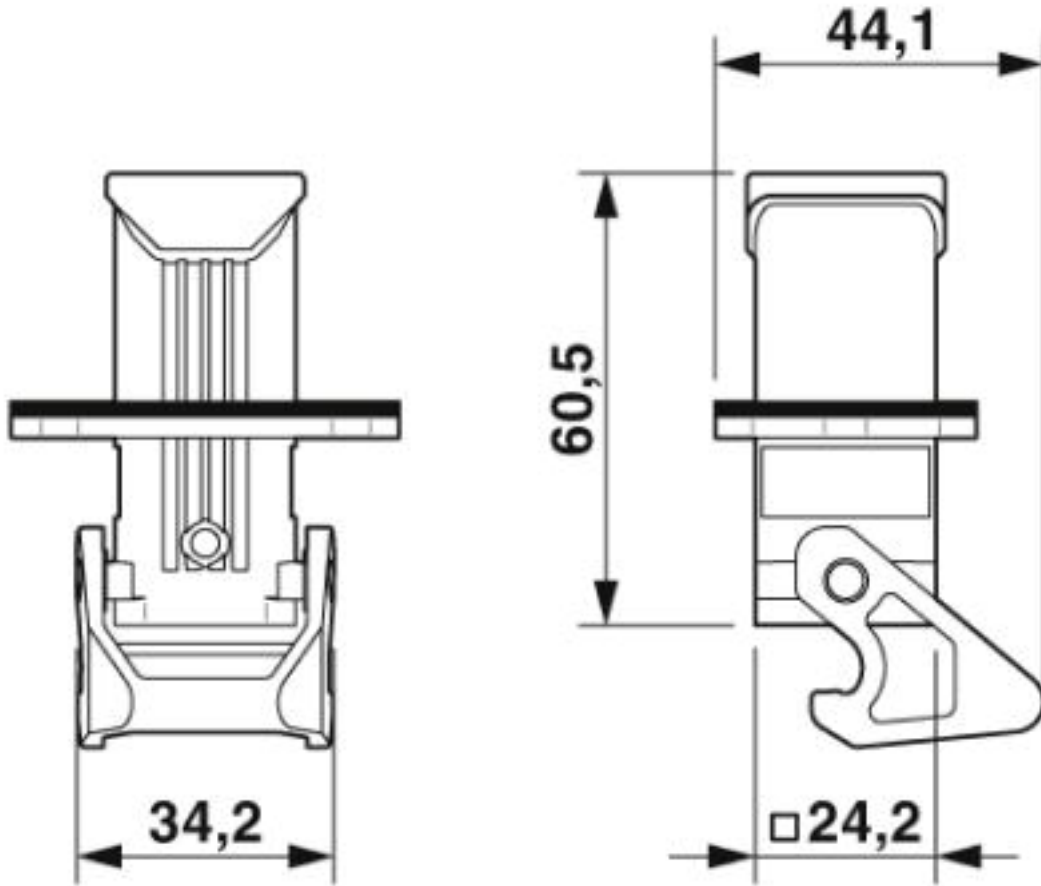
#### Environmental Product Compliance

China RoHS	Environmentally Friendly Use Period = 50
	For details about hazardous substances go to tab "Downloads", Category "Manufacturer's declaration"

### Drawings

# Housing - HC-STA-D07-CHPWS-1TGM20-EL-AL - 1419242

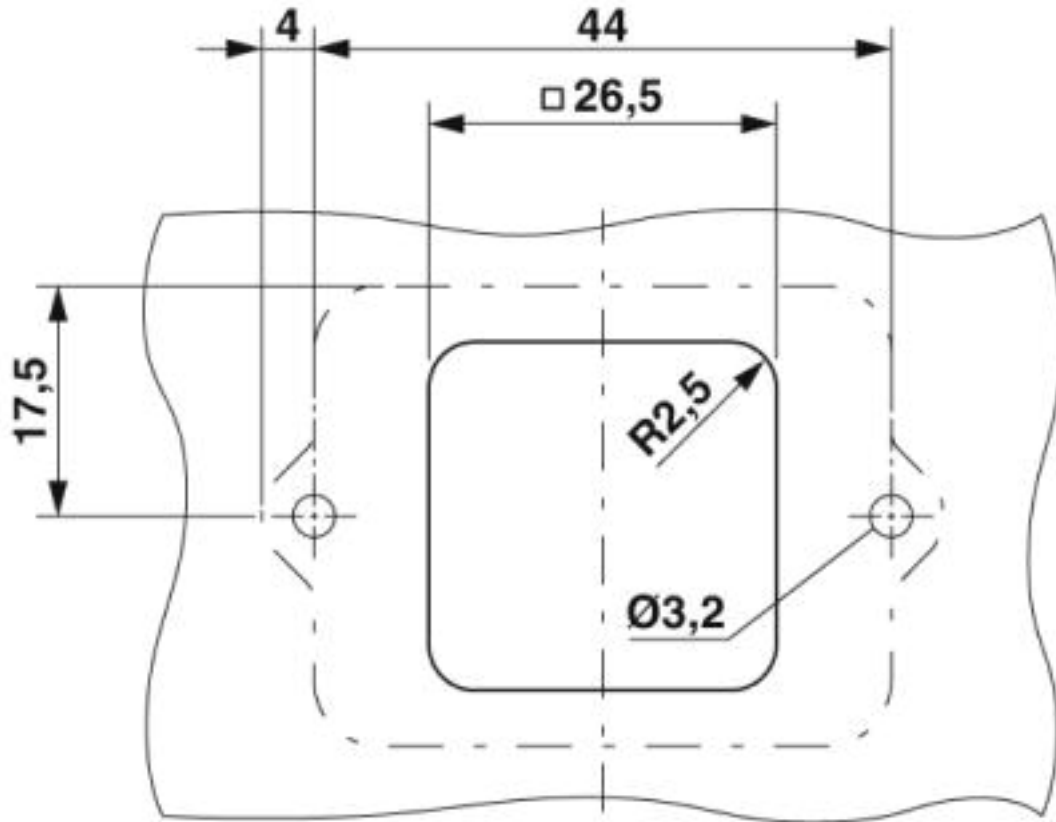
Dimensional drawing



Dimensional drawing

# Housing - HC-STA-D07-CHPWS-1TGM20-EL-AL - 1419242

Dimensional drawing



Mounting cutout

Approvals

Approvals

---

Approvals

EAC / UL Recognized / cUL Recognized / DNV GL / cULus Recognized

---

Ex Approvals

---

Approval details


EAC




RU C-  
DE.AI30.B.01102


# Housing - HC-STA-D07-CHPWS-1TGM20-EL-AL - 1419242

## Approvals

UL Recognized		<a href="http://database.ul.com/cgi-bin/XYV/template/LISEXT/1FRAME/index.htm">http://database.ul.com/cgi-bin/XYV/template/LISEXT/1FRAME/index.htm</a>	E255026
---------------	---	---	---------

cUL Recognized		<a href="http://database.ul.com/cgi-bin/XYV/template/LISEXT/1FRAME/index.htm">http://database.ul.com/cgi-bin/XYV/template/LISEXT/1FRAME/index.htm</a>	E255026
----------------	---	---	---------

DNV GL		<a href="https://approvalfinder.dnvgl.com/">https://approvalfinder.dnvgl.com/</a>	TAE000037S
--------	---	---	------------

cULus Recognized			
------------------	---	--	--

Phoenix Contact 2019 © - all rights reserved  
<http://www.phoenixcontact.com>

PHOENIX CONTACT GmbH & Co. KG  
Flachsmarktstr. 8  
32825 Blomberg  
Germany  
Tel. +49 5235 300  
Fax +49 5235 3 41200  
<http://www.phoenixcontact.com>