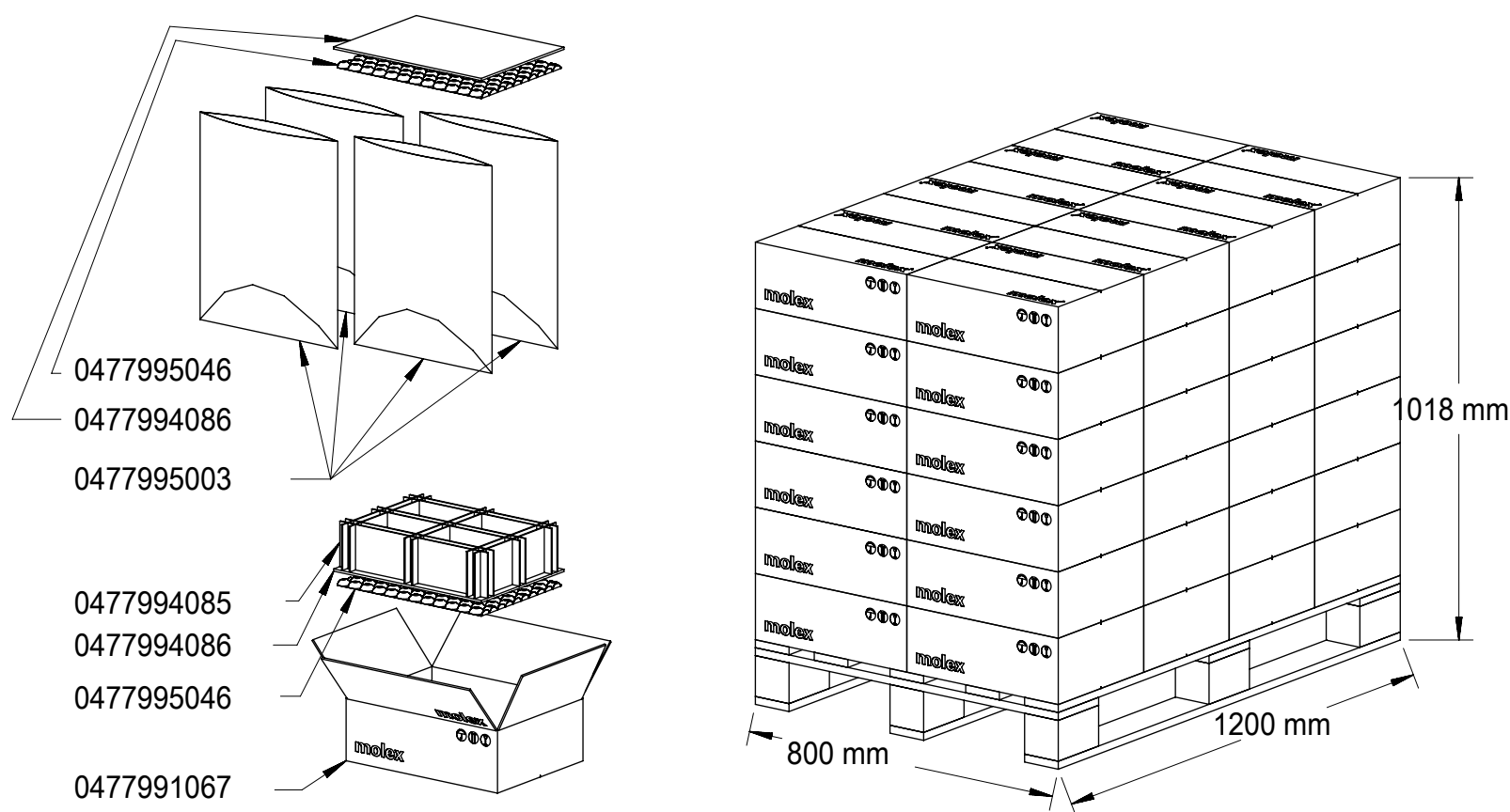
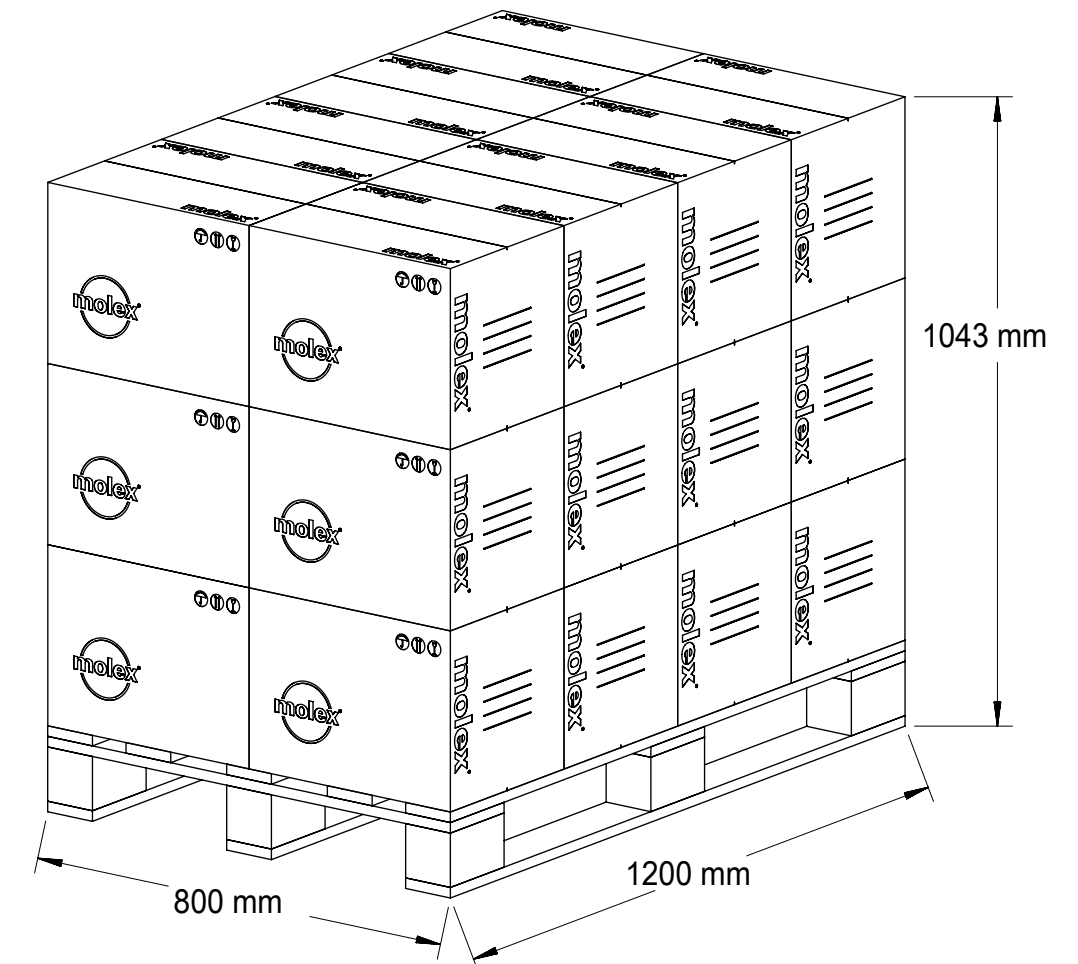
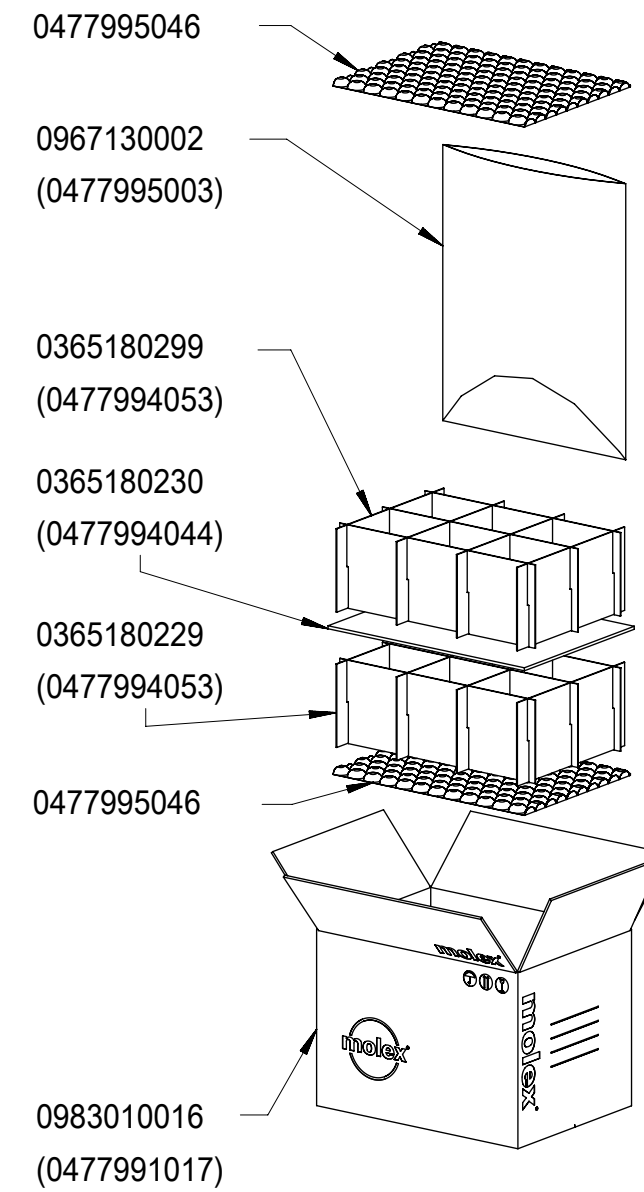


NOTES:

1. FOLD AND TAPE THE BOTTOM FLAPS OF THE CARTON.
2. INSERT THE PADS, BUBBLE AND PARTITIONS AS SHOWN.
3. FILL BAGS WITH CONNECTORS AND INSERT ONE BAG INTO EACH PARTITION CELL WITH ROUGHLY EQUAL NUMBERS PER BAG. (FOR 20582720** INSERT CONNECTORS INTO ONE BAG AND SEAL, THE QUANTITY PER BAG SHALL MATCH THE QTY/BAG IN THE TABLE. THEN PLACE ONE FILLED BAG INTO EACH CELL OF THE PARTITION.)
4. FOLD AND TAPE THE TOP FLAPS OF THE CARTON.
5. LABEL, THEN PALLETIZE AS SHOWN.
6. UNITIZE THE PALLET LOAD PER PK-47799-625 FOR SHIPPING.
7. INDIVIDUAL CARTONS MAY BE SHIPPED WITHOUT PALLETIZATION WHEN ORDERS ARE LOW IN VOLUME.
8. FOR PART 0335361605, ONLY SHIP PRODUCT ON PALLETS IN FULL LAYER QUANTITIES. THE MINIMUM SHIPMENT CONTAINING 1 LAYER OF CARTONS FOR A TOTAL OF 24,000 PARTS, WITH A MAXIMUM OF 3 LAYERS OF CARTONS, WITH A TOTAL PART QTY OF 72,000 PARTS.



FUNCTIONAL SYMBOLS	THIS DRAWING CONTAINS INFORMATION THAT IS PROPRIETARY TO MOLEX ELECTRONIC TECHNOLOGIES, LLC AND SHOULD NOT BE USED WITHOUT WRITTEN PERMISSION		
	DIMENSION UNITS	SCALE	CURRENT REV DESC: OBSOLETE PART NUMBER
$\frac{F}{A} = 0$	mm	1:1	EC NO: 648356 DRWN: AKUMAR19 2020/11/03 CHK'D: GGA 2021/01/08 APPR: GGA 2021/01/08
$\frac{E}{C} = 0$	GENERAL TOLERANCES (UNLESS SPECIFIED)		
$\frac{E}{P} = 0$	ANGULAR TOL $\pm 1.0^\circ$		INITIAL REVISION: DRWN: PPHELPS 2010/06/02 APPR: JNORTHRO 2011/11/17
DIVISIONAL SYMBOLS	4 PLACES \pm	3 PLACES \pm	
	2 PLACES ± 0.13	1 PLACE ± 0.25	DOCUMENT NUMBER
	0 PLACES \pm		PK-31301-538
	DRAFT WHERE APPLICABLE MUST REMAIN WITHIN DIMENSIONS	THIRD ANGLE PROJECTION	DOC TYPE DOC PART REVISION
		DRAWING C-SIZE	PDD 001 F
		SERIES 31300	MATERIAL NUMBER
			SEE TABLE
			CUSTOMER
			GENERAL MARKET
			SHEET NUMBER
			1 OF 3

DOCUMENT STATUS	P1	RELEASE DATE	2021/01/08 14:14:54
-----------------	----	--------------	---------------------

TABLE												
PRODUCT MAT'L #	PRODUCT DESCRIPTION	SPQ	CARTON MAT'L #	BAG MAT'L #	BAGS/ CARTON	PARTITION MAT'L #	PARTITIONS /CARTON	BUBBLE MAT'L #	BUBBLE/ CARTON	PAD MAT'L #	PADS/ CARTON	GROSS WEIGHT
0335361605	MX150 SEALED, 16 WAY HYBRID RCPT, 2 ROW GROMMET CAP *SEE NOTE 7*	3000	0477991017	967130037	12	0477994053	2	0477995046	2	0477994044	1	TBD
034791002*	1X2 WAY, RECEPTACLE W/O CPA TRAY	6000	0477991017	0477995003	12	0477994053	2	0477995046	2	0477994044	1	TBD
034791012*	1X2 WAY, RECEPTACLE WITH CPA TRAY											
034791004*	1X4 WAY, RECEPTACLE W/O BRIDGE	5400	0477991017	0477995003	12	0477994053	2	0477995046	2	0477994044	1	TBD
034791008*	1X8 WAY, RECEPTACLE W/O BRIDGE	3000	0477991017	0477995003	12	0477994053	2	0477995046	2	0477994044	1	TBD
034791014*	1X4 WAY, RECEPTACLE WITH BRIDGE	5400	0477991017	0477995003	12	0477994053	2	0477995046	2	0477994044	1	TBD
034791018*	1X8 WAY, RECEPTACLE WITH BRIDGE	3000	0477991017	0477995003	12	0477994053	2	0477995046	2	0477994044	1	TBD
0347915140,1,2,3	1X4 WAY, RECEPTACLE WITH BRIDGE & CPA	5400	0477991017	0477995003	12	0477994053	2	0477995046	2	0477994044	1	TBD
0347915180,1,2	1X8 WAY, RECEPTACLE WITH BRIDGE & CPA	1800	0477991017	0477995003	12	0477994053	2	0477995046	2	0477994044	1	TBD
0348240120	12 WAY, 2 ROW, RECEPTACLE W/O BRIDGE, LOW PROFILE	520	0477991067	0477995003	4	0477994085	1	0477995046	2	0477994086	2	TBD
0348240124, 5, 6	12 WAY, 2 ROW, RECEPTACLE W/O BRIDGE	520	0477991067	0477995003	4	0477994085	1	0477995046	2	0477994086	2	TBD
034824016*	16 WAY, 2 ROW, RECEPTACLE W/O BRIDGE	400	0477991067	0477995003	4	0477994085	1	0477995046	2	0477994086	2	TBD
034824020*	20 WAY, 2 ROW, RECEPTACLE W/O BRIDGE	320	0477991067	0477995003	4	0477994085	1	0477995046	2	0477994086	2	TBD
034824024*	24 WAY, 2 ROW, RECEPTACLE W/O BRIDGE	280	0477991067	0477995003	4	0477994085	1	0477995046	2	0477994086	2	TBD
0348241120, 1, 2	12 WAY, 2 ROW, RECEPTACLE WITH BRIDGE, LOW PROFILE	520	0477991067	0477995003	4	0477994085	1	0477995046	2	0477994086	2	TBD
0348241124, 5, 6	12 WAY, 2 ROW, RECEPTACLE WITH BRIDGE	520	0477991067	0477995003	4	0477994085	1	0477995046	2	0477994086	2	TBD
034824116*	16 WAY, 2 ROW, RECEPTACLE WITH BRIDGE	400	0477991067	0477995003	4	0477994085	1	0477995046	2	0477994086	2	TBD
034824120*	20 WAY, 2 ROW, RECEPTACLE WITH BRIDGE	320	0477991067	0477995003	4	0477994085	1	0477995046	2	0477994086	2	TBD
034824124*	24 WAY, 2 ROW, RECEPTACLE WITH BRIDGE	280	0477991067	0477995003	4	0477994085	1	0477995046	2	0477994086	2	TBD
0348245124,5,6	12 WAY, 2 ROW, RECEPTACLE WITH BRIDGE & CPA	520	0477991067	0477995003	4	0477994085	1	0477995046	2	0477994086	2	TBD
034824216*	16 WAY, 2 ROW, RECEPTACLE WITH BRIDGE & CPA	400	0477991067	0477995003	4	0477994085	1	0477995046	2	0477994086	2	TBD
034824220*	20 WAY, 2 ROW, RECEPTACLE WITH BRIDGE & CPA	320	0477991067	0477995003	4	0477994085	1	0477995046	2	0477994086	2	TBD
034824224*	24 WAY, 2 ROW, RECEPTACLE WITH BRIDGE & CPA	280	0477991067	0477995814	4	0477994085	1	0477995046	2	0477994086	2	TBD
0349590340-5	34 WAY, 3 ROW RECEPTACLE	280	0477991067	0477995003	4	0477994085	1	0477995046	2	0477994086	2	TBD
0349590347-9												
0349590383,4,5	38 WAY, 3 ROW RECEPTACLE	280	0477991067	0477995003	4	0477994085	1	0477995046	2	0477994086	2	3 KG
-												
034959039*												
2005760081, 2, 3	MINI50 AK 8CKT RECEPTACLE W/O CPA	700	0477991067	0477995003	4	0477994085	1	0477995046	2	0477994086	2	1.9 KG
2005760084, 5, 6	MINI50 AK 8CKT RECEPTACLE WITH CPA	700	0477991067	0477995003	4	0477994085	1	0477995046	2	0477994086	2	1.9 KG
206523012*	MINI50 GEN II 12CKT RCPT W/O CPA	720	0477991067	0477995003	4	0477994085	1	0477995046	2	0477994086	2	TBD
206523212*	MINI50 GEN II 12CKT RCPT W/ CPA	720	0477991067	0477995814	4	0477994085	1	0477995046	2	0477994086	2	TBD
206523024*	MINI50 GEN II 24CKT RCPT W/O CPA	1920	0477991017	0477995003	12	0477994053	2	0477995046	2	0477994044	1	TBD
206523224*	MINI50 GEN II 24CKT RCPT W/ CPA	1920	0477991017	0477995814	12	0477994053	2	0477995046	2	0477994044	1	TBD
2133560340--5	MINI50 V0 CONN RCPT 34CKT	280	0477991067	0477995003	4	0477994085	1	0477995046	2	0477994086	2	TBD
2133560380--5	MINI50 V0 CONN RCPT 38CKT	280	0477991067	0477995003	4	0477994085	1	0477995046	2	0477994086	2	TBD

FUNCTIONAL SYMBOLS	THIS DRAWING CONTAINS INFORMATION THAT IS PROPRIETARY TO MOLEX ELECTRONIC TECHNOLOGIES, LLC AND SHOULD NOT BE USED WITHOUT WRITTEN PERMISSION		
	DIMENSION UNITS	SCALE	CURRENT REV DESC: OBSOLETE PART NUMBER
$\nabla_A = 0$	mm	1:1	EC NO: 648356 DRWN: AKUMAR19 2020/11/03 CHK'D: GGA 2021/01/08 APPR: GGA 2021/01/08
$\nabla_C = 0$	GENERAL TOLERANCES (UNLESS SPECIFIED)		
$\nabla_P = 0$	ANGULAR TOL $\pm 1.0^\circ$		INITIAL REVISION: DRWN: PPHELPS 2010/06/02 APPR: JNORTHRO 2011/11/17
DIVISIONAL SYMBOLS	4 PLACES \pm		
	3 PLACES \pm		DOCUMENT NUMBER PK-31301-538
	2 PLACES ± 0.13		
	1 PLACE ± 0.25		DOC TYPE PDD
	0 PLACES \pm		DOC PART 001
			REVISION F
	DRAFT WHERE APPLICABLE MUST REMAIN WITHIN DIMENSIONS	THIRD ANGLE PROJECTION	DRAWING C-SIZE
			SERIES 31300
			MATERIAL NUMBER SEE TABLE
			CUSTOMER GENERAL MARKET
			SHEET NUMBER 2 OF 3

10	9	8	7	6	5	4	3	2	1				
PRODUCT MAT'L #	PRODUCT DESCRIPTION	SPQ	CARTON MAT'L #	BAG MAT'L #	BAGS/CARTON	PARTITION MAT'L #	PARTITIONS/CARTON	BUBBLE MAT'L #	BUBBLE/CARTON	PAD MAT'L #	PADS/CARTON	GROSS WEIGHT	
F	206523016*	MINI50 GEN II 16CKT RCPT W/O CPA	500	0477991067	0477995003	4	0477994085	1	0477995046	2	0477994086	2	TBD
F	206523216*	MINI50 GEN II 16CKT RCPT W/ CPA	500	0477991067	0477995814	4	0477994085	1	0477995046	2	0477994086	2	TBD
F	206523020*	MINI50 GEN II 20CKT RCPT W/O CPA	400	0477991067	0477995003	4	0477994085	1	0477995046	2	0477994086	2	TBD
F	206523220*	MINI50 GEN II 20CKT RCPT W/ CPA	400	0477991067	0477995814	4	0477994085	1	0477995046	2	0477994086	2	TBD
F	2075840121	MINI50 GEN II 12CKT RECPT KEY A W/O CPA	720	0477991067	0477995003	4	0477994085	1	0477995046	2	0477994086	2	TBD
F	2075840122	MINI50 GEN II 12CKT RECPT KEY B W/O CPA	720	0477991067	0477995003	4	0477994085	1	0477995046	2	0477994086	2	TBD
F	2075840123	MINI50 GEN II 12CKT RECPT KEY C W/O CPA	720	0477991067	0477995003	4	0477994085	1	0477995046	2	0477994086	2	TBD
F	2075842121	MINI50 GEN II 12CKT RECPT KEY A W/CPA	720	0477991067	0477995814	4	0477994085	1	0477995046	2	0477994086	2	TBD
F	2075842122	MINI50 GEN II 12CKT RECPT KEY B W/CPA	720	0477991067	0477995814	4	0477994085	1	0477995046	2	0477994086	2	TBD
F	2075842123	MINI50 GEN II 12CKT RECPT KEY C W/CPA	720	0477991067	0477995814	4	0477994085	1	0477995046	2	0477994086	2	TBD
E	2075840161	MINI50 GEN II 16CKT RECPT KEY A W/O CPA	500	0477991067	0477995003	4	0477994085	1	0477995046	2	0477994086	2	TBD
E	2075840162	MINI50 GEN II 16CKT RECPT KEY B W/O CPA	500	0477991067	0477995003	4	0477994085	1	0477995046	2	0477994086	2	TBD
E	2075840163	MINI50 GEN II 16CKT RECPT KEY C W/O CPA	500	0477991067	0477995003	4	0477994085	1	0477995046	2	0477994086	2	TBD
E	2075842161	MINI50 GEN II 16CKT RECPT KEY A W/CPA	500	0477991067	0477995814	4	0477994085	1	0477995046	2	0477994086	2	TBD
E	2075842162	MINI50 GEN II 16CKT RECPT KEY B W/CPA	500	0477991067	0477995814	4	0477994085	1	0477995046	2	0477994086	2	TBD
E	2075842163	MINI50 GEN II 16CKT RECPT KEY C W/CPA	500	0477991067	0477995814	4	0477994085	1	0477995046	2	0477994086	2	TBD
D	2058272021	CONNTAK50 - 02CKT RCPT HSG TANG - POL A	2800	0477991067	0477995003	4	0477994085	1	0477995046	2	0477994086	2	TBD
D	2058272022	CONNTAK50 - 02CKT RCPT HSG TANG - POL B	2800	0477991067	0477995003	4	0477994085	1	0477995046	2	0477994086	2	TBD
D	2058272023	CONNTAK50 - 02CKT RCPT HSG TANG - POL C	2800	0477991067	0477995003	4	0477994085	1	0477995046	2	0477994086	2	TBD
D	2058272024	CONNTAK50 - 02CKT RCPT HSG TANG - POL D	2800	0477991067	0477995003	4	0477994085	1	0477995046	2	0477994086	2	TBD
D	2058272031	CONNTAK50 - 03CKT RCPT HSG TANG - POL A	2400	0477991067	0477995003	4	0477994085	1	0477995046	2	0477994086	2	TBD
D	2058272032	CONNTAK50 - 03CKT RCPT HSG TANG - POL B	2400	0477991067	0477995003	4	0477994085	1	0477995046	2	0477994086	2	TBD
D	2058272033	CONNTAK50 - 03CKT RCPT HSG TANG - POL C	2400	0477991067	0477995003	4	0477994085	1	0477995046	2	0477994086	2	TBD
D	2058272034	CONNTAK50 - 03CKT RCPT HSG TANG - POL D	2400	0477991067	0477995003	4	0477994085	1	0477995046	2	0477994086	2	TBD
D	2058272041	CONNTAK50 - 04CKT RCPT HSG TANG - POL A	2000	0477991067	0477995003	4	0477994085	1	0477995046	2	0477994086	2	TBD
D	2058272042	CONNTAK50 - 04CKT RCPT HSG TANG - POL B	2000	0477991067	0477995003	4	0477994085	1	0477995046	2	0477994086	2	TBD
D	2058272043	CONNTAK50 - 04CKT RCPT HSG TANG - POL C	2000	0477991067	0477995003	4	0477994085	1	0477995046	2	0477994086	2	TBD
D	2058272044	CONNTAK50 - 04CKT RCPT HSG TANG - POL D	2000	0477991067	0477995003	4	0477994085	1	0477995046	2	0477994086	2	TBD
D	2058272051	CONNTAK50 - 05CKT RCPT HSG TANG - POL A	1600	0477991067	0477995003	4	0477994085	1	0477995046	2	0477994086	2	TBD
D	2058272052	CONNTAK50 - 05CKT RCPT HSG TANG - POL B	1600	0477991067	0477995003	4	0477994085	1	0477995046	2	0477994086	2	TBD
D	2058272053	CONNTAK50 - 05CKT RCPT HSG TANG - POL C	1600	0477991067	0477995003	4	0477994085	1	0477995046	2	0477994086	2	TBD
C	2058272054	CONNTAK50 - 05CKT RCPT HSG TANG - POL D	1600	0477991067	0477995003	4	0477994085	1	0477995046	2	0477994086	2	TBD
C	2058272061	CONNTAK50 - 06CKT RCPT HSG TANG - POL A	1400	0477991067	0477995003	4	0477994085	1	0477995046	2	0477994086	2	TBD
C	2058272062	CONNTAK50 - 06CKT RCPT HSG TANG - POL B	1400	0477991067	0477995003	4	0477994085	1	0477995046	2	0477994086	2	TBD
C	2058272063	CONNTAK50 - 06CKT RCPT HSG TANG - POL C	1400	0477991067	0477995003	4	0477994085	1	0477995046	2	0477994086	2	TBD
C	2058272064	CONNTAK50 - 06CKT RCPT HSG TANG - POL D	1400	0477991067	0477995003	4	0477994085	1	0477995046	2	0477994086	2	TBD
B	349591340-5	34 WAY, 3 ROW RECEPTACLE	280	0477991067	0477995003	4	0477994085	1	0477995046	2	0477994086	2	TBD
B	348591380-5	MINI50 CONN RCPT 38CKT WITH CPA	280	0477991067	0477995003	4	0477994085	1	0477995046	2	0477994086	2	TBD

B

F	OBSOLETE PART NUMBERS 349590380 349590381 349590382 349590387 349590388	20201103
E2	UPDATE THE SPQ OF 2075840121/2/3,2075842121/2/3,2075840161/2/3,2075842161/2/3, 2058272021/2/3,2058272051/2/3,2058272061/2/3	20190626
E3	UPDATE THE SPQ OF 2058272031/2/3,2058272041/2/3	20190712
E4	ADD NEW PN 2133560340--5, 2133560380--5	20200727
E5	UPDATE THE NOTE ABOUT AND SEAL BAG FOR 20582720**	20200915
E5	1. ADD NEW PN 349591340-5, 348591380-5; 2. THE BAG OF FOLLOWING PRODUCTS ARE CHANGE TO 477995814: 34824224*,206523212*,206523224*,206523216*,206523220*,207584212*,207584216*	20200915
DOCUMENT STATUS		P1
RELEASE DATE		2021/01/08 14:14:54

FUNCTIONAL SYMBOLS	THIS DRAWING CONTAINS INFORMATION THAT IS PROPRIETARY TO MOLEX ELECTRONIC TECHNOLOGIES, LLC AND SHOULD NOT BE USED WITHOUT WRITTEN PERMISSION	
\sqrt{A} = 0 \sqrt{E} = 0 \sqrt{F} = 0	DIMENSION UNITS: mm SCALE: 1:1	CURRENT REV DESC: OBSOLETE PART NUMBER
DIVISIONAL SYMBOLS	GENERAL TOLERANCES (UNLESS SPECIFIED) ANGULAR TOL ± 1.0° 4 PLACES ± 3 PLACES ± 2 PLACES ± 0.13 1 PLACE ± 0.25 0 PLACES ±	EC NO: 648356 DRWN: AKUMAR19 CHK'D: GGA APPR: GGA 2020/11/03 2021/01/08 2021/01/08
DRAFT WHERE APPLICABLE MUST REMAIN WITHIN DIMENSIONS		THIRD ANGLE PROJECTION
DRAWING: A3-SIZE SERIES: 31300		INITIAL REVISION: DRWN: PPHelps APPR: JNORTHRO 2010/06/02 2011/11/17
MATERIAL NUMBER: PK-31301-538 CUSTOMER: GENERAL MARKET		DOC TYPE: PDD DOC PART: 001 REVISION: F
SHEET NUMBER: 3 OF 3		