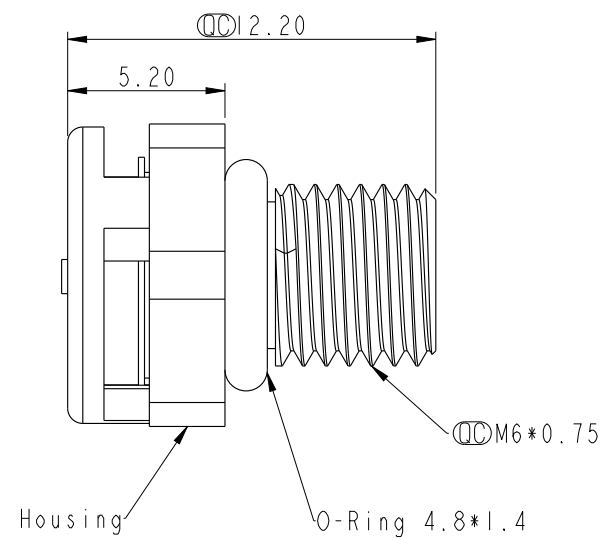
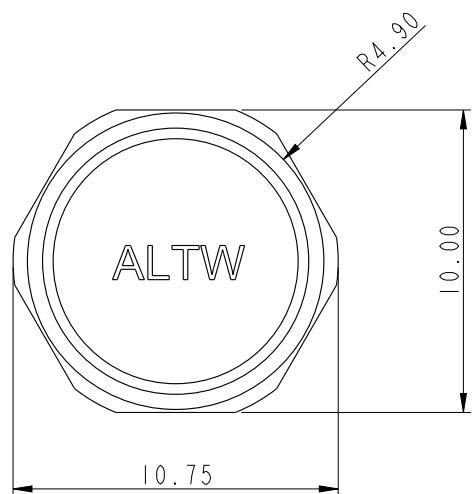


THIS DOCUMENT IS SUBJECT TO CHANGE WITHOUT NOTICE. IT IS CONFIDENTIAL AND A PROPERTY OF Amphenol LTW. DISCLOSURE TO THIRD PARTY HAS TO BE AUTHORIZED BY Amphenol LTW.

REV.	DESCRIPTION
A	New Item
B	Update Drawing

ALTW
CONFIDENTIAL
 2018-11-16
R&D DEPT.



Without Nut

成品料號 (Product no.)	透氣量 ml/min@70mbar	主體顏色 (Body Colour)	O-Ring Color	疏油性 (Oleophobic)	Waterproof Rate
VENT-PS2NBK-08001	>300	Black	Red	Y	IP68/IP66
VENT-PS2NGY-08001	>300	Gray	Red	Y	IP68/IP66

UNIT : mm			TITLE M6*0.75 VENT		
TOLERANCE	±0.25		SCALE	SIZE	SHEET
.X	±0.1		4:1	A4	1 OF 2
.XX	±0.05		REV.	WC-REV.	
.XXX	±1*		B	A.5	
ANGLES					

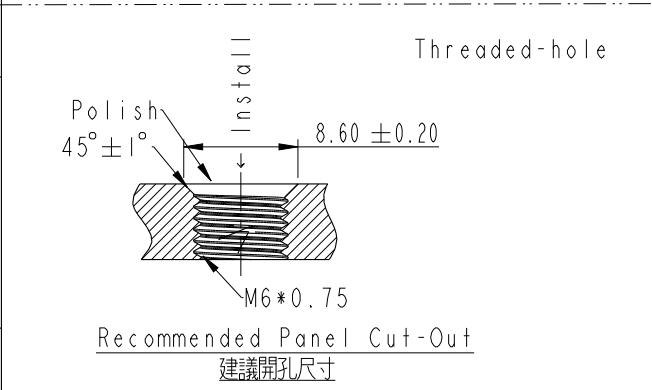
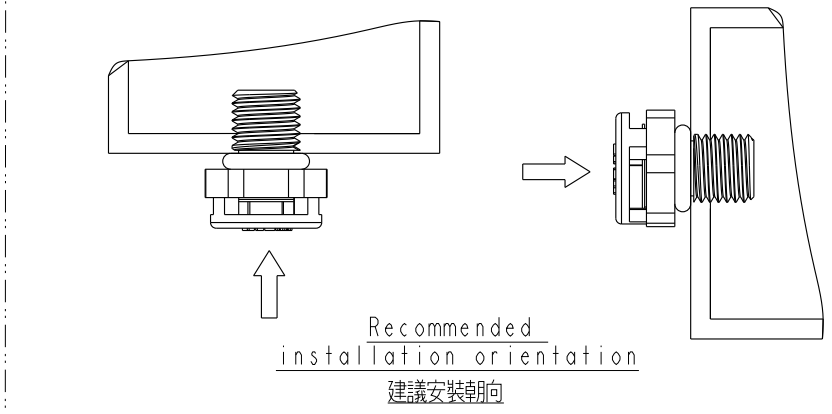
Amphenol LTW
安費諾亮泰企業股份有限公司

ITEM NO	VENT-PS2XXX-XXXXX	DRAWN BY	Xiaofeng	DATE	2018/11/16
DWG NO	VENT-PS2XXX-XXXXX	CHECKED BY	Mafei	DATE	2018/11/16
CUSTOMER	ALTW	APPROVED BY	Jerry	DATE	2018/11/16

THIS DOCUMENT IS SUBJECT TO CHANGE WITHOUT NOTICE. IT IS CONFIDENTIAL AND A PROPERTY OF Amphenol LTW. DISCLOSURE TO THIRD PARTY HAS TO BE AUTHORIZED BY Amphenol LTW.

REV.	DESCRIPTION
A	New Item
B	Update Drawing

ALTW
CONFIDENTIAL
 2018-11-16
R&D DEPT.



- Note:
- * \varnothing Important Dimension.
 - * Membrane: ePTFE
 - * Body: Thermoplastic, 94V-0, UV Resistance
 - * O-Ring: Silicone, 94V-0
 - * Recommended Torque: 2.0~4.0 Kgf.cm

UNIT: mm

TOLERANCE

TITLE M6*0.75 VENT			
SCALE 4:1	SIZE A4	SHEET 2 OF 2	
REV. B	WC-REV. A.5	\varnothing Inspection item	

Amphenol LTW
安費諾亮泰企業股份有限公司

ITEM NO VENT-PS2XXX-XXXXX	DRAWN BY Xiaofeng	DATE 2018/11/16
DWG NO VENT-PS2XXX-XXXXX	CHECKED BY Mafei	DATE 2018/11/16
CUSTOMER LATW	APPROVED BY Jerry	DATE 2018/11/16