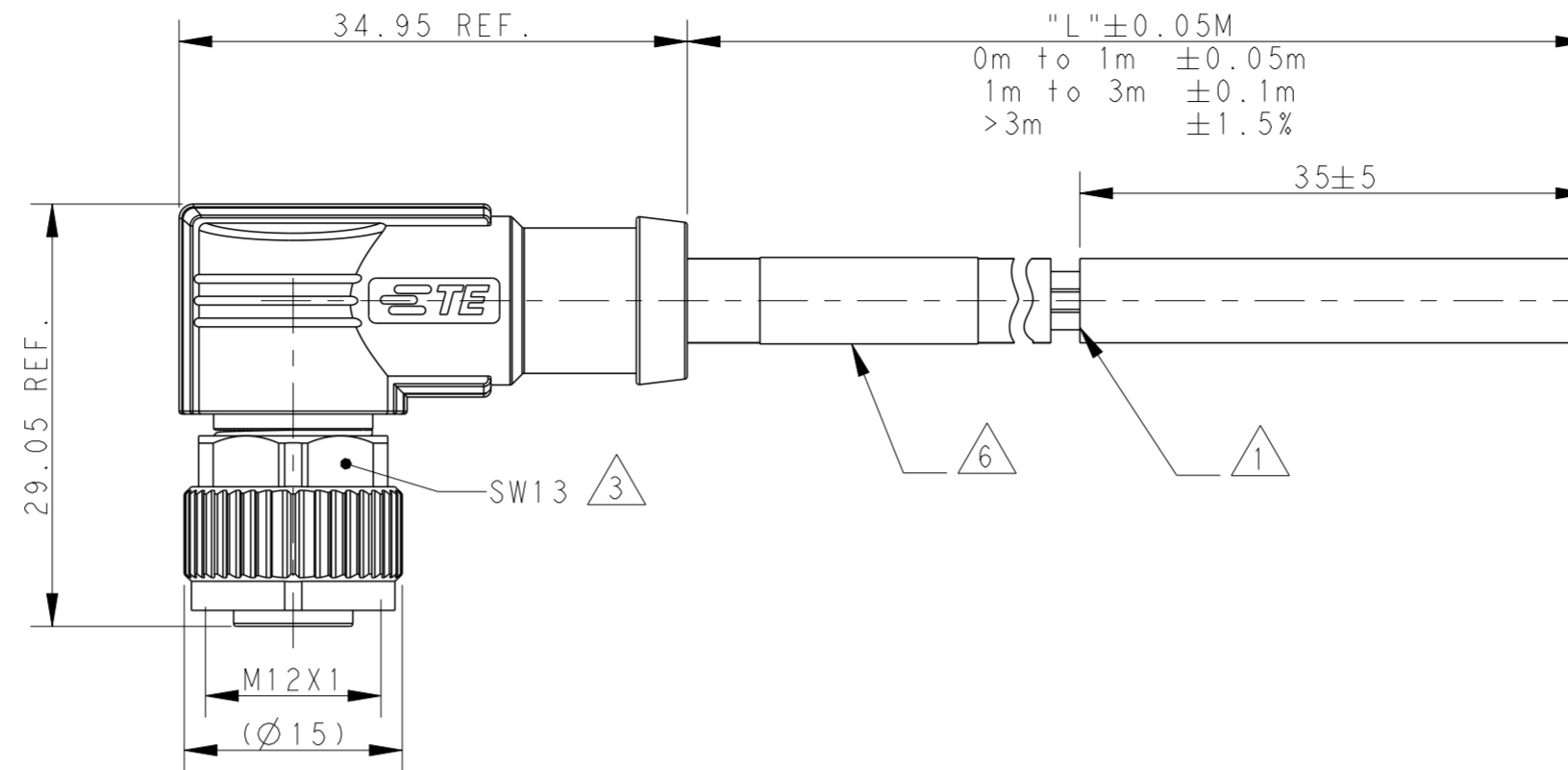
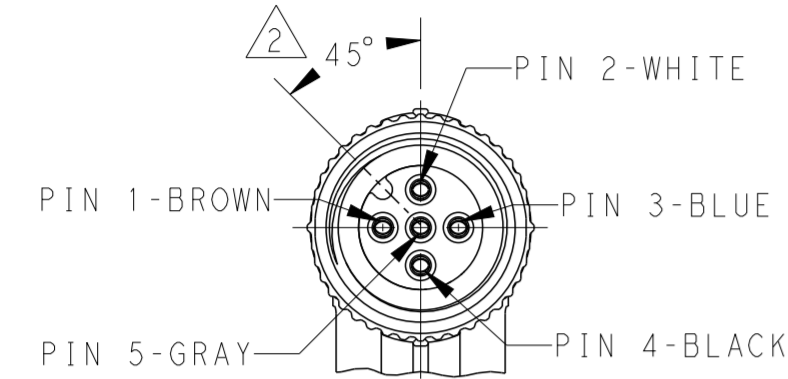


THIS DRAWING IS UNPUBLISHED. RELEASED FOR PUBLICATION 20
 © COPYRIGHT 20 BY - ALL RIGHTS RESERVED.

ITEM	DESCRIPTION	MATERIAL	OTHERS
1	FEMALE CONTACT	BRONZE	GOLD PLATED
2	HOUSING	NYLON	BLACK
3	COUPLING NUT	ZAMACK	NICKEL PLATED
4	OVER-MOLDING	POLYURETHANE	BLUE
5	CABLE	-	-
6	LABEL	-	-

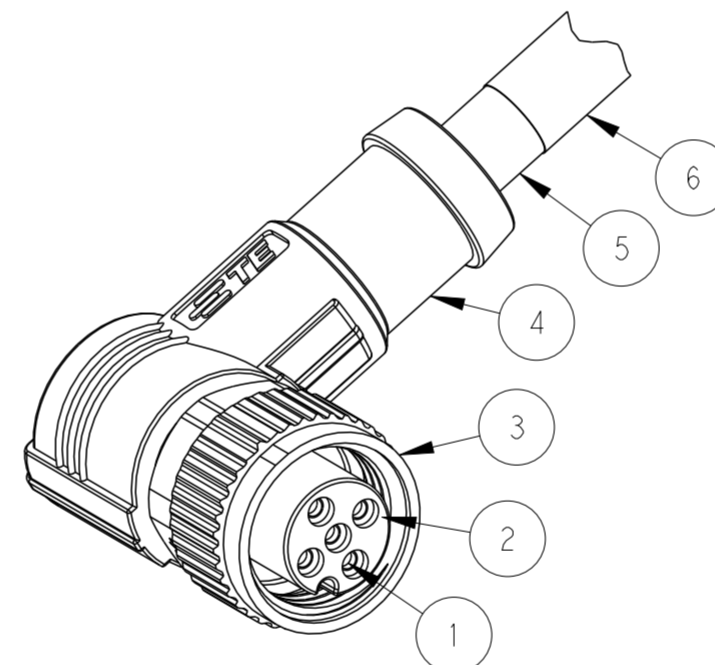


REVISIONS					
P	LTR	DESCRIPTION	DATE	DWN	APVD
A		INITIAL RELEASE	13APR2016	HW	XX
B		ECR-22-134837	10FEB2023	BP	CW

NOTE:
 1. STRIP AND RETAIN THE INSULATION
 2. CODE POSITION
 3. RECOMMENDED TORQUE 0.6 Nm
 4. -** : CABLE LENGTH
 -0.5:0.5M,
 -1.0:1.0M,
 -1.5:1.5M,
 -3.0:3.0M,
 -5.0:5.0M,
 -7.0:7.0M,
 -10.0:10.0M,
 5. CABLE ASSEMBLY TO BE PACKAGED IN POLYBAGS
 6. LABEL CONTAINS: PN, DATE CODE...

注释:
 1. 剥线并保留护套绝缘层
 2. CODE位置
 3. 推荐扭矩0.6 Nm
 4. -** : 线缆长度
 -0.5:0.5M,
 -1.0:1.0M,
 -1.5:1.5M,
 -3.0:3.0M,
 -5.0:5.0M,
 -7.0:7.0M,
 -10.0:10.0M,
 5. 线缆组件塑料袋包装
 6. 标签包含: 产品编号, 日期代码...

TECHNICAL DATA	T41614X0002-00X	T41614X0003-00X	T41614X0004-00X	T41614X0005-00X
RATED VOLTAGE		250V		60V
RATED IMPULSE VOLTAGE		2500V		1500V
RATED CURRENT		4A		
POLLUTION DEGREE		3		
OVERVOLTAGE CATEGORY		II		
MATERIAL GROUP		II		
DEGREE OF PROTECTION		IP67		



PIN ARRANGEMENT A-CODE		
T41614X0002-00X	T41614X0003-00X	T41614X0004-00X
PIN1, PIN3	PIN1, PIN3, PIN4	PIN1, PIN2, PIN4, PIN3
T41614X0005-00X		
PIN1, PIN2, PIN5, PIN4, PIN3		

CABLE CHARACTERISTIC	LENGTH "L"	TEMPERATURE RANGE	JACKET COLOR	JACKET MATERIAL	TYPE	POS.	TE PN
WIRES: 0.34mm ² (22AWG) WIRE COLOR: WH/BR/BK/BL/GR OD: APPROX.4.5MM FOR 2P/3P APPROX.5.0MM FOR 4P/5P	-001:0.5M -002:1.0M -003:1.5M -004:3.0M -005:5.0M -006:7.0M -007:10.0M	FIXED: -40°C~+80°C	GRAY	PUR (UL)	RPC-M12-FR-5CON-PUR-**SH ⁴	5	T4161420005-00X
		FLXIBLE: -25°C~+80°C			RPC-M12-FR-4CON-PUR-**SH ⁴	4	T4161420004-00X
		FIXED: -10°C~+80°C	BLACK	PVC (UL)	RPC-M12-FR-3CON-PUR-**SH ⁴	3	T4161420003-00X
		FLXIBLE: -5°C~+80°C			RPC-M12-FR-2CON-PUR-**SH ⁴	2	T4161420002-00X
					RPC-M12-FR-5CON-PVC-**SH ⁴	5	T4161410005-00X
					RPC-M12-FR-4CON-PVC-**SH ⁴	4	T4161410004-00X
					RPC-M12-FR-3CON-PVC-**SH ⁴	3	T4161410003-00X
					RPC-M12-FR-2CON-PVC-**SH ⁴	2	T4161410002-00X

THIS DRAWING IS A CONTROLLED DOCUMENT.

DWN HAO WANG 13APR2016	TE Connectivity NAME M12X1 RA RECEPTACLE, FREE END A-CODE, SHIELDED, SIZE A2 CAGE CODE - DRAWING NO. C-T41614X00XX00X RESTRICTED TO			
CHK KOBBY ZHAO 13APR2016				
APVD XIANG XU 13APR2016				
PRODUCT SPEC 108-106140				
MATERIAL -	WEIGHT -	SCALE 2:1	SHEET 1 OF 1	REV B

CUSTOMER DRAWING