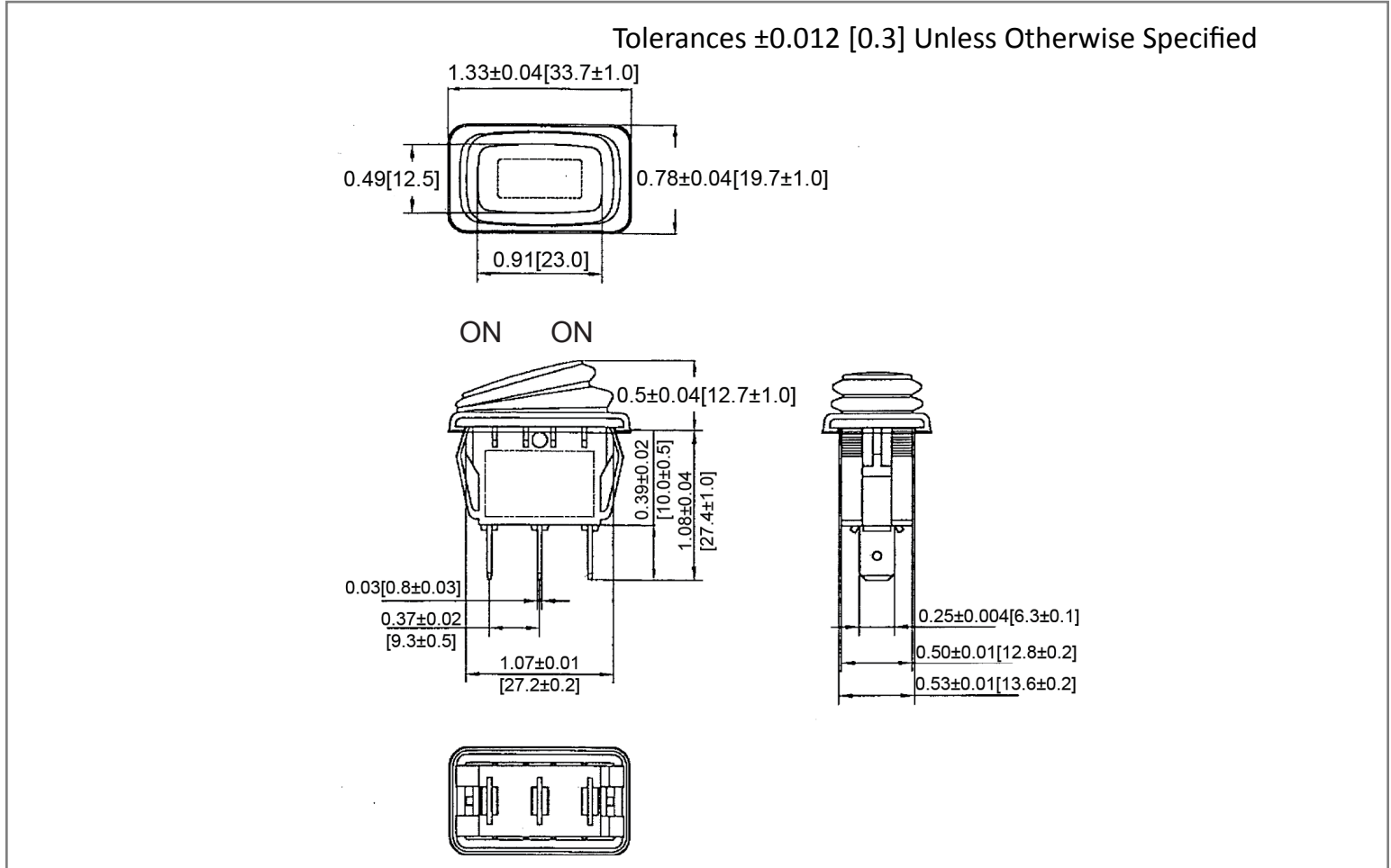
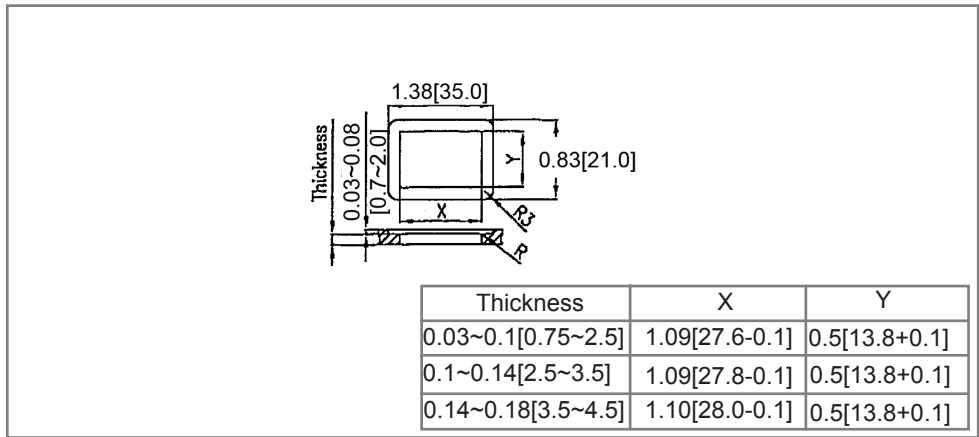


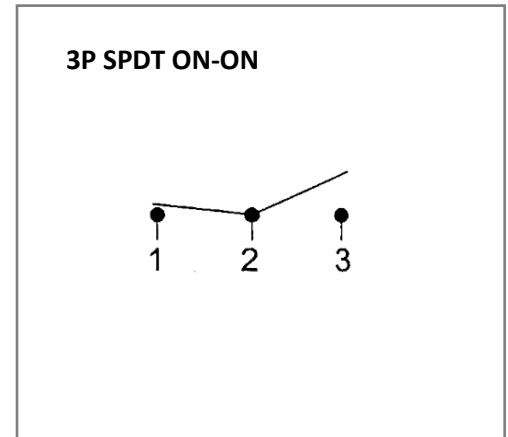
Mechanical Dimensions: Inches [mm]



Mounting Hole



Circuit Diagram



Electrical Specifications

| | | | |
|------------------------------|------------------------|--------------------------|-----------------------------|
| Rating | 16A 12V DC, 10A 28V DC | Frame | Black, Nylon 66 |
| Contact Resistance | 50m ohm Max. | Actuator | Blue, Nylon#66+30%GF |
| Insulation Resistance | DC 500V 100M ohm Min. | Waterproof Rubber | Black, Silicone |
| Dielectric Strength | AC 1500V 1 minute | Terminals | Silver Plated, Copper Alloy |
| Operation Temperature | -25° C-85° C | | IP65 |

| Rev | Date of issue | Revision Notes | Designed | Approved |
|-----|---------------|-----------------|----------|----------|
| B | 05-04-2020 | Initial Drawing | RC | OF |