

MTS. Weldable latch clamps, heavy-duty series

Steel



- 1
- 2
- 3
- 4
- 5
- 6
- 7
- 8
- 9
- 10
- 11
- 12
- 13
- 14
- 15
- 16
- 17
- 18

MATERIAL

Weldable black-oxide steel.

SHANK

Ground and hardened steel.

PULLING HOOK

Zinc-plated steel.

OSCILLATING PIN AND NUTS

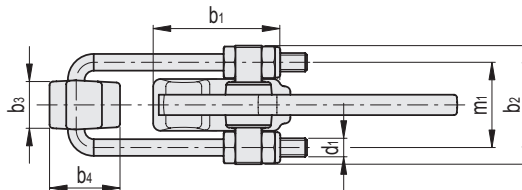
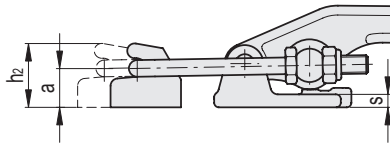
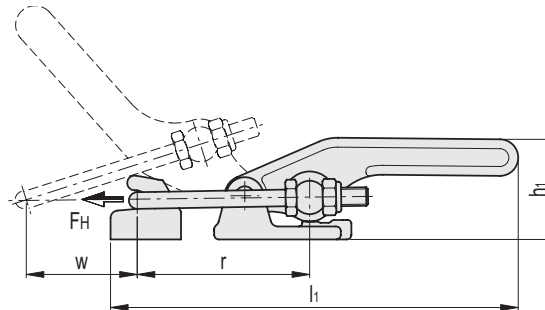
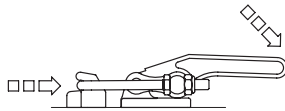
Zinc-plated steel.

FEATURES AND APPLICATIONS

All articulated joints are lubricated with special grease.

MTS. clamps ensure tight closing of any cover; they are suitable for use with high resistant torque thanks to high mechanical resistance of materials.

The position of the pulling hook can be adjusted in length according to the specific applications.



METRIC

Code	Description	a	b1	b2	b3	b4	d1	h1	h2	l1	m1	r	s	Stroke w	FH [N]*	Δ
GG.AL520	MTS.1700-T2S	21	68	64	26.5	38	M10	55	34.5	221	46	94+106	7	54+58	17000	1085
GG.AL524	MTS.4000-T2S	27	85	80	32	50	M12	68	43	277	55	102+124	9	62+65	40000	2070

Toggle clamps

1646

* Holding force.



Models all rights reserved in accordance with the law. Always mention the source when reproducing our drawings and photos.

