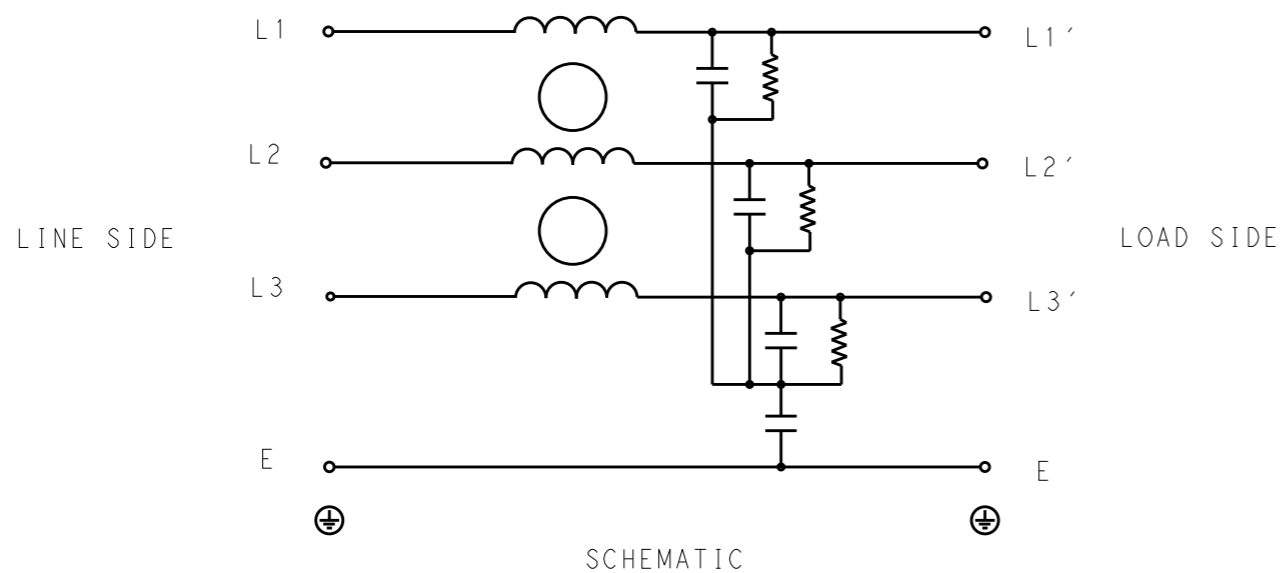


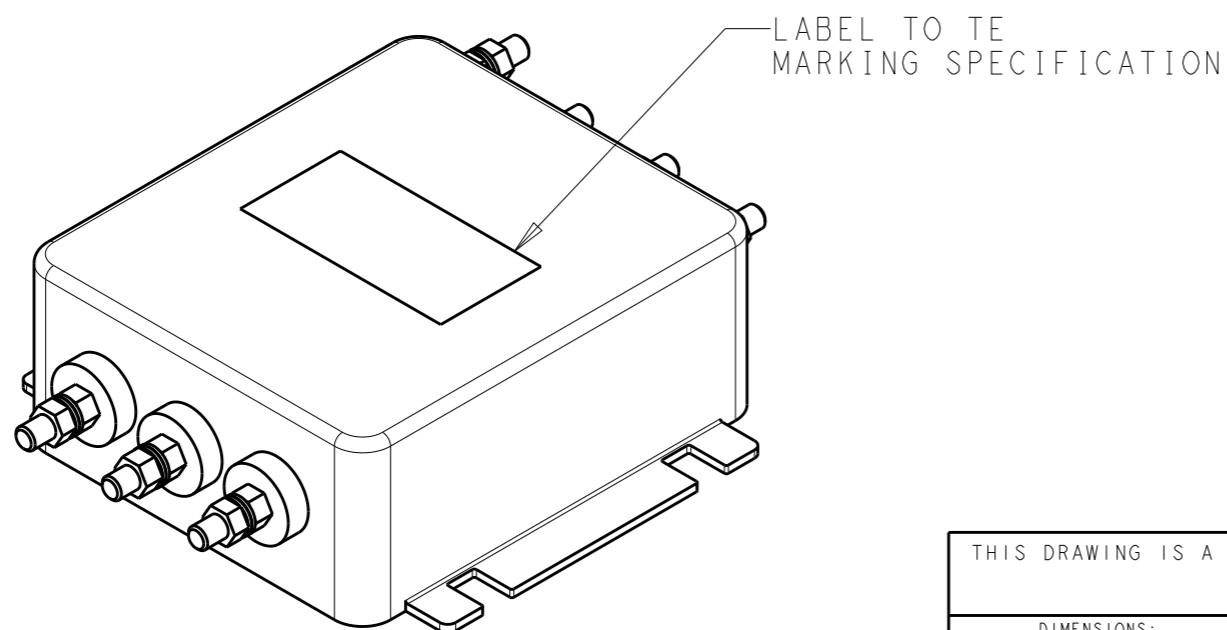
| P | LTR | DESCRIPTION | DATE | DWN | APVD |
|---|-----|-----------------|-----------|-----|------|
| | B | INITIAL RELEASE | 12FEB2020 | SR | LI |



SCHEMATIC

TYPICAL INSERTION LOSS
COMMON MODE 50/50Ω; DIFFERENTIAL MODE 50/50Ω

| MHz | 0.01 | 0.05 | 0.15 | 0.5 | 1 | 3 | 5 | 10 | 30 |
|-----|------|------|------|-----|----|----|----|----|----|
| CM | 5 | 5 | 12 | 22 | 34 | 39 | 45 | 37 | 46 |
| DM | 7 | 7 | 11 | 23 | 31 | 38 | 44 | 41 | 51 |



SAFETY ORGANIZATIONS

THIS FILTER WILL BE FORMALLY RECOGNIZED, CERTIFIED OR APPROVED BY THE LISTED AGENCY. THEREFORE, ALL TEST/REQUIREMENTS SPECIFIED IN THE LATEST REVISION OF THE FOLLOWING AGENCY STANDARDS WILL BE MET:

UL RECOGNIZED* 40A 440V 50Hz/60Hz 40°C
 CSA CERTIFIED** 40A 440V 50Hz/60Hz 40°C

*31 JULY 2020 ; **31 AUGUST 2020

OPERATING SPECIFICATION

LINE CURRENT/VOLTAGE: 40A, 440VAC
 LINE FREQUENCY: 50/60Hz

MAXIMUM LEAKAGE CURRENT: 5mA @ 230VAC, 50Hz

OPERATING AMBIENT TEMPERATURE RANGE @ RATED CURRENT: -25°C TO +40°C

IN AN AMBIENT, T_a, HIGHER THAN 40°C, THE MAXIMUM OPERATING CURRENT, I_o, IS AS FOLLOWS:

$$I_o = I_r \sqrt{\frac{85 - T_a}{45}}$$

RELIABILITY SPECIFICATIONS

STORAGE TEMPERATURE: -40°C TO +85°C
 HUMIDITY: 21 DAYS @ 40°C AND 95% RH

TEST SPECIFICATIONS

INDUCTANCE, NOMINAL: 0.25mH

CAPACITANCE @ 1kHz

LINE TO GROUND, NOMINAL: 21nF
 LINE TO LINE, NOMINAL: 235nF

DISCHARGE RESISTOR

L/G I.R. 680KΩ 1W
 L/L I.R. 2MΩ 1W
 L/N I.R. XXX
 N/G I.R. XXX

IR (NO DISCHARGE RESISTOR) 20°C, 50% RH AND 100VDC, MIN: 6MΩ

RECOMMENDED RECEIVING INSPECITON HIPOT

LINE TO GROUND FOR 1 MINUTE: 2632VDC
 LINE TO LINE FOR 1 MINUTE: 1892VDC

FILTER APPROVAL

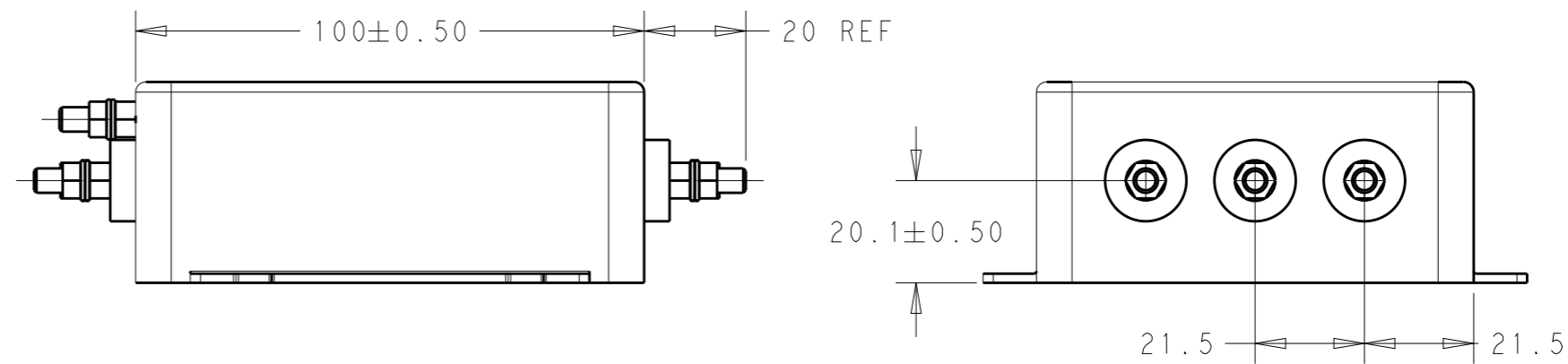
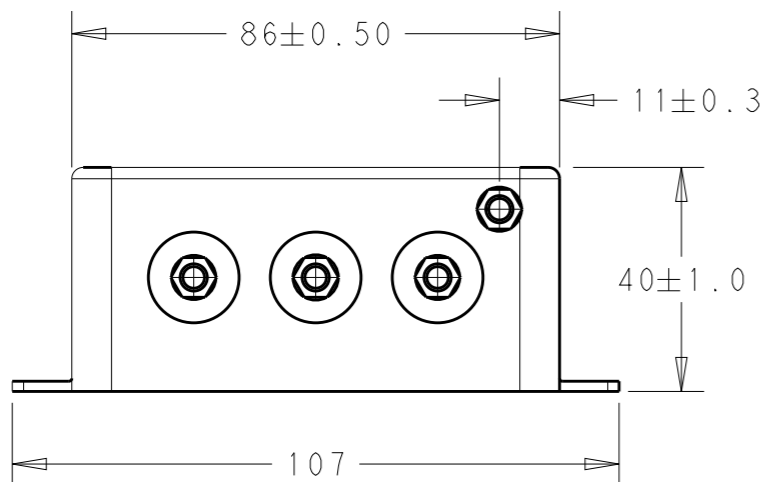
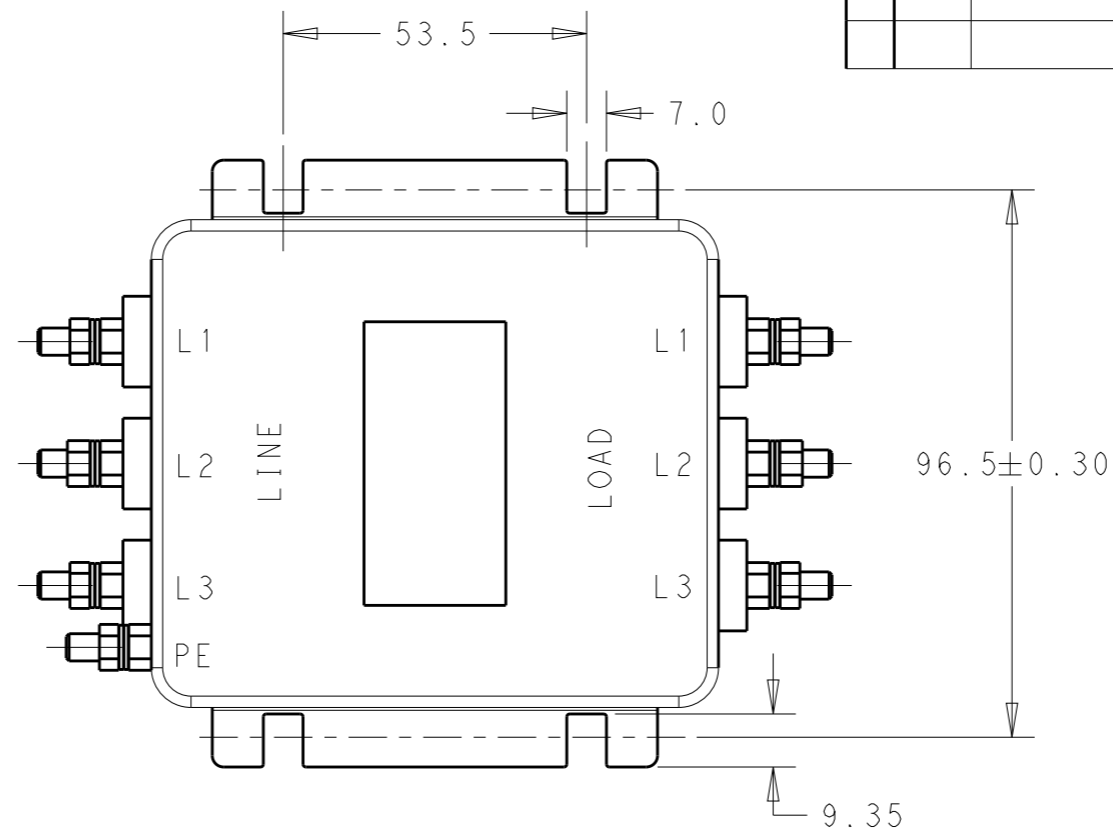
THE BEST WAY TO SELECT AND QUALIFY A FILTER IS FOR YOUR ENGINEERING TO TEST THE UNIT IN YOUR EQUIPMENT.

| | | | | | |
|---|--|--------------------------------|-------------------------------------|-----------------|--------------------------|
| THIS DRAWING IS A CONTROLLED DOCUMENT. | | DWN SUPREETH R 06FEB2020 | TE Connectivity | | |
| DIMENSIONS: mm | | CHK LEO IRUDHAYARAJ 06FEB2020 | | | |
| TOLERANCES UNLESS OTHERWISE SPECIFIED: | | APVD LEO IRUDHAYARAJ 06FEB2020 | NAME POWER LINE FILTER 40KEBS6AFPDP | | |
| 0 PLC ±- 1 PLC ±0.5 2 PLC ±0.40 3 PLC ±0.130 4 PLC ±0.0500 ANGLES ±- | | PRODUCT SPEC - | RESTRICTED TO - | | |
| MATERIAL - | | APPLICATION SPEC - | SIZE A3 | CAGE CODE 00779 | DRAWING NO C-1-1609965-8 |
| FINISH - | | WEIGHT - | CUSTOMER DRAWING | | |
| | | SCALE 3:4 | | SHEET 1 OF 2 | REV B |

NOTE 1 GROUND CONNECTION:
DO NOT LOOSEN INNER GROUND NUTS.
TORQUE OUTER TERMINAL /GROUND NUTS: 2Nm

NOTE 2 INPUT OUTPUT CONNECTION TERMINAL
AWG SIZE: XXX
THREADED BOLT SIZE FOR TERMINAL: M5
THREADED BOLT SIZE FOR GROUND: M5

| REVISIONS | | | | | |
|-----------|-----|-------------|------|-----|------|
| P | LTR | DESCRIPTION | DATE | DWN | APVD |
| | | SEE SHEET 1 | | | |
| | | | | | |
| | | | | | |



| | | | | | | | | | | | | | | | | | |
|---|---------|--------------------------------------|--|--------------|--------------------|-----------------------------|--------|-------|---------|-------|---|--------|---|-------------------|--------------------|--|--|
| THIS DRAWING IS A CONTROLLED DOCUMENT. | | DWN SUPREETH R 06FEB2020 | | | | | | | | | | | | | | | |
| DIMENSIONS: mm | | CHK LEO IRUDHAYARAJ 06FEB2020 | | | | | | | | | | | | | | | |
| TOLERANCES UNLESS OTHERWISE SPECIFIED: | | APVD LEO IRUDHAYARAJ 06FEB2020 | NAME POWER LINE FILTER 40KEBS6AFPD | | | | | | | | | | | | | | |
| <table border="0"> <tr> <td>0 PLC</td> <td>±0.5</td> </tr> <tr> <td>1 PLC</td> <td>±0.4</td> </tr> <tr> <td>2 PLC</td> <td>±0.130</td> </tr> <tr> <td>3 PLC</td> <td>±0.0500</td> </tr> <tr> <td>4 PLC</td> <td>±</td> </tr> <tr> <td>ANGLES</td> <td>±</td> </tr> </table> | | 0 PLC | ±0.5 | 1 PLC | ±0.4 | 2 PLC | ±0.130 | 3 PLC | ±0.0500 | 4 PLC | ± | ANGLES | ± | PRODUCT SPEC - | RESTRICTED TO - | | |
| 0 PLC | ±0.5 | | | | | | | | | | | | | | | | |
| 1 PLC | ±0.4 | | | | | | | | | | | | | | | | |
| 2 PLC | ±0.130 | | | | | | | | | | | | | | | | |
| 3 PLC | ±0.0500 | | | | | | | | | | | | | | | | |
| 4 PLC | ± | | | | | | | | | | | | | | | | |
| ANGLES | ± | | | | | | | | | | | | | | | | |
| MATERIAL - | | FINISH - | APPLICATION SPEC - | SIZE A3 | CAGE CODE 00779 | DRAWING NO C-1-1609965-8 | | | | | | | | | | | |
| - | | WEIGHT - | CUSTOMER DRAWING | SCALE 3:4 | SHEET 2 OF 2 | REV B | | | | | | | | | | | |