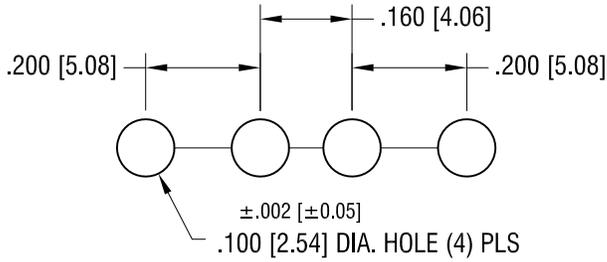
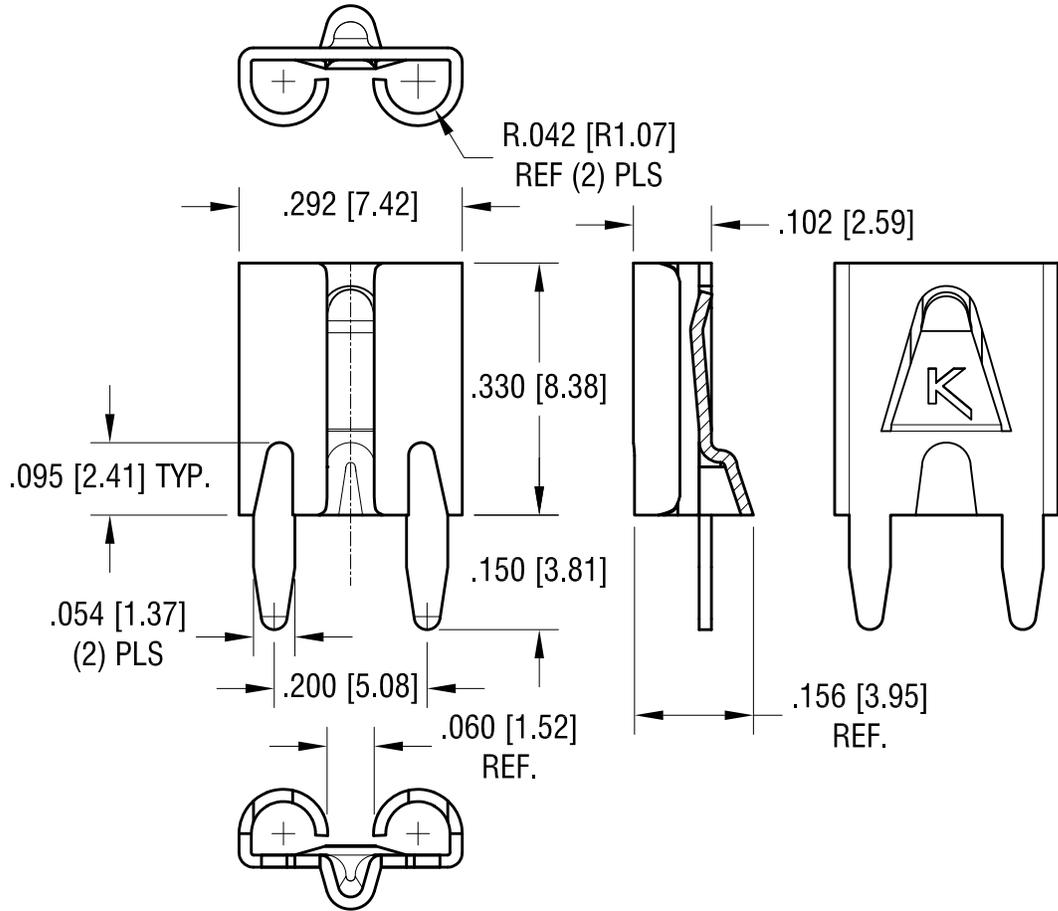
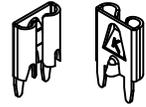


THIS DOCUMENT IS THE PROPERTY OF KEYSTONE ELECTRONICS CORP. AND SHALL NOT BE REPRODUCED, DISTRIBUTED OR USED AS A BASIS FOR MANUFACTURE WITHOUT PRIOR WRITTEN PERMISSION FROM KEYSTONE ELECTRONICS CORP.

MOUNTING LAYOUT FOR TWO CLIPS



ACTUAL SIZE



KEY FILE NUMBER: E354010

12.31.18	CHANGE AS PER ECN18-050	B
9.07.12	CHANGE AS PER ECN12-131	A
DATE	DESCRIPTION	REV.

KEYSTONE ELECTRONICS CORP.			
www.keyelco.com • NEW HYDE PARK, NY 11040 • Tel (516) 328-7500			
PART NAME		PC AUTO FUSE CLIP	
MATERIAL		.016 [0.40] TH'K BRASS	
FINISH		DRN BY	DATE
MATTE TIN PLATE		NT	2.21.10
		APP'D	SCALE
		MR	4X
TOLERANCES	INCH [MM]	CODE	DWG NO.
DECIMAL	± .005 [± 0.13]	C	3573
ANGULAR	± 1°		
UNLESS OTHERWISE SPECIFIED			