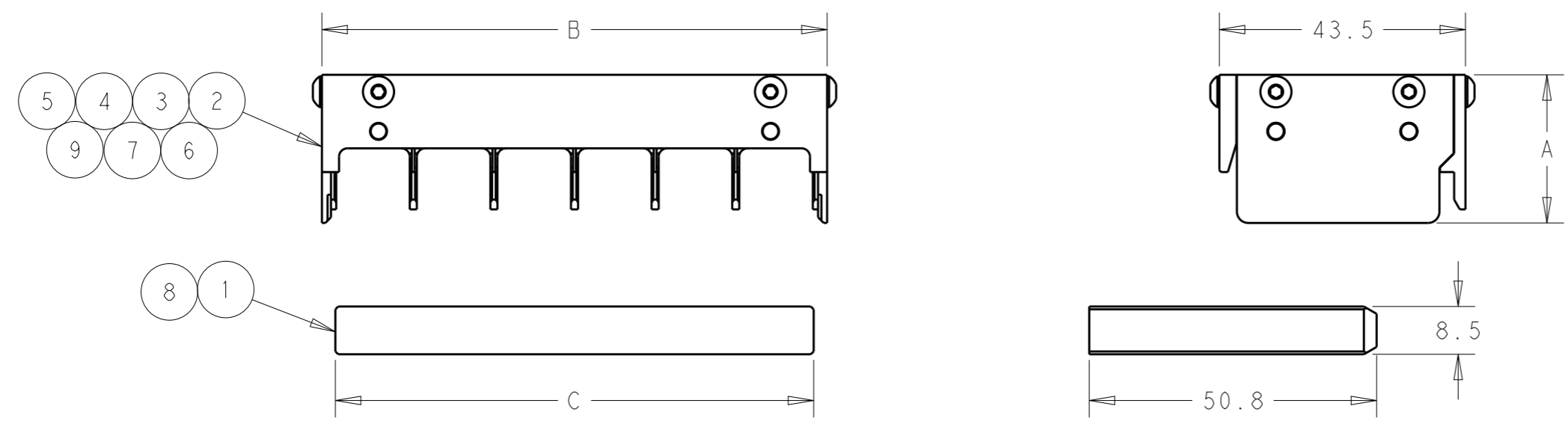


THIS DRAWING IS UNPUBLISHED. RELEASED FOR PUBLICATION 20
 © COPYRIGHT 20 BY - ALL RIGHTS RESERVED.


REVISIONS					
P	LTR	DESCRIPTION	DATE	DWN	APVD
	A	INITIAL RELEASE	23SEP2015	CZ	VL
	A1	SEE ECR-17-010460	3JUL2017	CZ	DP
	A2	ECR-20-000132 ADD -7	31DEC2019	DC	JM

PART NUMBER	REV	FIRST USED	A	B	C	SIZE
2215096-1	A	2293156-4, 2293156-6	26.2	89.3	84.6	1X6
2215096-2	A	2293156-3, 2293156-5, 2296004-1, 2296004-2, 2296004-3	31.6	89.3	84.6	1X6
2215096-3	A	2293156-2, 2293156-7, 2296003-1, 2302141-2	29.3	89.3	84.6	1X6 W LP
2215096-4	A	2302014-1, 2302014-2	29.3	117.8	113.1	1X8 W LP
2215096-5	A	2302141-1	26.2	89.3	84.6	1X6
2215096-6	A	2302141-3	34.3	89.3	84.6	1X6
2215096-7	A	2349975-1	29.3	117.8	113.1	1X8 W LP



1	-	-	-	-	-	-	-	2215097-7	ASSY TOP TOOL, zSFP+ 1X8, W LP	9
1	-	-	1	-	-	-	-	2215818-1	SUPPORT, WALL, 1X8	8
-	1	-	-	-	-	-	-	2215097-6	ASSY TOP TOOL, zSFP+ 1X6	7
-	-	1	-	-	-	-	-	2215097-5	ASSY TOP TOOL, zSFP+ 1X6	6
-	-	-	1	-	-	-	-	2215097-4	ASSY TOP TOOL, zSFP+ 1X8, W LP	5
-	-	-	-	1	-	-	-	2215097-3	ASSY TOP TOOL, zSFP+ 1X6, W LP	4
-	-	-	-	-	1	-	-	2215097-2	ASSY TOP TOOL, zSFP+ 1X6	3
-	-	-	-	-	-	1	-	2215097-1	ASSY TOP TOOL, zSFP+ 1X6	2
-	1	1	-	1	1	1	-	2215818-3	SUPPORT, WALL, 1X6	1
-7	-6	-5	-4	-3	-2	-1	U/M	PART NO	DESCRIPTION	ITEM NO

THIS DRAWING IS A CONTROLLED DOCUMENT.

DWN C. ZHU	23SEP2015	 TE Connectivity
CHK E. PRICE	23SEP2015	
APVD V. J.	23SEP2015	
PRODUCT SPEC SEE TABLE		NAME ASSY SEATING TOOL, zSFP+ 1XN
APPLICATION SPEC -		SIZE A3
WEIGHT -		CAGE CODE 00779
MATERIAL -		DRAWING NO C-2215096
FINISH -		RESTRICTED TO -

CUSTOMER DRAWING SCALE 1:1 SHEET 1 OF 1 REV A2