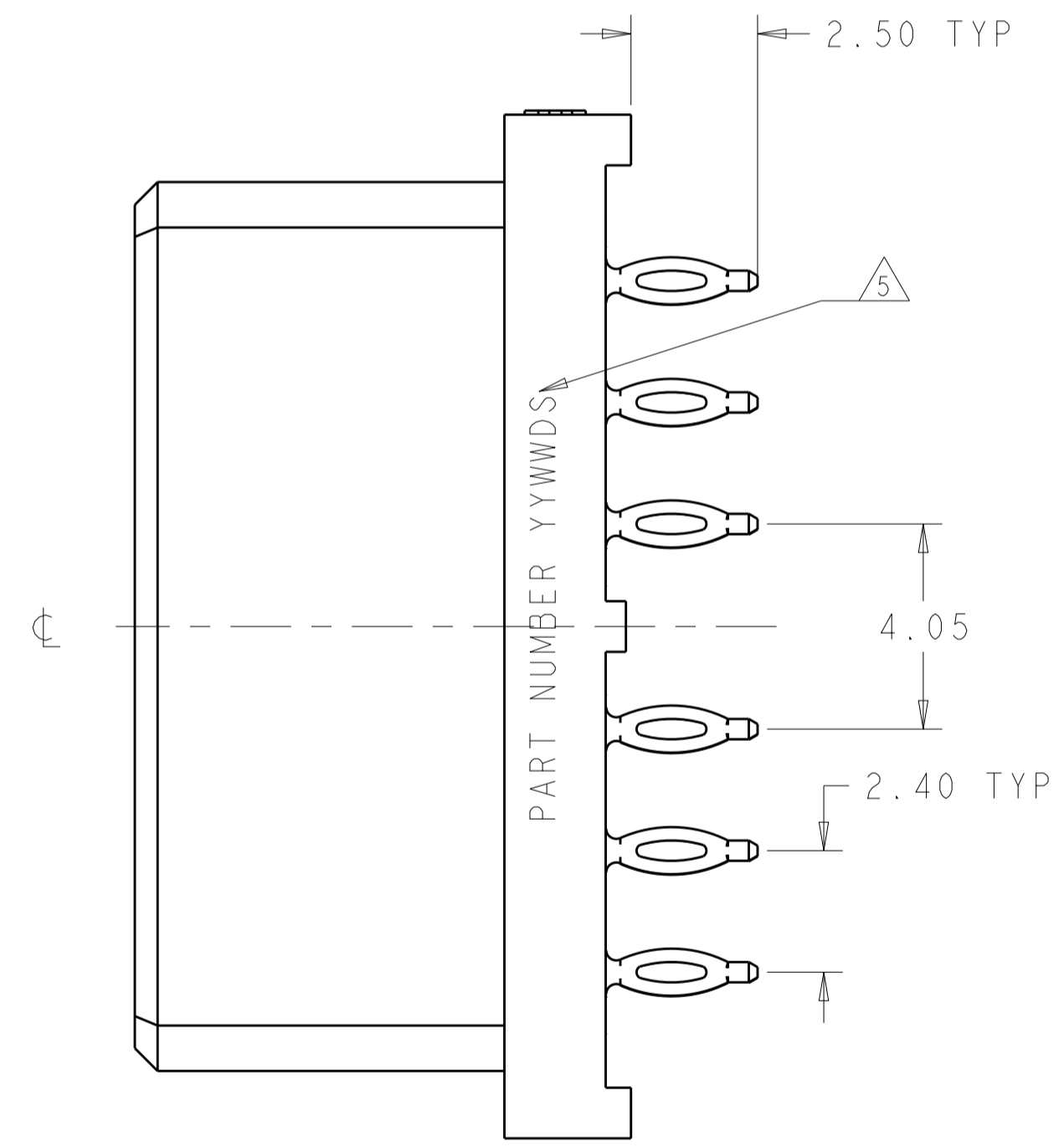
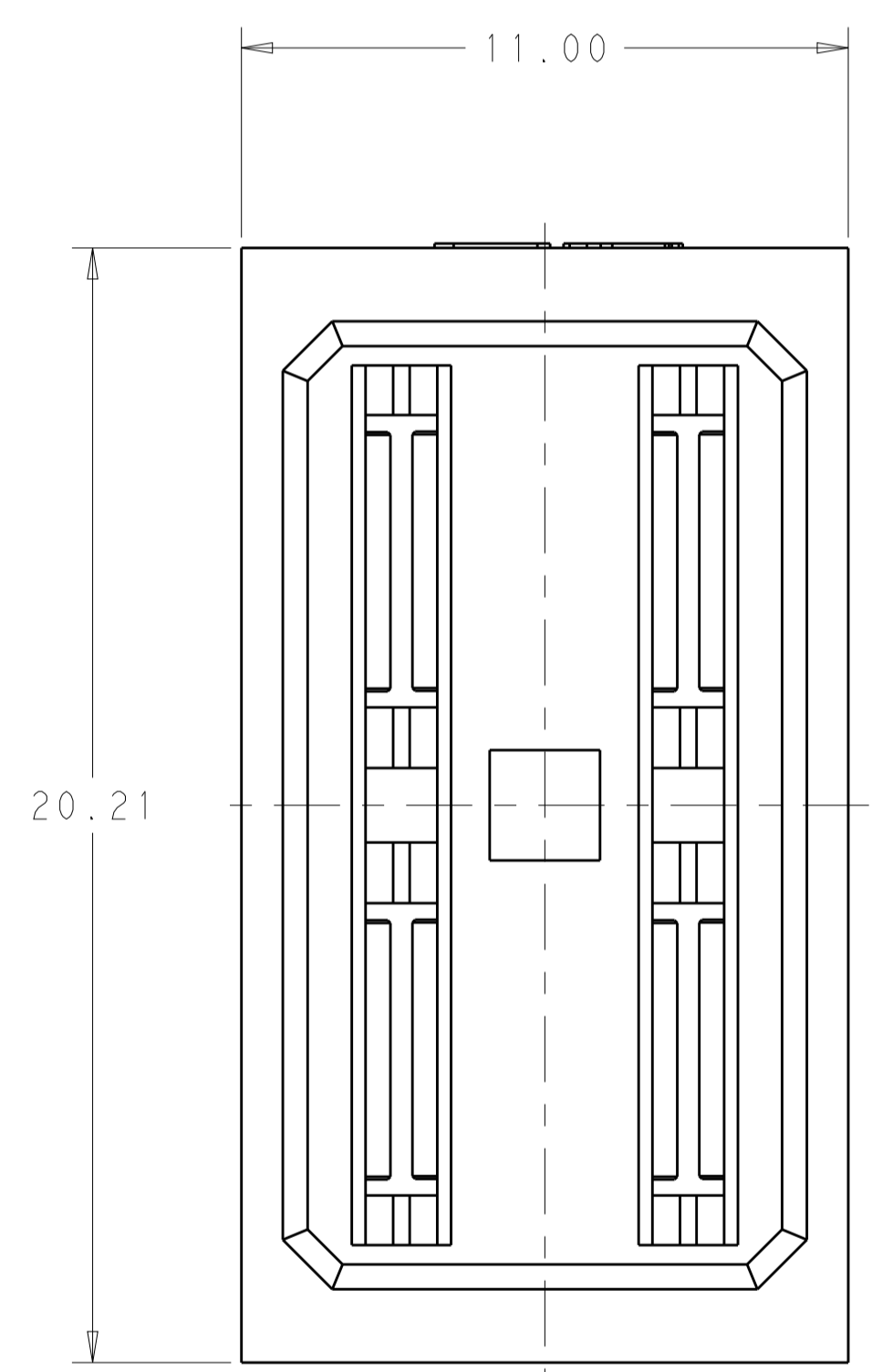
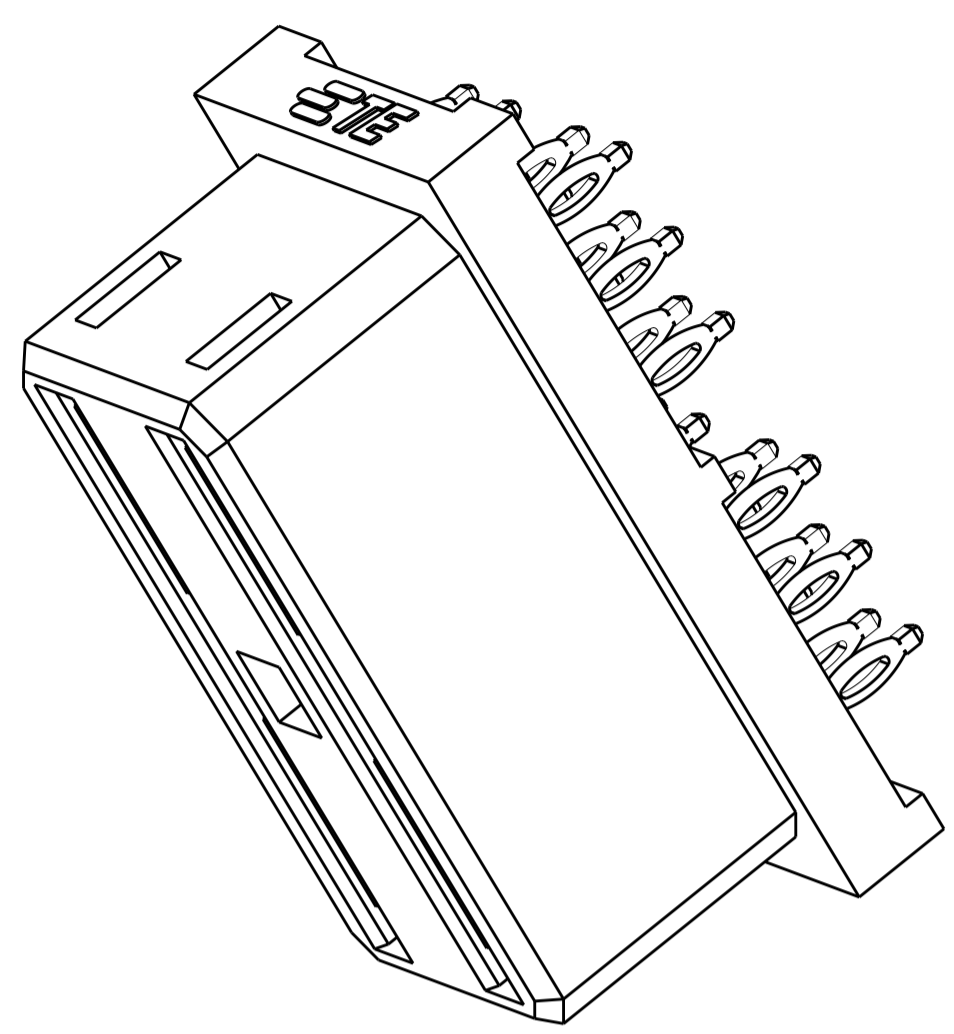
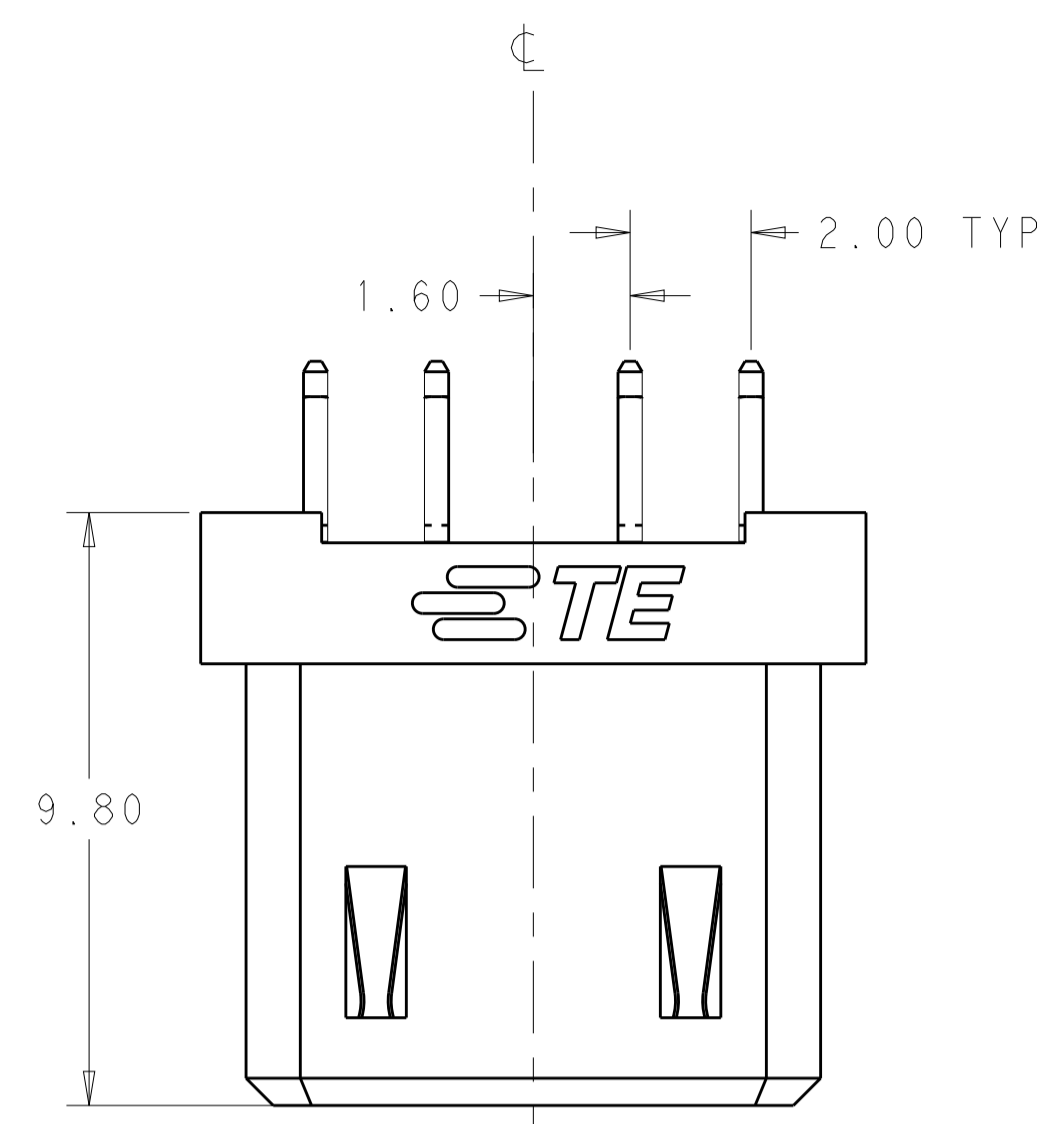


LOC		DIST		REVISIONS			
		P	LTN	DESCRIPTION	DATE	DWN	APVD
		A		INITIAL RELEASE	07JUN2012	LW	AC
		A1		REV PER ECR-12-013085	20JULY2012	LW	AC



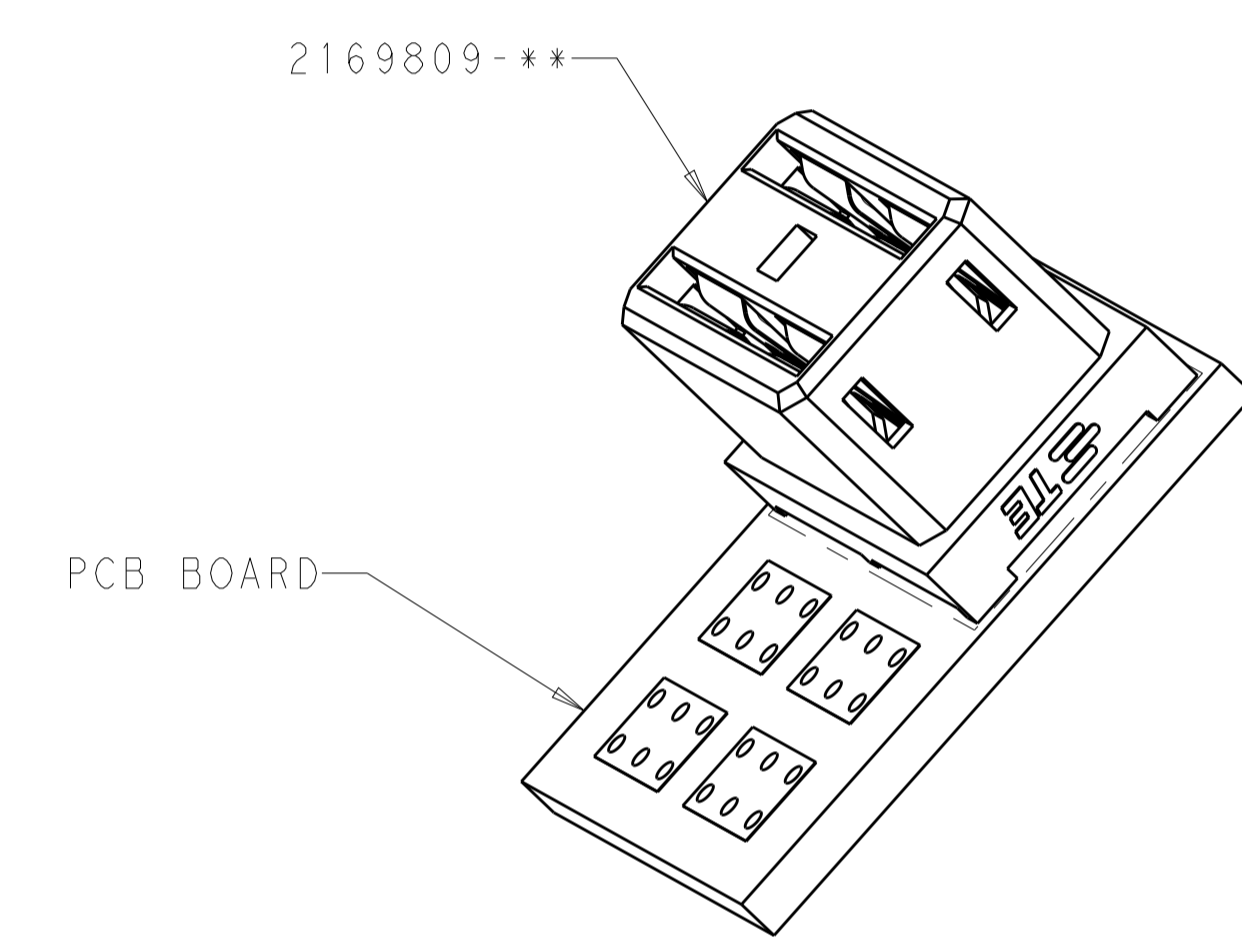
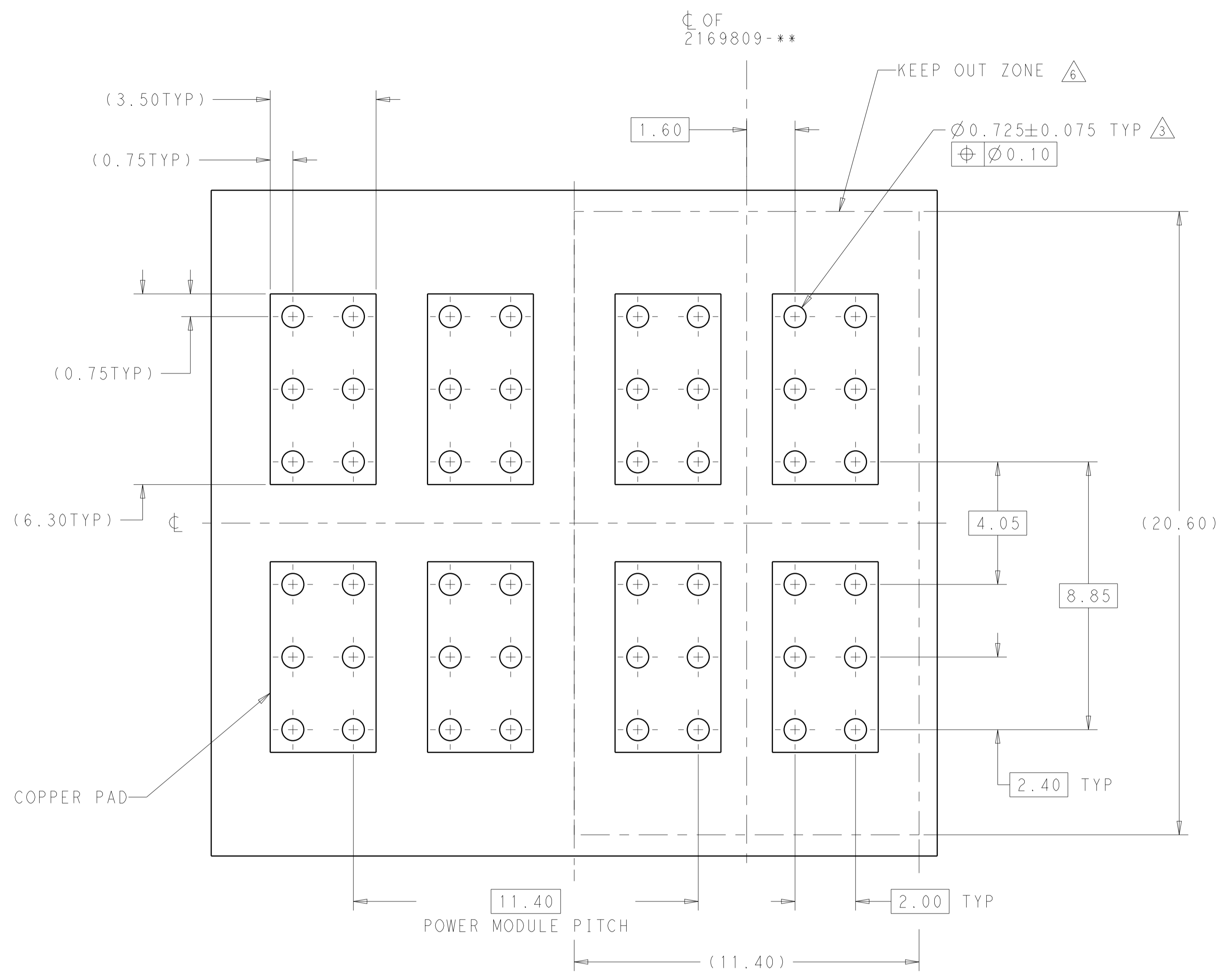
NOTES:

1. MATERIALS:
 HOUSING: HIGH TEMP, THERMOPLASTIC GLASS/MINERAL FILLED UL94V-0.
 CONTACT: COPPER ALLOY
- △. FINISH OPTION
 TIN OPTION: 0.76um MINIMUM GOLD AT CONTACT AREA
 2.54um MINIMUM NICKEL UNDERPLATE OVER ALL
 TIN AT TAIL AREA.
 TIN-LEAD OPTION: 0.76um MINIMUM GOLD AT CONTACT AREA
 2.54um MINIMUM NICKEL UNDERPLATE OVER ALL
 TIN-LEAD AT TAIL AREA.
- △. PCB NOTE FOR DIAMETER 0.725mm PLATED HOLE.
 -DRILLED HOLE SIZE IS 0.838mm
 -PLATED WITH 0.007mm MIN. TIN OVER.
 0.03 TO 0.08mm COPPER UNDERPLATE TO ACHIEVE
 0.725±0.075mm HOLE.
4. MATES WITH 2169802-***.
- △. PART NUMBER AND DATE CODE AT ASSEMBLY AREA AS APPROXIMATE SHOWN.
- △. KEEP OUT ZONE FROM OTHER COMPONENTS.

OBSOLETE	TRAY	TIN-LEAD PLATING	5 2169809 1
		TIN PLATING	2169809-1
PACKAGING	△ PLATING OPTION	PART NUMBER	

THIS DRAWING IS A CONTROLLED DOCUMENT.		DWN: 07MAR2011	TE Connectivity NAME: IMPACT POWER, 4 PAIR VERTICAL RECEPTACLE PRESS-FIT
DIMENSIONS:		CHK: 07MAR2011	
TOLERANCES UNLESS OTHERWISE SPECIFIED:		APVD: 07MAR2011	
0 PLC ±.05 1 PLC ±.05 2 PLC ±0.25 3 PLC ±.05 4 PLC ±.05 ANGLES ±.5° FINISH: △		PRODUCT SPEC: 108-2473 APPLICATION SPEC: 114-32028 WEIGHT: - CUSTOMER DRAWING	
MATERIAL: △		SIZE: A1 CAGE CODE: 00779 DRAWING NO: C=2169809	RESTRICTED TO: - SCALE: 1:1 SHEET: 1 OF 2 REV: A1

LOC		DIST		REVISIONS			
P	LTN	DESCRIPTION	DATE	DMN	APVD		
-	-	SEE SHEET 1	-	-	-	-	-



CONNECTOR MATES WITH PCB

RECOMMENDED PCB LAYOUT
 (COMPONENT SIDE SHOWN)
 MINIMUM BOARD THICKNESS: 1.60mm

THIS DRAWING IS A CONTROLLED DOCUMENT.		DMN: 07MAR2011	TE Connectivity
DIMENSIONS: mm		CHK: 07MAR2011	
		APVD: JHC	NAME: IMPACT POWER, 4 PAIR VERTICAL RECEPTACLE PRESS-FIT
TOLERANCES UNLESS OTHERWISE SPECIFIED:		PRODUCT SPEC: 108-2473	SIZE: A1
0 PLC ±.00		APPLICATION SPEC: 114-32028	CAGE CODE: 2169809
1 PLC ±.025		WEIGHT: -	RESTRICTED TO: -
2 PLC ±.05		CUSTOMER DRAWING	SCALE: 1:1
3 PLC ±.075			SHEET: 2 OF 2
4 PLC ±.10			REV: A1
ANGLES ±.0°			
FINISH: -			