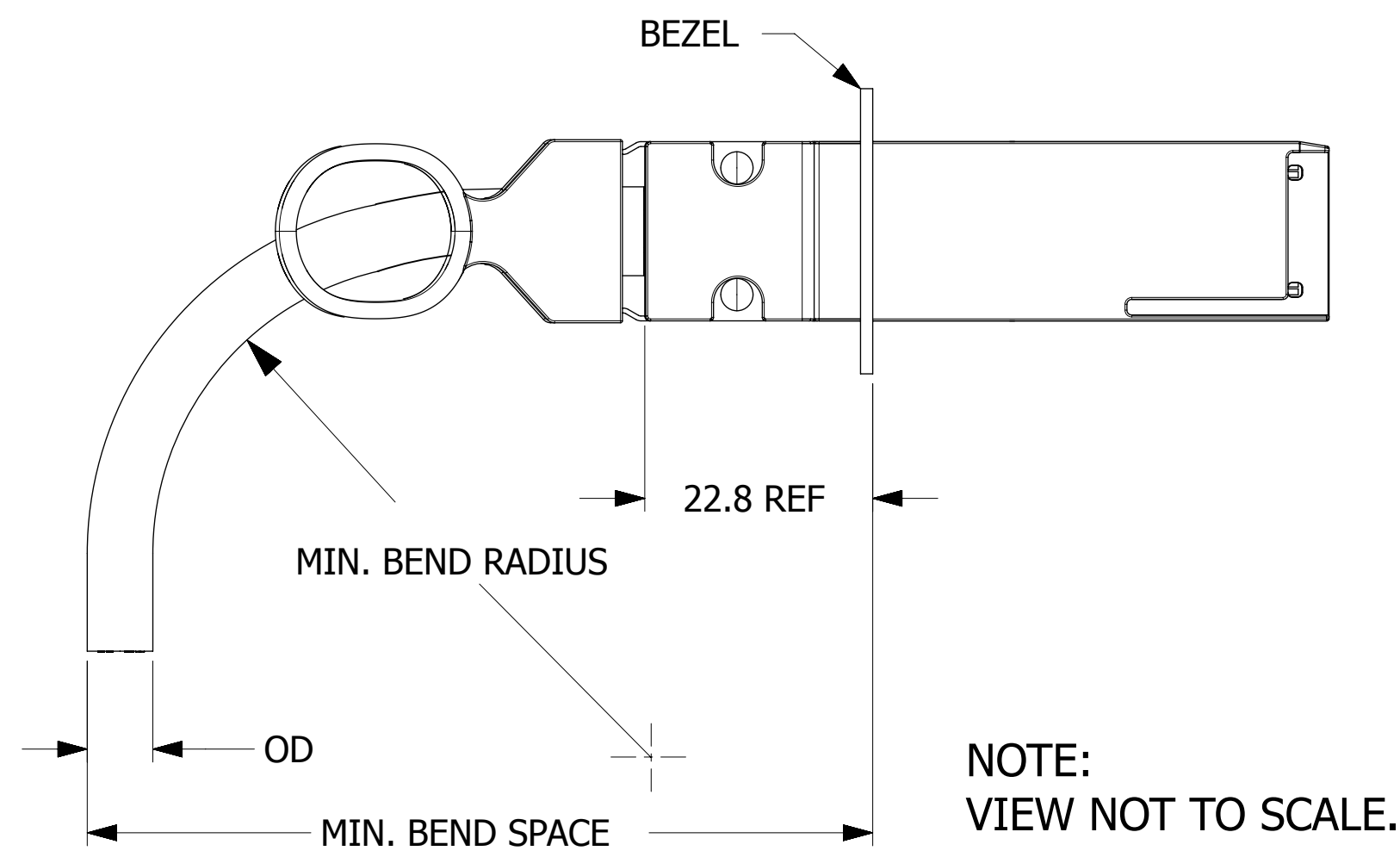


QSFP-DD ASSEMBLY (P1 END)  
 zQSFP+ ASSEMBLY - 30AWG (P2-P5 END)  
 zQSFP+ ASSEMBLY - 28AWG (P2-P5 END)

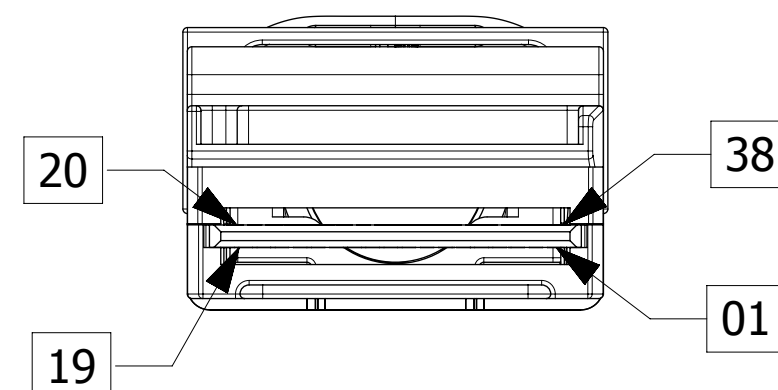
- NOTES:**
- CABLE LENGTH DEPENDS ON WIRE GAUGE, DATA RATE, AND HOST BOARD DRIVER CAPABILITIES
  - MATERIALS:  
 BACKSHELLS - ZINC DIE CAST WITH BRIGHT NICKEL PLATING  
 DELATCH - STAINLESS STEEL WITH OVERMOLDED NYLON  
 RIVETS - STAINLESS STEEL
  - IMPEDANCE - 100 OHMS DIFFERENTIAL
  - CABLE IS UL RECOGNIZED (TBD)
  - EEPROM MAP AVAILABLE UPON REQUEST
  - RoHS COMPLIANT, NO EXEMPTIONS
  - ASSEMBLY TO BE SHIPPED WITH DUST COVERS INSTALLED ON ALL CABLE ENDS

SYMBOLS		THIS DRAWING CONTAINS INFORMATION THAT IS PROPRIETARY TO MOLEX ELECTRONIC TECHNOLOGIES, LLC AND SHOULD NOT BE USED WITHOUT WRITTEN PERMISSION		CURRENT REV DESC: ADDED SPEED LABEL	
▽ = 0	mm	SCALE	1:1		
▽ = 0	GENERAL TOLERANCES (UNLESS SPECIFIED)				
▽ = 0	ANGULAR TOL	±	5.0°		
▽ = 0	4 PLACES	±		EC NO: 623041	
▽ = 0	3 PLACES	±		DRWN: JJACKSON02 2019/08/23	
▽ = 0	2 PLACES	±	0.13	CHK'D: JREEVES 2019/08/23	
▽ = 0	1 PLACE	±	0.25	APPR: MGARRISON 2019/08/26	
▽ = 0	0 PLACES	±		INITIAL REVISION:	
▽ = 0	DRAFT WHERE APPLICABLE MUST REMAIN WITHIN DIMENSIONS		THIRD ANGLE PROJECTION	DRAWING	SERIES
▽ = 0				D-SIZE	206566
DOCUMENT STATUS		P1	RELEASE DATE	2019/08/26	16:16:05
DOCUMENT NUMBER		DOC TYPE		DOC PART	REVISION
2065661000		PSD		000	G
MATERIAL NUMBER		CUSTOMER		SHEET NUMBER	
SEE P/N TABLE		GENERAL MARKET		1 OF 3	

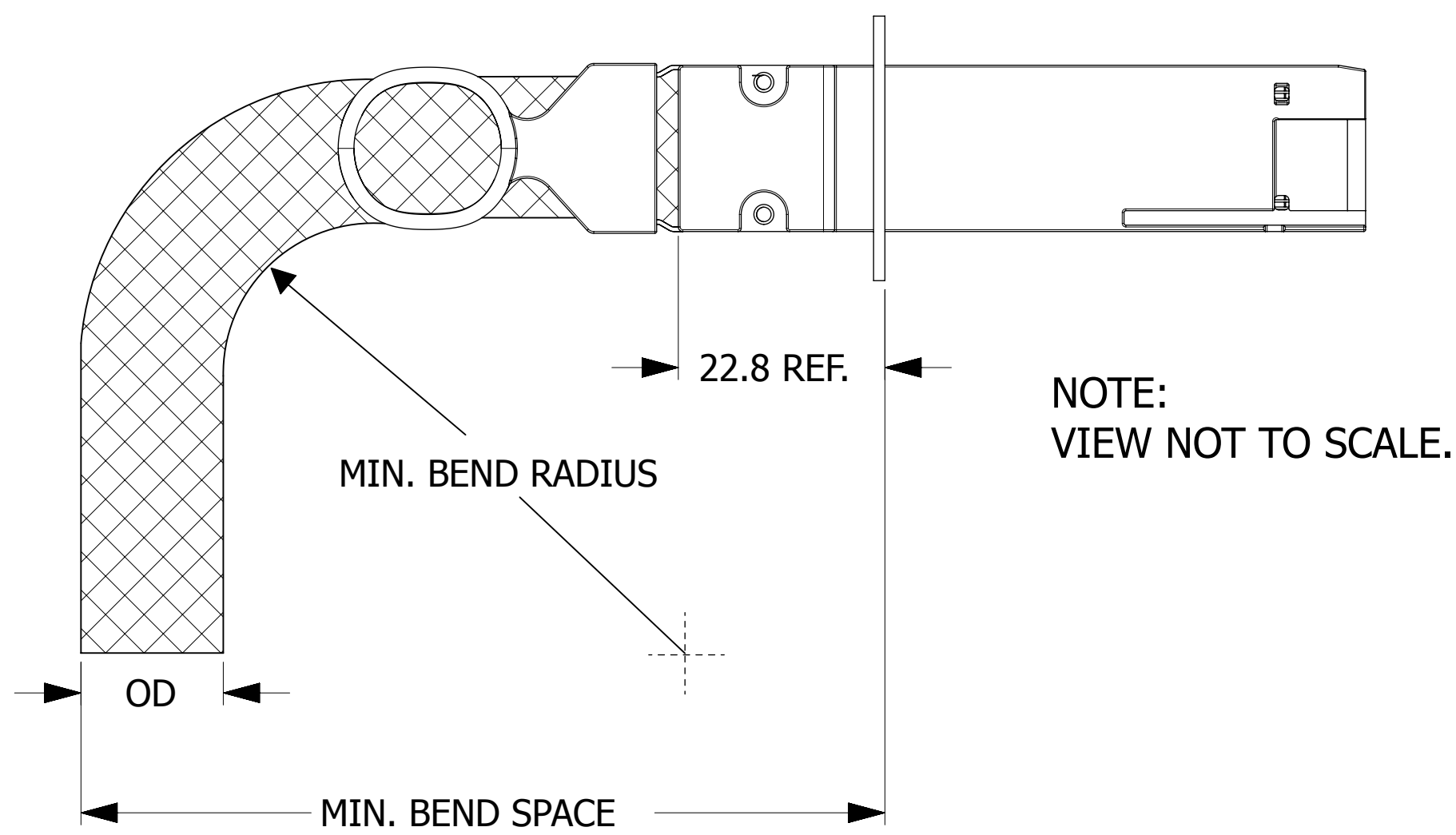
### zQSFP+ CABLE BEND RADIUS



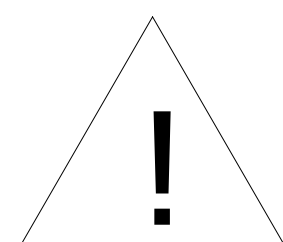
CABLE AWG	OD (mm)	MIN BEND RADIUS (mm)	MIN BEND SPACE (mm)
28	6.5	32.5	61.8
30	5.9	29.5	58.2



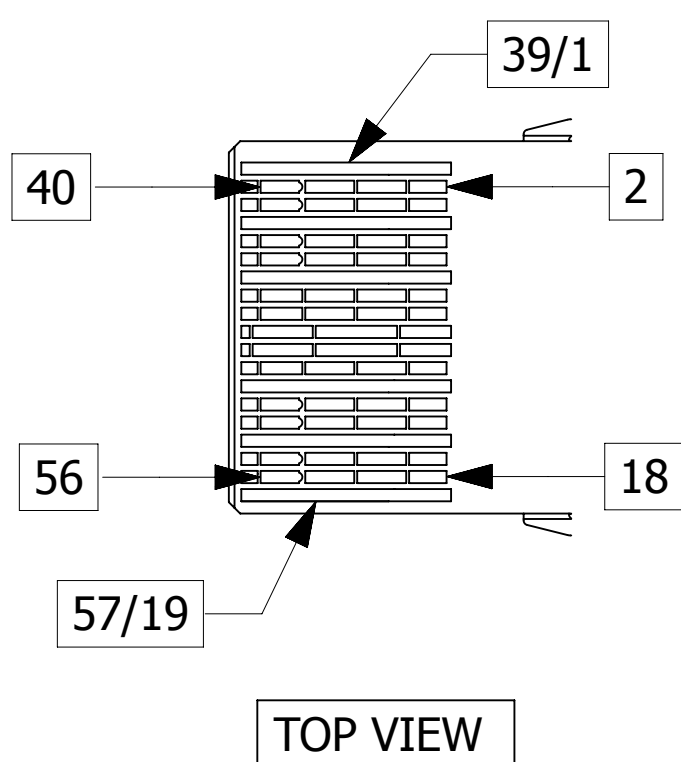
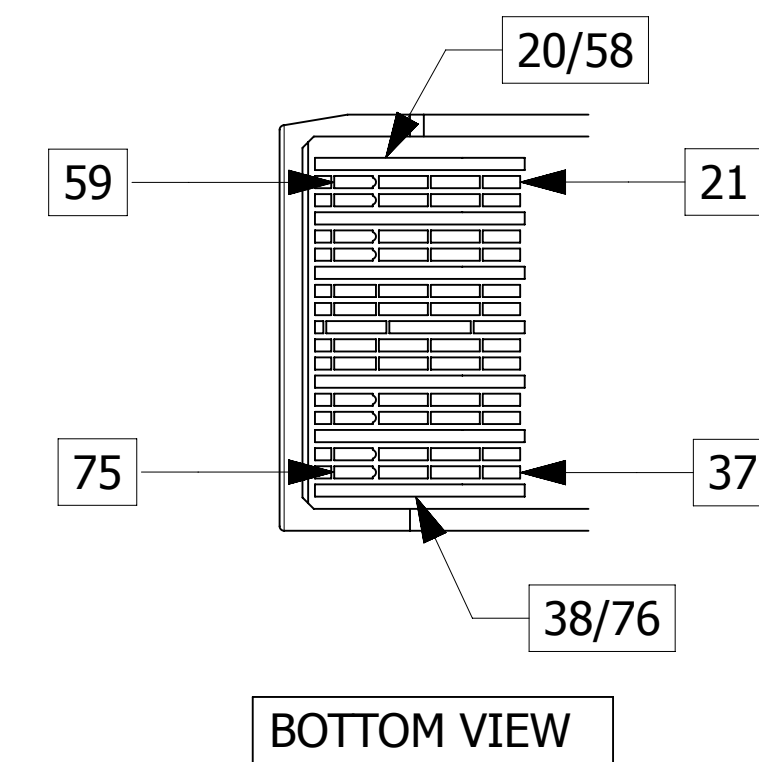
### QSFP-DD CABLE BEND RADIUS



CABLE AWG	OD (mm)	MIN BEND RADIUS (mm)	MIN BEND SPACE (mm)
28	12.5	62.5	97.8
30	(9.4)	(47)	(79)



MINIMUM BEND RADIUS PENDING QUALIFICATION. NUMBERS ABOVE ARE ESTIMATES AND SUBJECT TO CHANGE.



#### LOW SPEED SIGNALS P1, P2, P3, P4, & P5

PAD	SIGNAL
8	MODSELL
9	RESETL
10	VCCRX
11	SCL
12	SDA
27	MODPRSL
28	INTL
29	VCCTX
30	VCC1
31	INIT_MODE
46	OPEN
47	OPEN
48	OPEN
49	OPEN
50	OPEN
65	OPEN
66	OPEN
67	OPEN
68	OPEN
69	OPEN

#### WIRING DIAGRAM

QSFP-DD			zQSFP+		
PAD	SIGNAL	LEG	PAD	SIGNAL	LEG
1	GND	----	20	GND	P2
2	TX2n	--->	21	RX2n	
3	TX2p	--->	22	RX2p	
4	GND	----	20	GND	P3
5	TX4n	--->	21	RX2n	
6	TX4p	--->	22	RX2p	
7	GND	----		GND	
13	GND	----		GND	P2
14	RX3p	<---	36	TX1p	
15	RX3n	<---	37	TX1n	
16	GND	----	38	GND	
17	RX1p	<---	36	TX1p	P3
18	RX1n	<---	37	TX1n	
19	GND	----	38	GND	
20	GND	----	1	GND	
21	RX2n	<---	2	TX2n	P2
22	RX2p	<---	3	TX2p	
23	GND	----	1	GND	
24	RX4n	<---	2	TX2n	
25	RX4p	<---	3	TX2p	P3
26	GND	----		GND	
32	GND	----		GND	
33	TX3p	--->	17	RX1p	
34	TX3n	--->	18	RX1n	P2
35	GND	----	19	GND	
36	TX1p	--->	17	RX1p	
37	TX1n	--->	18	RX1n	
38	GND	----	19	GND	P4

#### WIRING DIAGRAM

QSFP-DD			zQSFP+		
PAD	SIGNAL	LEG	PAD	SIGNAL	LEG
39	GND	----	20	GND	P4
40	TX6n	--->	21	RX2n	
41	TX6p	--->	22	RX2p	
42	GND	----	20	GND	P5
43	TX8n	--->	21	RX2n	
44	TX8p	--->	22	RX2p	
45	GND	----		GND	
51	GND	----		GND	P4
52	RX7p	<---	36	TX1p	
53	RX7n	<---	37	TX1n	
54	GND	----	38	GND	
55	RX5p	<---	36	TX1p	P5
56	RX5n	<---	37	TX1n	
57	GND	----	38	GND	
58	GND	----	1	GND	
59	RX6n	<---	2	TX2n	P2
60	RX6p	<---	3	TX2p	
61	GND	----	1	GND	
62	RX8n	<---	2	TX2n	
63	RX8p	<---	3	TX2p	P3
64	GND	----		GND	
70	GND	----		GND	
71	TX7p	--->	17	RX1p	
72	TX7n	--->	18	RX1n	P4
73	GND	----	19	GND	
74	TX5p	--->	17	RX1p	
75	TX5n	--->	18	RX1n	
76	GND	----	19	GND	

#### NOTES:

- DC BLOCKING CAPS ON RECEIVE SIDE ONLY
- CABLE COILED AND PACKAGED IN BEST FIT ESD BAG AND SEALED WITH ESD LABEL FOR SHIPPING

SYMBOLS	THIS DRAWING CONTAINS INFORMATION THAT IS PROPRIETARY TO MOLEX ELECTRONIC TECHNOLOGIES, LLC AND SHOULD NOT BE USED WITHOUT WRITTEN PERMISSION		CURRENT REV DESC: ADDED SPEED LABEL	
	mm	SCALE 1:1		
GENERAL TOLERANCES (UNLESS SPECIFIED)		EC NO: 623041		
ANGULAR TOL ± 5.0°		DRWN: JJACKSON02 2019/08/23		
4 PLACES ±		CHK'D: JREEVES 2019/08/23		
3 PLACES ±		APPR: MGARRISON 2019/08/26		
2 PLACES ± 0.13		INITIAL REVISION:		
1 PLACE ± 0.25		DRWN: GWATERWORTH 2017/12/07		
0 PLACES ±		APPR: ADTUCKER 2017/12/14		
DRAFT WHERE APPLICABLE MUST REMAIN WITHIN DIMENSIONS		THIRD ANGLE PROJECTION	DRAWING	SERIES
			D-SIZE	206566
DOCUMENT STATUS		MATERIAL NUMBER		SHEET NUMBER
P1	2065661000	SEE P/N TABLE		2 OF 3
RELEASE DATE	DOC TYPE	CUSTOMER		
2019/08/26	PSD	GENERAL MARKET		
16:16:05	000			
	G			



QSFP-DD TO (4) ZQSFP+ 56G CABLE ASY

PRODUCT CUSTOMER DRAWING

DOCUMENT NUMBER DOC TYPE DOC PART REVISION

2065661000 PSD 000 G

MATERIAL NUMBER CUSTOMER SHEET NUMBER

SEE P/N TABLE GENERAL MARKET 2 OF 3

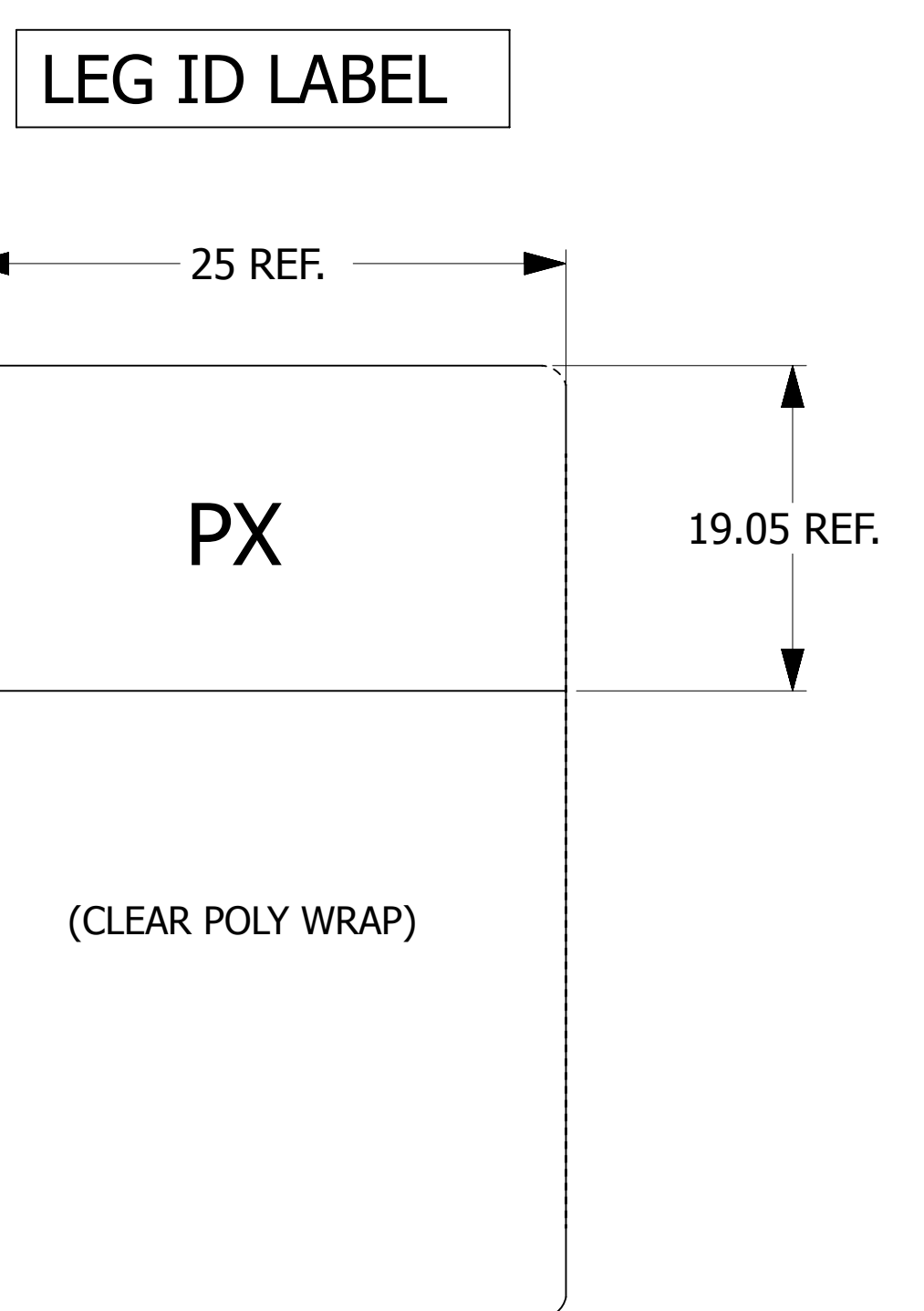


P/N: 206566XXXX - MOLEX PART NUMBER (SEE P/N TABLE)

X.XM - CABLE LENGTH IN METERS (EXAMPLES - 0.5M, 1.0M, 1.5M)

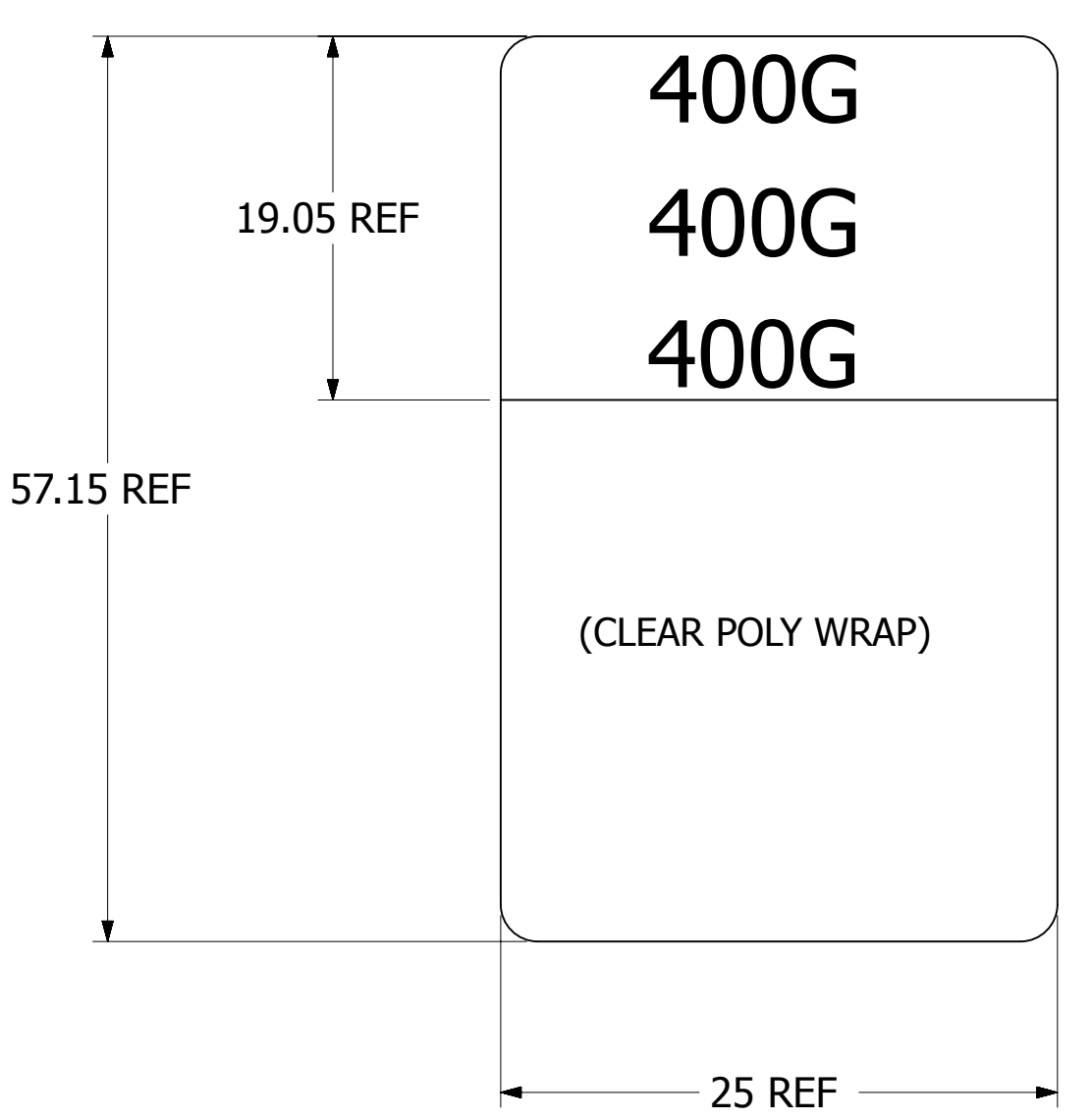
XXAWG - CABLE SIZE IN AWG

S/N: YYDDDLSSSS - SERIAL NUMBER  
 YY = YEAR, THE LAST 2 DIGITS OF YEAR  
 DDD = DAY OF THE YEAR  
 L = LOCATION  
 1 - USA  
 2 - MEXICO  
 3 - CHINA  
 4 - PHILIPPINES  
 SSSS = SERIAL NUMBER (0001-9999)

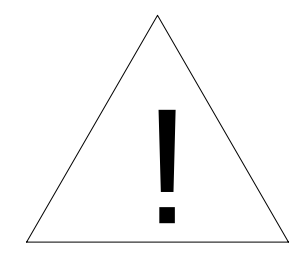


PX: P2 - P5

**SPEED LABEL**



MOLEX P/N	LENGTH (M)	AWG
2065661005	0.5M +/- 0.05M	30
2065661010	1.0M +/- 0.05M	30
2065661015	1.5M +/- 0.08M	30
2065663005	0.5M +/- 0.05M	28
2065663010	1.0M +/- 0.05M	28
2065663015	1.5M +/- 0.08M	28
2065663020	2.0M +/- 0.08M	28
2065663025	2.5M +/- 0.08M	28
2065663030	3.0M +/- 0.08M	26



**TENTATIVE PROPOSAL  
 PENDING ELECTRICAL QUALIFICATION**

<b>SYMBOLS</b> = 0 = 0 = 0 = 0 = 0 = 0 = 0 = 0 = 0	THIS DRAWING CONTAINS INFORMATION THAT IS PROPRIETARY TO MOLEX ELECTRONIC TECHNOLOGIES, LLC AND SHOULD NOT BE USED WITHOUT WRITTEN PERMISSION		CURRENT REV DESC: ADDED SPEED LABEL		 QSFP-DD TO (4) ZQSFP+ 56G CABLE ASY PRODUCT CUSTOMER DRAWING
	mm	SCALE 1:1	EC NO: 623041		
	GENERAL TOLERANCES (UNLESS SPECIFIED)		DRWN: JJACKSON02	2019/08/23	
	ANGULAR TOL ± 5.0°		CHK'D: JREEVES	2019/08/23	
4 PLACES ±		APPR: MGARRISON	2019/08/26	DOCUMENT NUMBER	
3 PLACES ±		INITIAL REVISION:		2065661000	
2 PLACES ± 0.13		DRWN: GWATERWORTH		DOC TYPE	DOC PART
1 PLACE ± 0.25		2017/12/07		PSD	000
0 PLACES ±		2017/12/14		REVISION	G
DRAFT WHERE APPLICABLE MUST REMAIN WITHIN DIMENSIONS		THIRD ANGLE PROJECTION	DRAWING	SHEET NUMBER	
			D-SIZE	3 OF 3	
			SERIES	MATERIAL NUMBER	
			206566	SEE P/N TABLE	
				CUSTOMER	
				GENERAL MARKET	