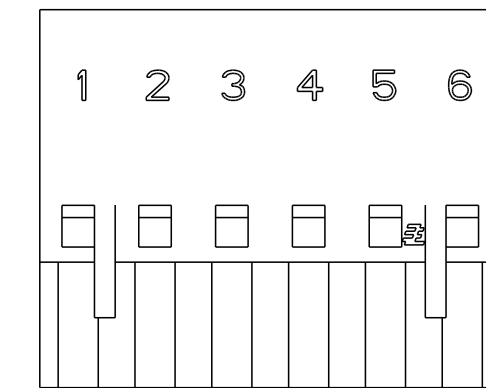
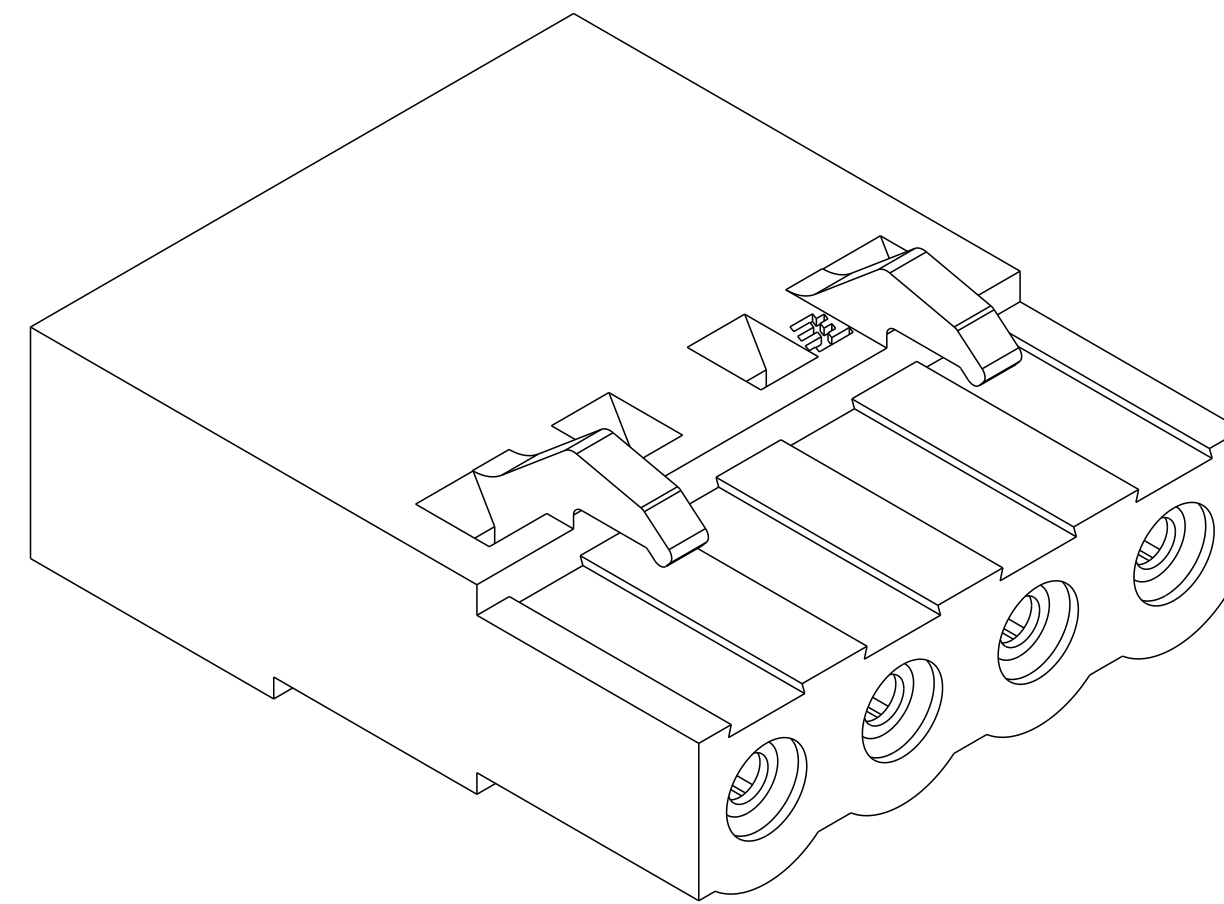
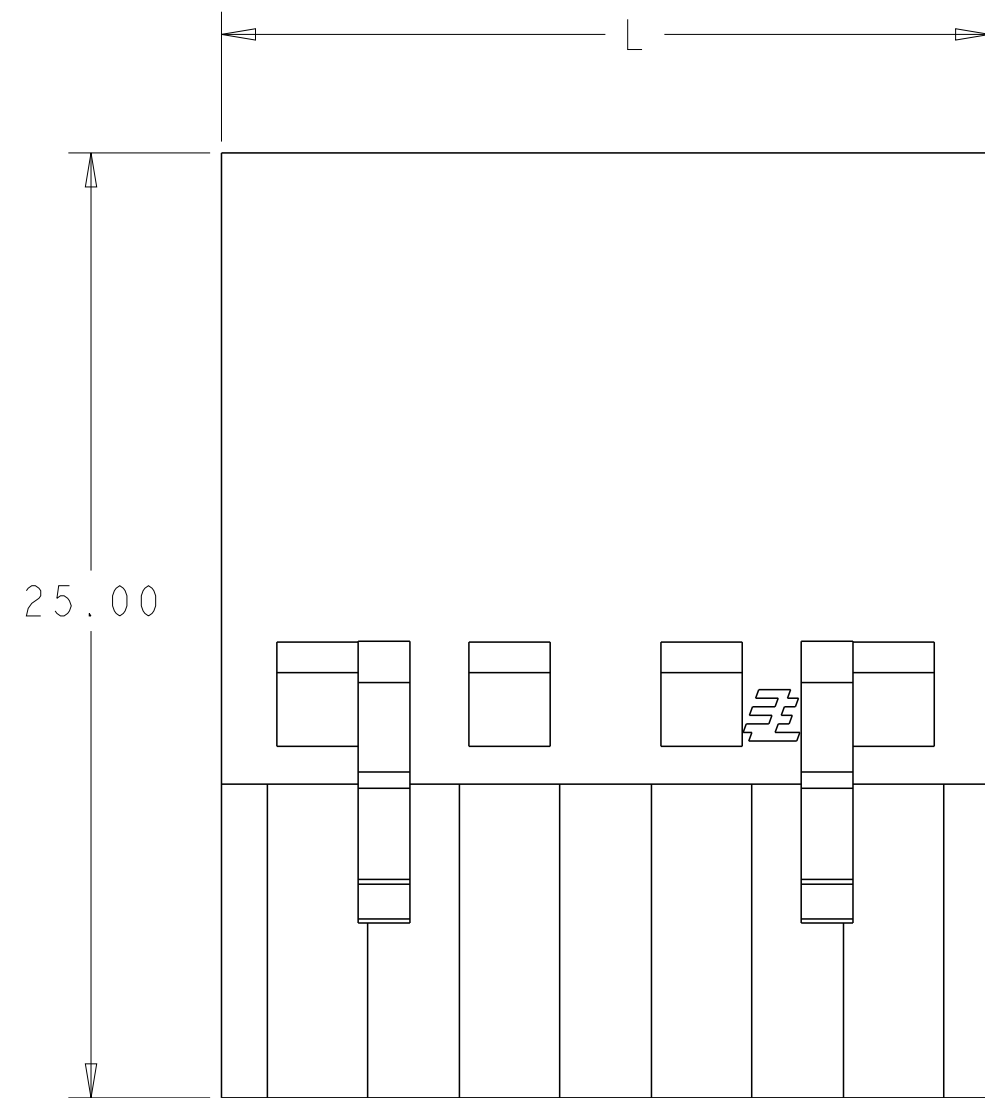
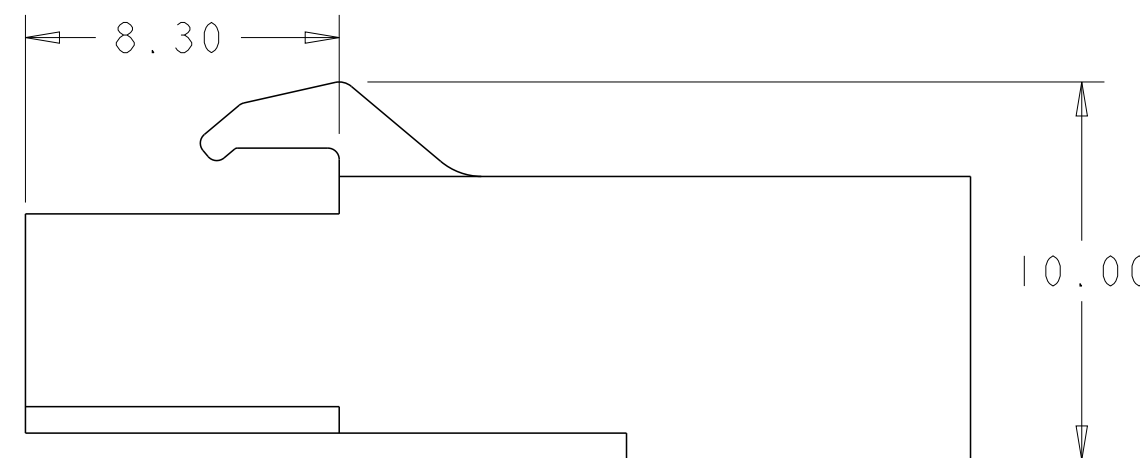
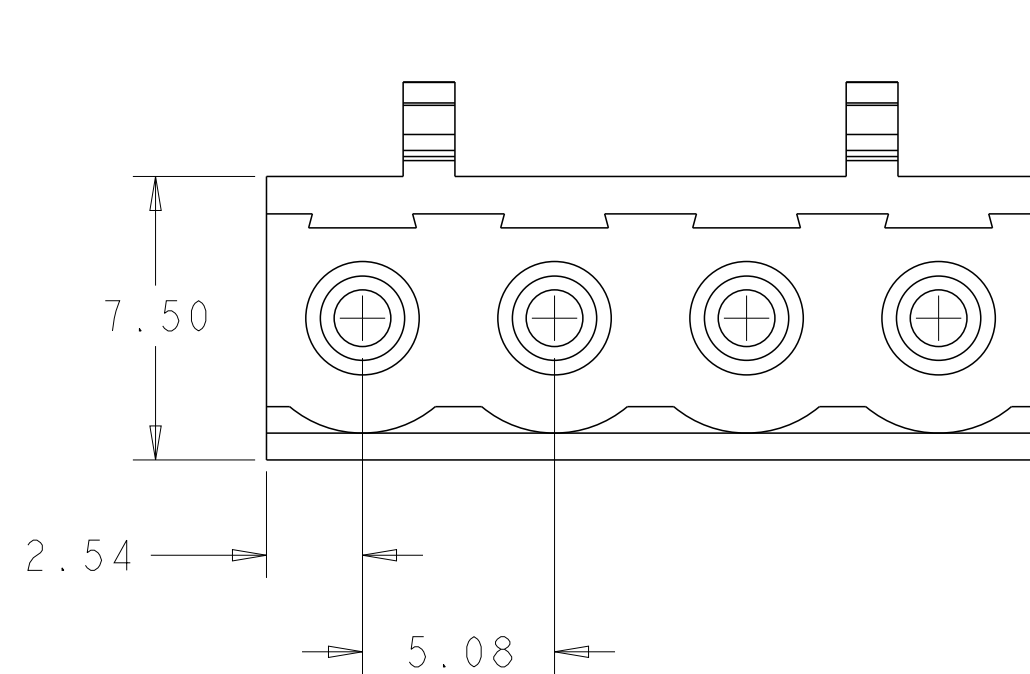


REVISIONS					
P	LTR	DESCRIPTION	DATE	DWN	APVD
A5		PART STATUS UPDATED	05OCT2021	GMN	SS
A6		NATURAL COLOUR NEW PARTS ADDED	10MAY2022	SS	PS



DETAIL C \triangle 4

THIS PRODUCT HAS NOT COMPLETED VALIDATION TESTING



\triangle 4 \triangle 5 SEE DETAIL C OBSOLETE

NATURAL	30.48	6	3-1986160-6
NATURAL	25.4	5	3-1986160-5
NATURAL	20.32	4	3-1986160-4
NATURAL	15.24	3	3-1986160-3
NATURAL	10.16	2	3-1986160-2
GREEN	30.48	6	2-1986160-6
GRAY	30.48	6	1-1986160-6
GRAY	25.4	5	1-1986160-5
GRAY	20.32	4	1-1986160-4
GRAY	15.24	3	1-1986160-3
GRAY	10.16	2	1-1986160-2
GREEN	30.48	6	1986160-6
GREEN	25.4	5	1986160-5
GREEN	20.32	4	1986160-4
GREEN	15.24	3	1986160-3
GREEN	10.16	2	1986160-2
HOUSING COLOR	L	NO OF POSN	PART NUMBER

- MATERIAL:
HOUSING - POLYESTER, UL 94V-0 RATED, COLOR: SEE TABLE.
- RECOMMENDED CRIMP STYLE CONTACTS, (965899 AND 965901) TO BE USED WITH THIS HOUSING.
- CONNECTOR MATES WITH 5.08mm OPEN AND CLOSED END INDUSTRY STANDARD HEADERS.

\triangle 4 PART TO BE MARKED WITH BLACK PERMANENT MARKING SEE DETAIL C, LETTER TO BE 3.8 MM IN HEIGHT

\triangle 5 PRELIMINARY

DIMENSIONS:		TOLERANCES UNLESS OTHERWISE SPECIFIED:		APVD		NAME	
mm	0 PLC	±		S. WELDON	19MAR2007	TE Connectivity	
	1 PLC	±0.5		C. RICHARD	19MAR2007	PLUG HOUSING, TERMINAL BLOCK, CRIMP STYLE, 5.08mm PITCH	
	2 PLC	±0.13		C. RICHARD	19MAR2007	SIZE	CAGE CODE
	3 PLC	±0.000				A2	00779
	4 PLC	±0.000				DRAWING NO	C-1986160
	ANGLES	±				RESTRICTED TO	
	FINISH					SCALE	5:1
MATERIAL						SHEET	1 OF 1
						REV	A6