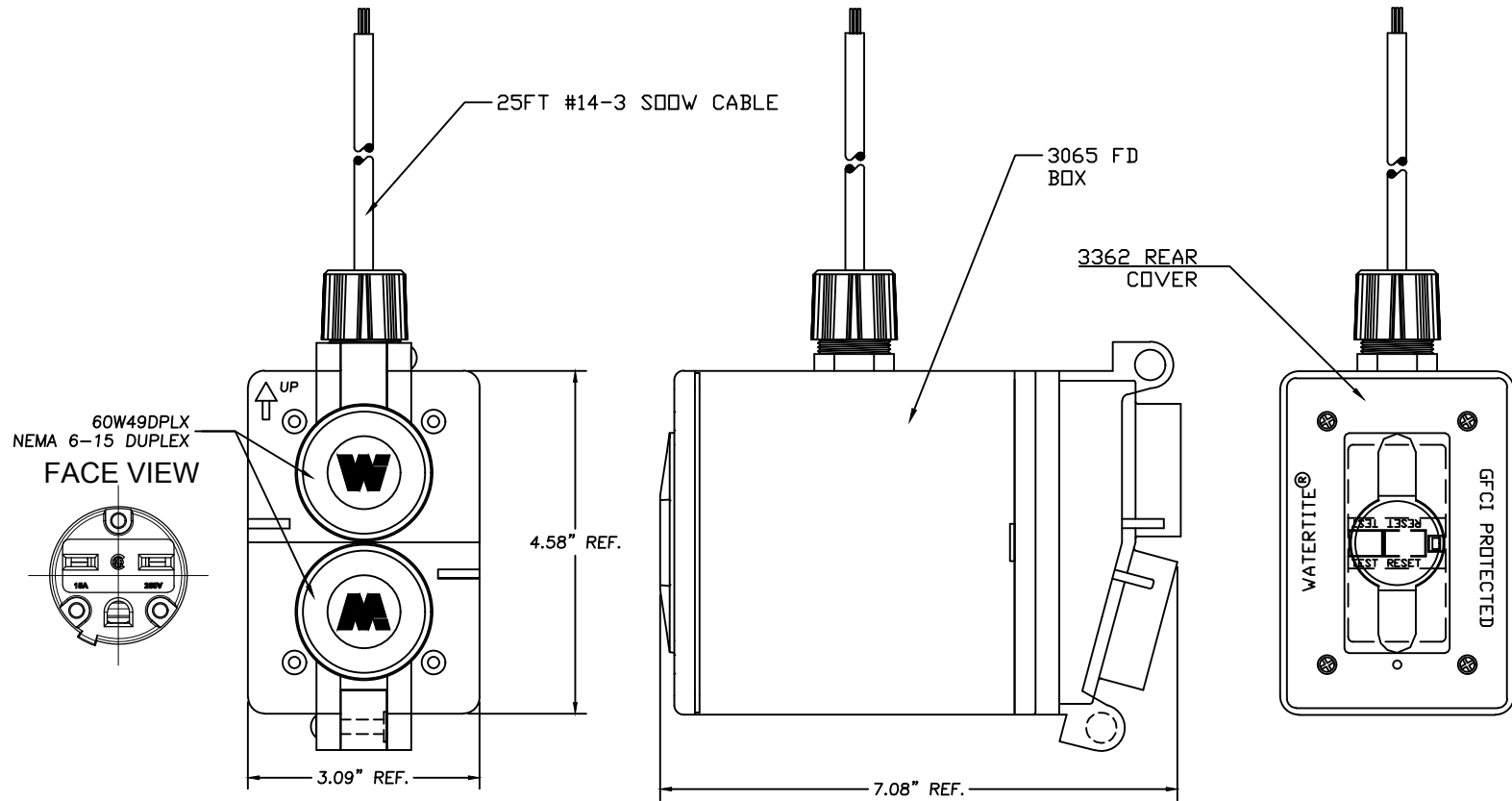


6 5 4 3 2 1

D

D



C

C

B

B

<b>SYMBOLS</b> ▽ = 0 ▽ = 0 ▽ = 0 ▽ = 0 ▽ = 0 ▽ = 0 ▽ = 0 ▽ = 0 ▽ = 0 ▽ = 0 ▽ = 0	THIS DRAWING CONTAINS INFORMATION THAT IS PROPRIETARY TO MOLEX ELECTRONIC TECHNOLOGIES, LLC AND SHOULD NOT BE USED WITHOUT WRITTEN PERMISSION				CURRENT REV DESC: RELEASE CUSTOMER DRAWING			
	DIMENSION UNITS <b>INCH</b>		SCALE <b>NTS</b>		<b>molex</b>  3065 W/60W49DPLX, 25FT. #14-3SOOW & 3362  ---			
	GENERAL TOLERANCES (UNLESS SPECIFIED)							
			mm	INCH	EC NO: 630342 DRWN: HKNEELAND 2020/01/08 CHK'D: VOU 2020/01/13 APPR: JFMURPHY 2020/01/21			
	4 PLACES		±0.5555	±----	PRODUCT CUSTOMER DRAWING			
	3 PLACES		±0.4441	±----	DOCUMENT NUMBER <b>1301370399</b>			
	2 PLACES		±0.331	±0.01	DOC TYPE DOC PART REVISION PSD 000 A			
	1 PLACE		±0.21	±0.02	INITIAL REVISION: DRWN: HKNEELAND 2020/01/08 APPR: JFMURPHY 2020/01/21			
	0 PLACES		±2.1	±----	MATERIAL NUMBER 1301370399			
	ANGULAR TOL ± ---- °				THIRD ANGLE PROJECTION 		DRAWING <b>A-SIZE</b>	
DRAFT WHERE APPLICABLE MUST REMAIN WITHIN DIMENSIONS				SERIES <b>130137</b>		CUSTOMER ----		
				SHEET NUMBER <b>1 OF 1</b>				

A

A

DOCUMENT STATUS	P1	RELEASE DATE	2020/01/21	22:50:46
-----------------	----	--------------	------------	----------

6 5 4 3 2 1

FORMAT: IN:ACAD-ib-prod-A  
 REVISION: A1  
 DATE: 2019/05/12