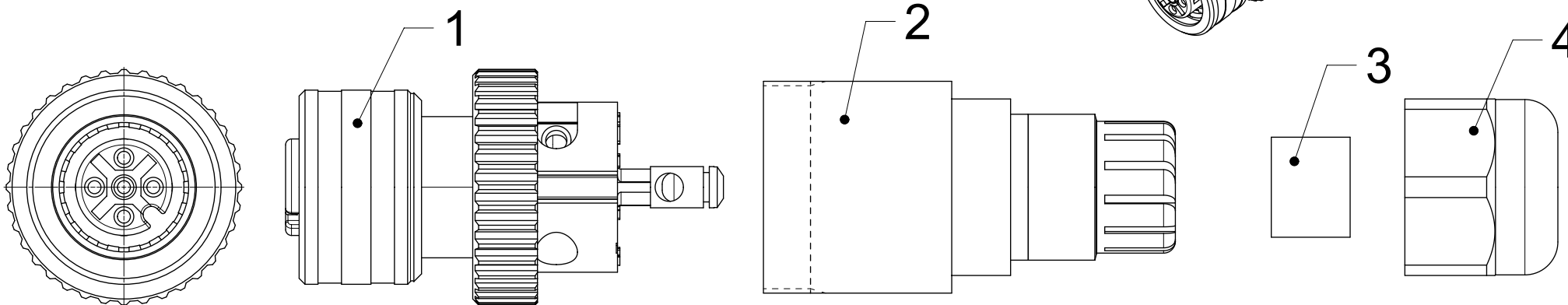


VOLTAGE RATING: 30VAC / 36VDC
 AMPERAGE RATING: 4A
 PROTECTION CLASS: IP 67/68/69K
 OPERATING TEMPERATURE: -25°C / 90°C
 UL CERTIFICATION: FILE NO. E152210
 CSA CERTIFICATION: FILE NO. LR6837



BOM

ITEM	QTY.	DESCRIPTION	MATERIAL	FINISH / COLOR
4	1	HUT NUT M12 PA6 FA PG7 BK	PA6	BLACK
3	1	M12FA STP-Schl.ring PG7 gr	-	GREY
2	1	ENDSLEEVE M12 STR PG7 FA	ULTRAMID	BLACK
1	1	M12U-FA-Fem-5P-A-Code PA	-	-

TABLE 1

MOLEX PN	ENGINEERING No
1200855001	WA5000-31L

DOCUMENT STATUS	P1	RELEASE DATE	2018/11/13	14:37:13

SYMBOLS										THIS DRAWING CONTAINS INFORMATION THAT IS PROPRIETARY TO MOLEX ELECTRONIC TECHNOLOGIES, LLC AND SHOULD NOT BE USED WITHOUT WRITTEN PERMISSION									
DIMENSION UNITS		SCALE		CURRENT REV DESC:															
mm		2:1		EC NO: 607539															
GENERAL TOLERANCES (UNLESS SPECIFIED)				DRWN: AKONDRACIUK 2018/11/13															
ANGULAR TOL ± °				CHK'D: DSTACHOWIAK 2018/11/13															
4 PLACES ±				APPR: DSTACHOWIAK 2018/11/13															
3 PLACES ±				INITIAL REVISION:															
2 PLACES ±				DRWN: AKONDRACIUK 2018/11/13															
1 PLACE ±				APPR: DSTACHOWIAK 2018/11/13															
0 PLACES ±				DRAFT WHERE APPLICABLE MUST REMAIN WITHIN DIMENSIONS															
THIRD ANGLE PROJECTION				DRAWING		SERIES		DOCUMENT NUMBER		DOC TYPE		DOC PART		REVISION					
				A4-SIZE		120085		1200855001		PSD		000		A					
								1200855001		GENERAL MARKET		1 OF 1							

molex

M12U-FA-5F-FEM-A-STR-PG7-ENG

PRODUCT CUSTOMER DRAWING