



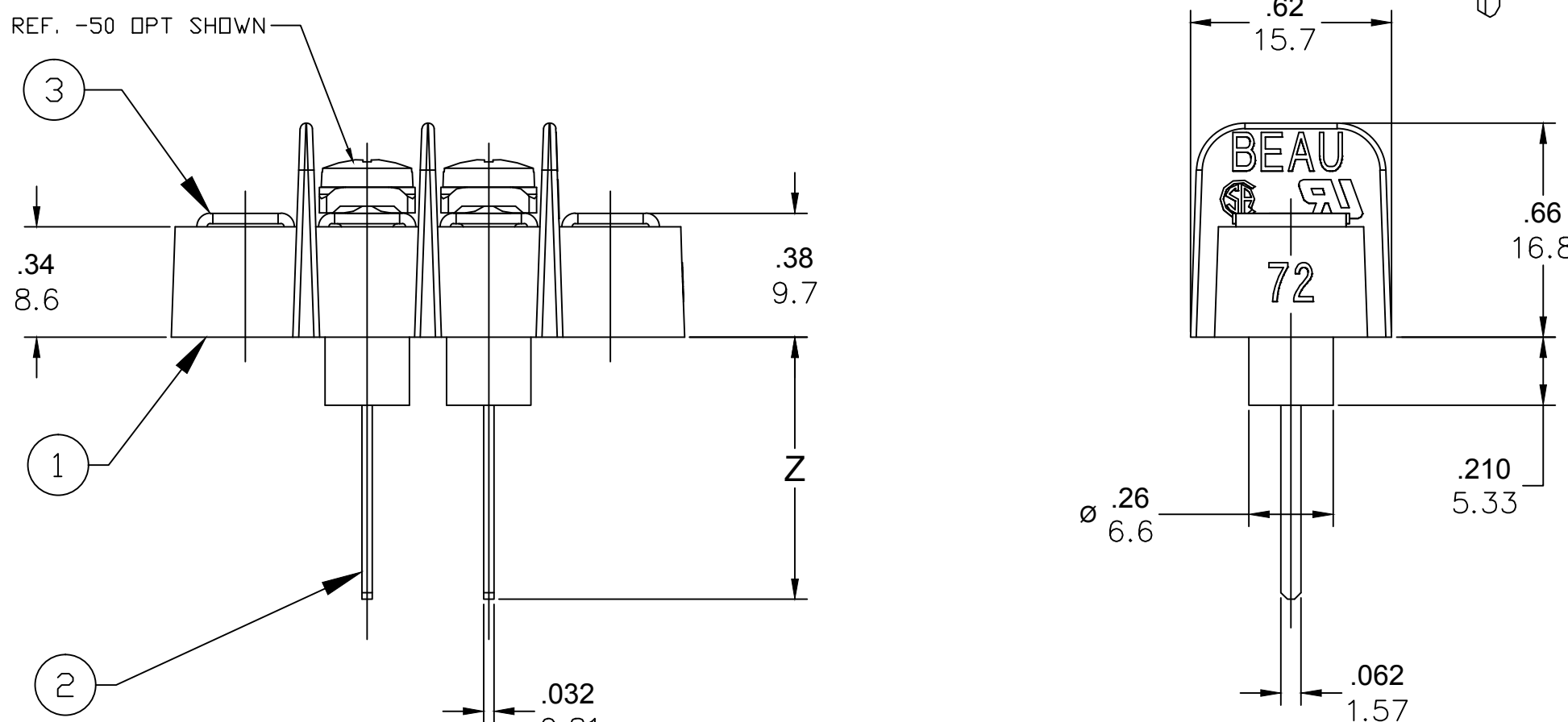
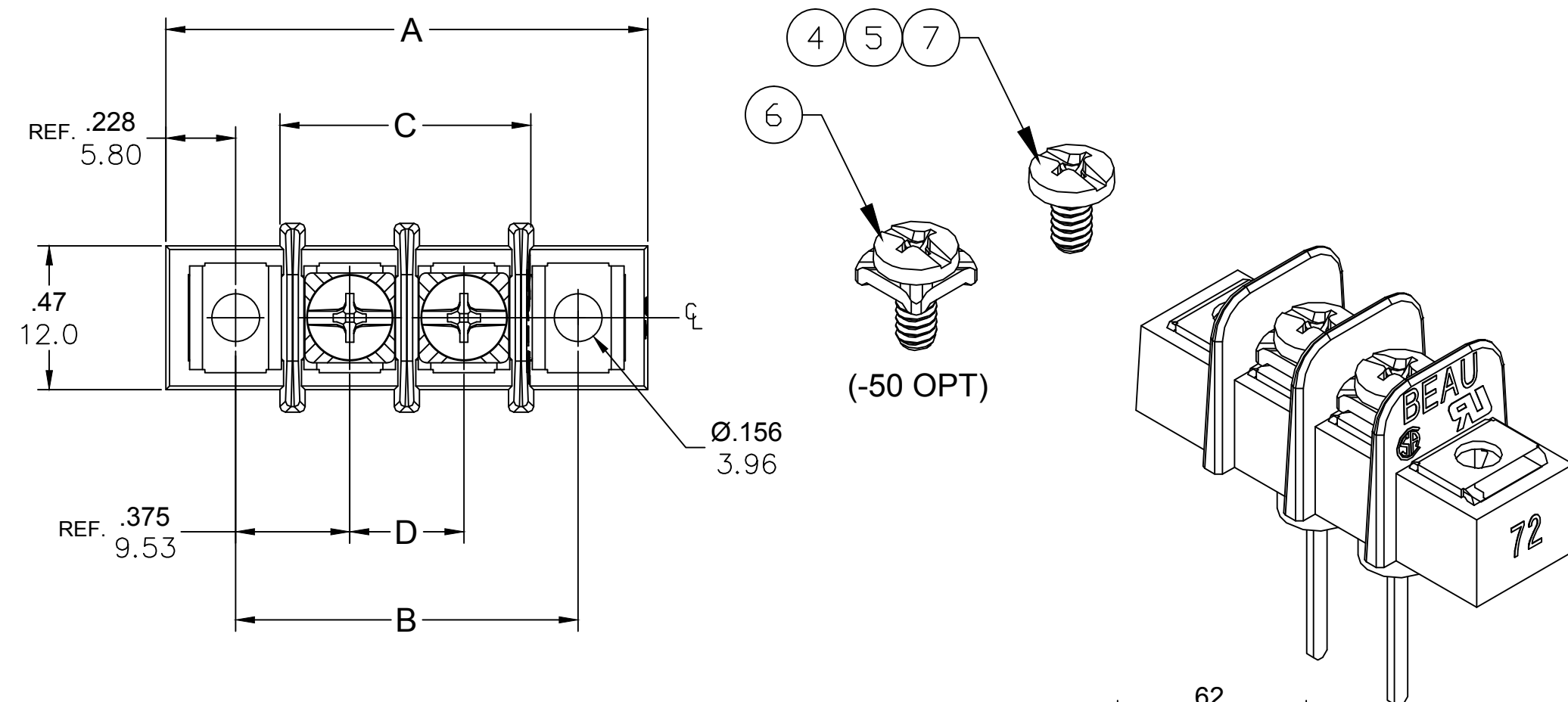
| QTY CKTS | DIM "A" | | DIM "B" | | DIM "C" | | DIM "D" | | MATERIAL # | MATERIAL # | MATERIAL # | MATERIAL # |
|-------------|---------|-------|---------|--------|---------|------|---------|-------|------------|------------|------------|------------|
| | MM | INCH | MM | INCH | MM | INCH | MM | INCH | STD. OPT. | -49 OPT. | -50 OPT. | -56 OPT. |
| 2 | 40.3 | 1.59 | 28.58 | 1.125 | 21.1 | 0.83 | 9.53 | 0.375 | 387204702 | 387205002 | 387205302 | 387290792 |
| 3 | 49.8 | 1.96 | 38.10 | 1.500 | 30.6 | 1.21 | 19.05 | 0.750 | 387204703 | 387205003 | 387205303 | -- |
| 4 | 59.3 | 2.34 | 47.63 | 1.875 | 40.2 | 1.58 | 28.58 | 1.125 | 387204704 | 387205004 | 387205304 | -- |
| 5 | 68.8 | 2.71 | 57.15 | 2.250 | 49.7 | 1.96 | 38.10 | 1.500 | 387204705 | 387205005 | 387205305 | 387290295 |
| 6 | 78.4 | 3.09 | 66.66 | 2.625 | 59.2 | 2.33 | 47.63 | 1.875 | 387204706 | 387205006 | 387205306 | 387290984 |
| 7 | 87.9 | 3.46 | 76.20 | 3.000 | 68.8 | 2.71 | 57.15 | 2.250 | 387204707 | 387205007 | 387205307 | -- |
| 8 | 97.4 | 3.84 | 85.73 | 3.375 | 78.3 | 3.08 | 66.66 | 2.625 | 387204708 | 387205008 | 387205308 | 387290490 |
| 9 | 106.9 | 4.21 | 95.25 | 3.750 | 87.8 | 3.46 | 76.20 | 3.000 | 387204709 | 387205009 | 387205309 | -- |
| 10 | 116.5 | 4.59 | 104.78 | 4.125 | 97.3 | 3.83 | 85.73 | 3.375 | 387204710 | 387205010 | 387205310 | -- |
| 11 | 126.0 | 4.96 | 114.30 | 4.500 | 106.9 | 4.21 | 95.25 | 3.750 | 387204711 | 387205011 | 387205311 | 387290876 |
| 12 | 135.5 | 5.34 | 123.83 | 4.875 | 116.4 | 4.58 | 104.78 | 4.125 | 387204712 | 387205012 | 387205312 | 387291384 |
| 13 | 145.0 | 5.71 | 133.35 | 5.250 | 125.9 | 4.96 | 114.30 | 4.500 | 387204713 | 387205013 | 387205313 | -- |
| 14 | 154.6 | 6.09 | 142.88 | 5.625 | 135.5 | 5.33 | 123.83 | 4.875 | 387204714 | 387205014 | 387205314 | -- |
| 15 | 164.1 | 6.46 | 152.40 | 6.000 | 145.0 | 5.71 | 133.35 | 5.250 | 387204715 | 387205015 | 387205315 | -- |
| 16 | 173.6 | 6.84 | 161.93 | 6.375 | 154.5 | 6.08 | 142.88 | 5.625 | 387204716 | 387205016 | 387205316 | -- |
| 17 | 183.1 | 7.21 | 171.45 | 6.750 | 164.1 | 6.46 | 152.40 | 6.000 | 387204717 | 387205017 | 387205317 | -- |
| 18 | 192.7 | 7.59 | 180.98 | 7.125 | 173.6 | 6.83 | 161.93 | 6.375 | 387204718 | 387205018 | 387205318 | -- |
| 19 | 202.2 | 7.96 | 190.50 | 7.500 | 183.1 | 7.21 | 171.45 | 6.750 | 387204719 | 387205019 | 387205319 | -- |
| 20 | 211.7 | 8.34 | 200.03 | 7.875 | 192.6 | 7.58 | 180.98 | 7.125 | 387204720 | 387205020 | 387205320 | -- |
| 21 | 221.2 | 8.71 | 209.55 | 8.250 | 202.2 | 7.96 | 190.50 | 7.500 | 387204721 | 387205021 | 387205321 | -- |
| 22 | 230.8 | 9.09 | 219.08 | 8.625 | 211.7 | 8.33 | 200.03 | 7.875 | 387204722 | 387205022 | 387205322 | -- |
| 23 | 240.3 | 9.46 | 228.60 | 9.000 | 221.2 | 8.71 | 209.55 | 8.250 | 387204723 | 387205023 | 387205323 | -- |
| 24 | 249.8 | 9.84 | 238.13 | 9.375 | 230.8 | 9.08 | 219.08 | 8.625 | 387204724 | 387205024 | 387205324 | -- |
| 25 | 259.3 | 10.21 | 247.65 | 9.750 | 240.3 | 9.46 | 228.60 | 9.000 | 387204725 | 387205025 | 387205325 | -- |
| 26 | 268.9 | 10.59 | 257.18 | 10.125 | 249.8 | 9.83 | 238.13 | 9.375 | 387204726 | 387205026 | 387205326 | -- |

| | | | | | | | |
|---|--|---|---|------------------------------------|--|------------------------|--|
| SEE SHEET ONE EC NO: WNA2011-0086 DRAWN: JENC INAS 2011/03/03 CHKD: JMACNE ILL APPR: JMACNE ILL 2011/05/06 REV DESCRIPTION | QUALITY SYMBOLS | GENERAL TOLERANCES (UNLESS SPECIFIED) | DIMENSION STYLE | SCALE | DESIGN UNITS | THIRD ANGLE PROJECTION | |
| | $\nabla=0$ $\nabla/E=0$ | mm INCH | MM/IN | 2:1 | INCH | | |
| | | 4 PLACES ± --- ± --- 3 PLACES ± --- ± .005 2 PLACES ± 0.13 ± .01 1 PLACE ± 0.3 ± --- | DRAWN BY DATE JENC INAS 2008/04/18 CHECKED BY DATE CYORK 2008/04/21 APPROVED BY DATE JMACNE ILL 2008/04/24 | TITLE | 9.53/.375 SR BTS INS. PC W/MTG ENDS | | |
| | | ANGULAR ± 2 ° | MATERIAL NO. DOCUMENT NO. | MOLEX INCORPORATED SD-38720-011 | | | |
| | DRAFT WHERE APPLICABLE MUST REMAIN WITHIN DIMENSIONS | SIZE B | SHEET NO. 2 OF 2 | | | | |
| | | THIS DRAWING CONTAINS INFORMATION THAT IS PROPRIETARY TO MOLEX INCORPORATED AND SHOULD NOT BE USED WITHOUT WRITTEN PERMISSION | | | | | |

| PART NUMBER DATA | | | | | | | | |
|------------------|-------|-------|--------|--------|------|-------|-------|--------|
| CIRCUITS | A IN | mm | B IN | mm | C IN | mm | D IN | mm |
| 2 | 1.58 | 40.2 | 1.125 | 28.58 | .83 | 21.1 | .375 | 9.52 |
| 3 | 1.96 | 49.7 | 1.500 | 38.10 | 1.21 | 30.7 | .750 | 19.05 |
| 4 | 2.33 | 59.2 | 1.875 | 47.63 | 1.58 | 40.2 | 1.125 | 28.58 |
| 5 | 2.71 | 68.7 | 2.250 | 57.15 | 1.96 | 49.7 | 1.500 | 38.10 |
| 6 | 3.08 | 78.3 | 2.625 | 66.68 | 2.33 | 59.2 | 1.875 | 47.63 |
| 7 | 3.46 | 87.8 | 3.000 | 76.20 | 2.71 | 68.8 | 2.250 | 57.15 |
| 8 | 3.83 | 97.3 | 3.375 | 85.73 | 3.08 | 78.3 | 2.625 | 66.68 |
| 9 | 4.21 | 106.8 | 3.750 | 95.25 | 3.46 | 87.8 | 3.000 | 76.20 |
| 10 | 4.58 | 116.4 | 4.125 | 104.78 | 3.83 | 97.3 | 3.375 | 85.73 |
| 11 | 4.96 | 125.9 | 4.500 | 114.30 | 4.21 | 106.9 | 3.750 | 95.25 |
| 12 | 5.33 | 135.4 | 4.875 | 123.83 | 4.58 | 116.4 | 4.125 | 104.78 |
| 13 | 5.71 | 144.9 | 5.250 | 133.35 | 4.96 | 125.9 | 4.500 | 114.30 |
| 14 | 6.08 | 154.5 | 5.625 | 142.88 | 5.33 | 135.4 | 4.875 | 123.83 |
| 15 | 6.46 | 164.0 | 6.000 | 152.40 | 5.71 | 145.0 | 5.250 | 133.35 |
| 16 | 6.83 | 173.5 | 6.375 | 161.93 | 6.08 | 154.5 | 5.625 | 142.88 |
| 17 | 7.21 | 183.0 | 6.750 | 171.45 | 6.46 | 164.0 | 6.000 | 152.40 |
| 18 | 7.58 | 192.6 | 7.125 | 180.98 | 6.83 | 173.5 | 6.375 | 161.93 |
| 19 | 7.96 | 202.1 | 7.500 | 190.50 | 7.21 | 183.1 | 6.750 | 171.45 |
| 20 | 8.33 | 211.6 | 7.875 | 200.03 | 7.58 | 192.6 | 7.125 | 180.98 |
| 21 | 8.71 | 221.1 | 8.250 | 209.55 | 7.96 | 202.1 | 7.500 | 190.50 |
| 22 | 9.08 | 230.7 | 8.625 | 219.08 | 8.33 | 211.6 | 7.875 | 200.03 |
| 23 | 9.46 | 240.2 | 9.000 | 228.60 | 8.71 | 221.2 | 8.250 | 209.55 |
| 24 | 9.83 | 249.7 | 9.375 | 238.13 | 9.08 | 230.7 | 8.625 | 219.08 |
| 25 | 10.21 | 259.2 | 9.750 | 247.65 | 9.46 | 240.2 | 9.000 | 228.60 |
| 26 | 10.58 | 268.8 | 10.125 | 257.18 | 9.83 | 249.7 | 9.375 | 238.13 |

- NOTES:
- MATERIAL: SEE TABLE
 - FINISH: SEE TABLE
 - ELECTRICAL SPECS:
MAX VOLTAGE: 300V
MAX CURRENT: 15A (6-32 BINDING HD SCREW STD, -49 & -56 OPT)
MAX CURRENT: 25A (6-32 WIRE CLAMP SCREW -50 OPT)
 - WIRE RANGE: 22 TO 14 AWG FOR STD, -49 & -56 OPT
WIRE RANGE: 22 TO 12 AWG FOR STD, -50 OPT
 - SCREW TIGHTENING TORQUE: 12 IN LBS.
 - WIRE STRIP: 5/16 (8mm)
 - OPERATING TEMP: 110°F
 - PRODUCT SPEC: PS-38710-001
 - PART IS RoHS COMPLIANT
 - XX EQUALS NUMBER OF CIRCUITS

| | | | | |
|------|-----|------------------------------|-----------|---------------|
| 7 | XX | SCREW (-56 OPT) | ST. STEEL | PASSIVATED |
| 6 | XX | SCREW/CLAMP WASHER (-50 OPT) | STEEL | ZINC PLATED |
| 5 | XX | SCREW (-49 OPT) | BRASS | NICKEL PLATED |
| 4 | XX | SCREW (STD OPT) | STEEL | ZINC PLATED |
| 3 | 2 | MOUNTING PLATE | BRASS | NICKEL PLATED |
| 2 | XX | TERMINAL, WIRE WRAP | BRASS | TIN PLATED |
| 1 | 1 | BARRIER STRIP, INSULATED | PBT | BLACK |
| ITEM | QTY | DESCRIPTION | MATERIAL | FINISH |



ENGINEERING NUMBER LEGEND

72 3 XX-Y-Z

SERIES — 72
 TERMINAL STYLE — 3
 NO. OF CIRCUITS — XX
 Y — BLANK: .47 STD TAIL LENGTH
 —55: .54 TAIL LENGTH
 —75: .75 TAIL LENGTH
 —81: .81 TAIL LENGTH
 Z — SCREW TYPE
 BLANK: STD STEEL
 -49: BRASS NI PLATE
 -50: SCREW W/CLAMP WASHER
 -56: ST. STEEL SCREW

| | | | | | | |
|---|----------------------------|--|-----------------|---|----------------------------------|------------------------|
| RELEASED EC NO: ICG2016-0185 DRWN: RSTONE 2015/08/03 CHKD: B ARDEN APPR: BRUPERT 2015/08/12 | QUALITY SYMBOL | GENERAL TOLERANCES (UNLESS SPECIFIED) | DIMENSION STYLE | SCALE | DESIGN UNITS | THIRD ANGLE PROJECTION |
| | $\nabla=0$ $\nabla C=0$ | mm INCH 4 PLACES ±--- ±--- 3 PLACES ±--- ±.005 2 PLACES ±0.13 ±.01 1 PLACE ±0.3 ±--- | IN/MM | --- | INCH | |
| | | ANGULAR ±1° | DRAWN BY | DATE | TITLE | |
| | | DRAFT WHERE APPLICABLE MUST REMAIN WITHIN DIMENSIONS | RSTONE | 2015/08/03 | BARRIER TERMINAL STRIP WIRE WRAP | |
| | | | CHECKED BY | DATE | --- | |
| | | | B ARDEN | --- | --- | |
| | | | APPROVED BY | DATE | --- | |
| | | | BRUPERT | 2015/08/12 | --- | |
| | | | MATERIAL NO. | --- | --- | |
| | | | SIZE | THIS DRAWING CONTAINS INFORMATION THAT IS PROPRIETARY TO MOLEX INCORPORATED AND SHOULD NOT BE USED WITHOUT WRITTEN PERMISSION | | |
| | | | C | | | |
| | | | | MOLEX | DOCUMENT NO. | SHEET NO. |
| | | | | | SD-38729-078 | 1 OF 1 |