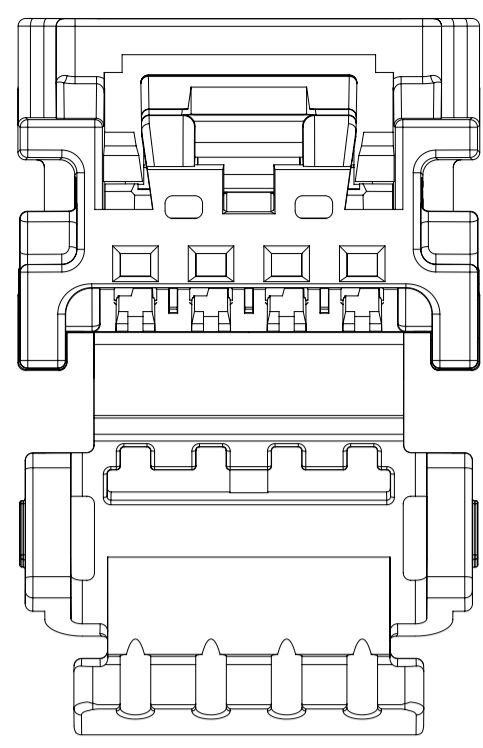
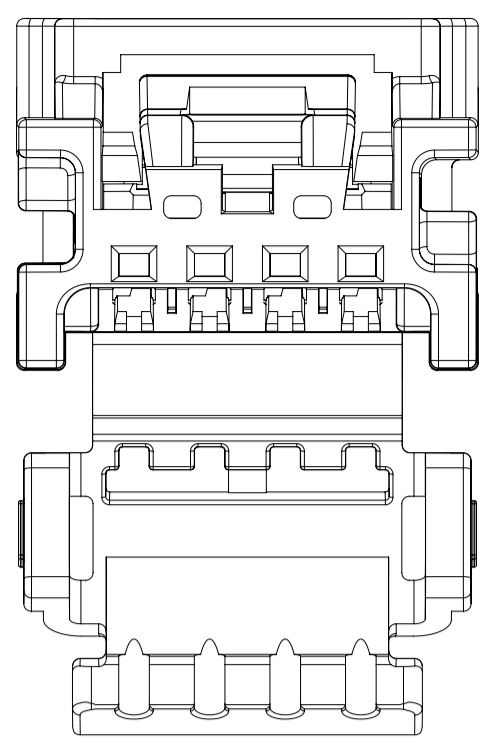


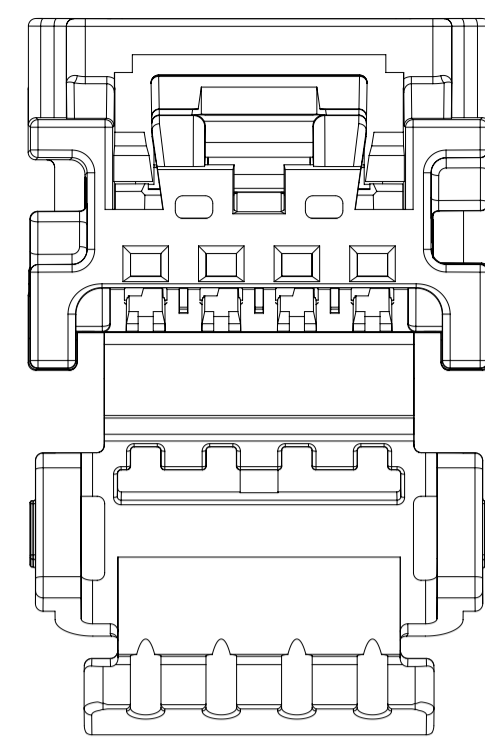
4 CKT BRIDGED RECEPTACLE W/CPA
POLARIZATION OPTION A



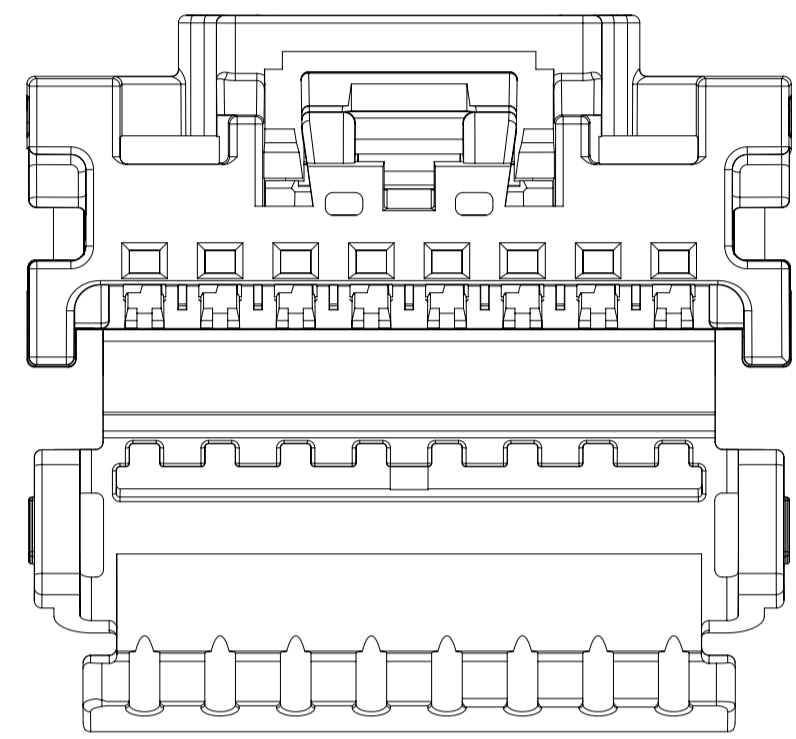
4 CKT BRIDGED RECEPTACLE W/CPA
POLARIZATION OPTION B



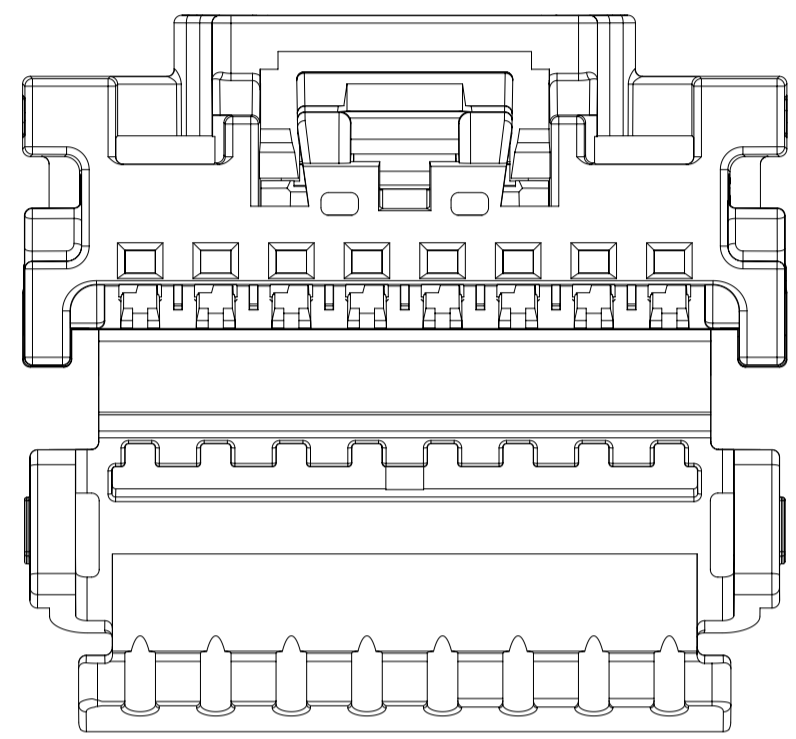
4 CKT BRIDGED RECEPTACLE W/CPA
POLARIZATION OPTION C



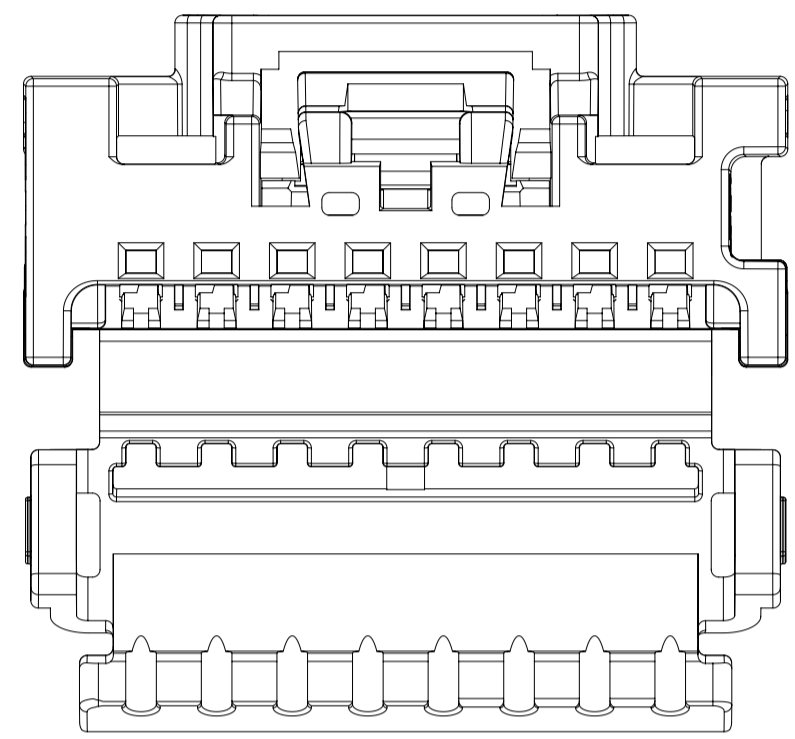
4 CKT BRIDGED RECEPTACLE W/CPA
POLARIZATION OPTION D



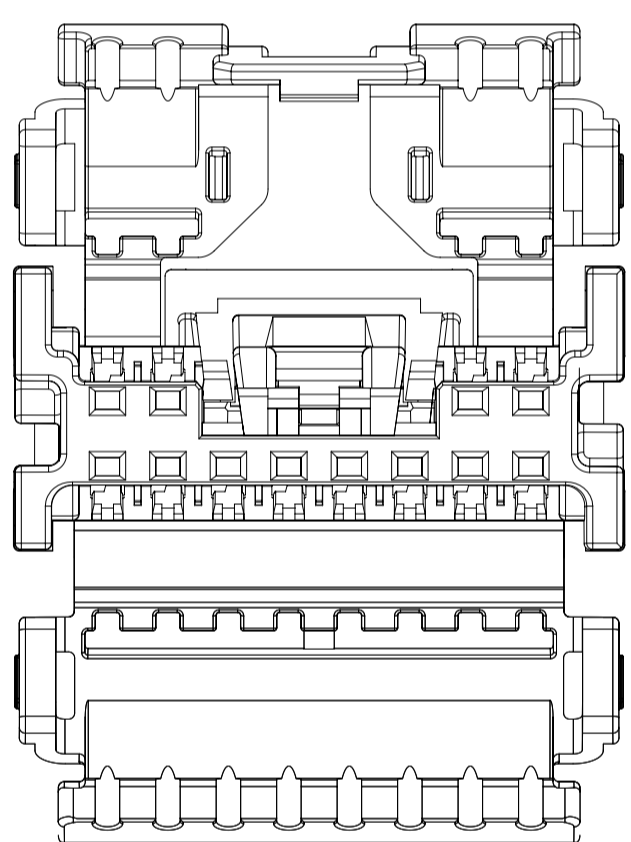
8 CKT BRIDGED RECEPTACLE W/CPA
POLARIZATION OPTION A



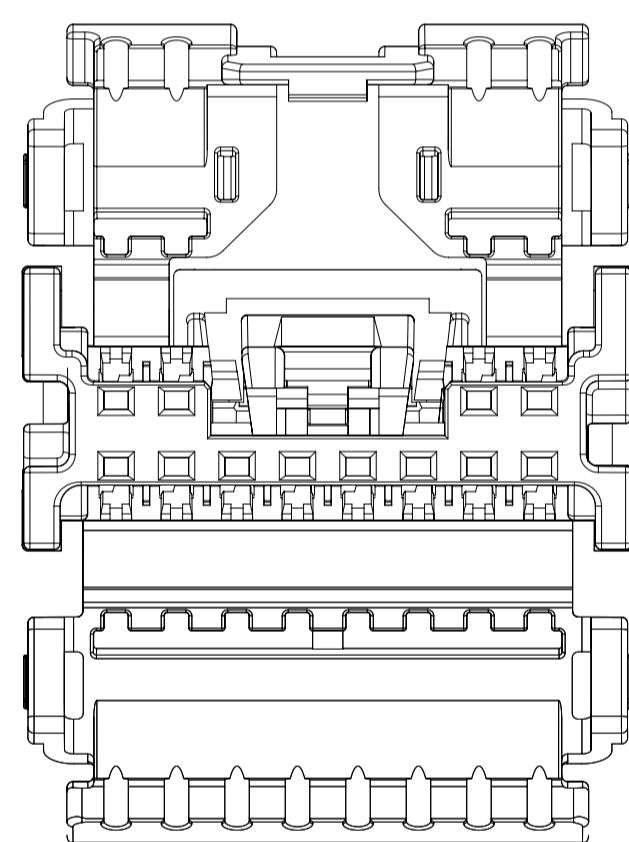
8 CKT BRIDGED RECEPTACLE W/CPA
POLARIZATION OPTION B



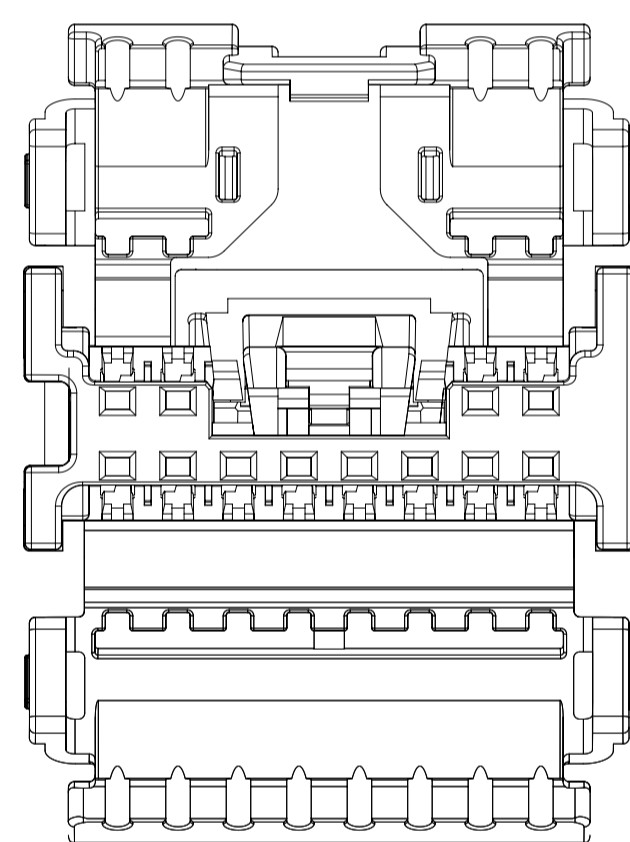
8 CKT BRIDGED RECEPTACLE W/CPA
POLARIZATION OPTION C



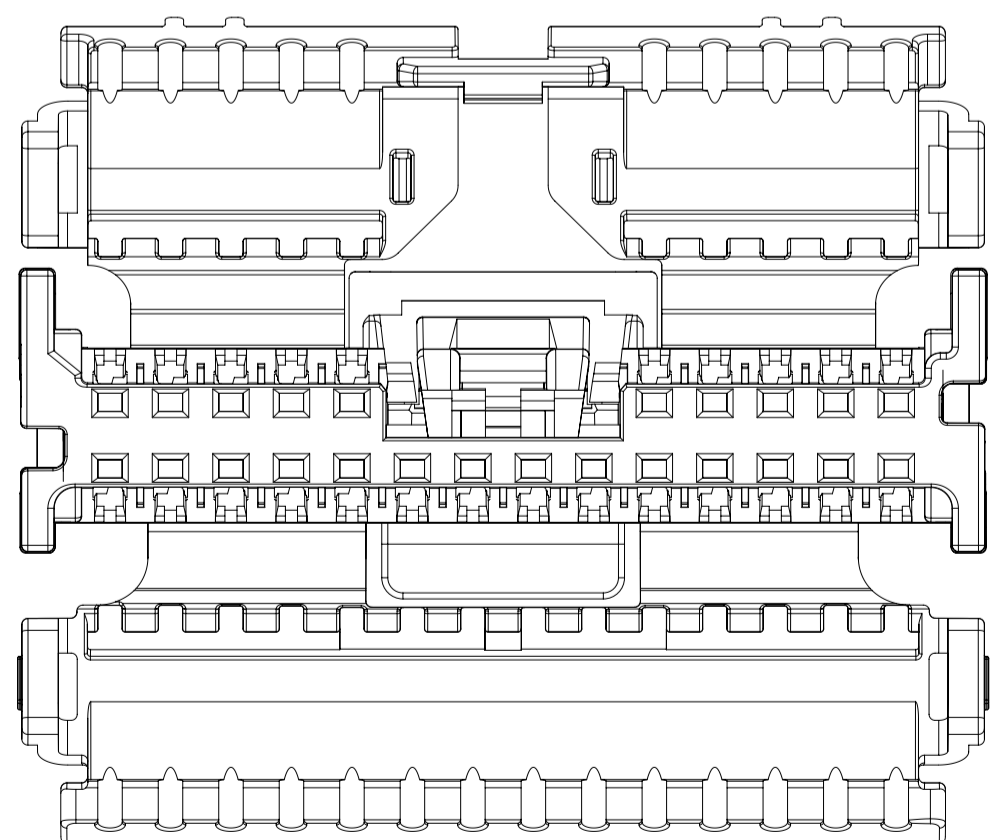
12 CKT BRIDGED RECEPTACLE W/CPA
POLARIZATION OPTION A



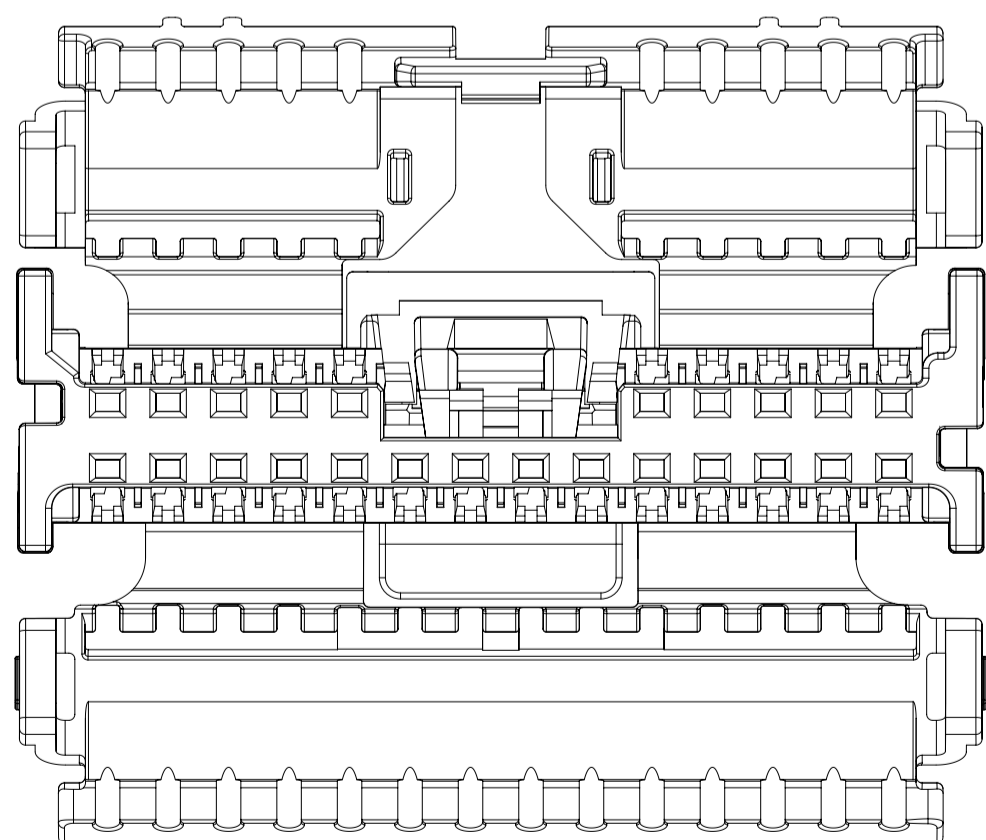
12 CKT BRIDGED RECEPTACLE W/CPA
POLARIZATION OPTION B



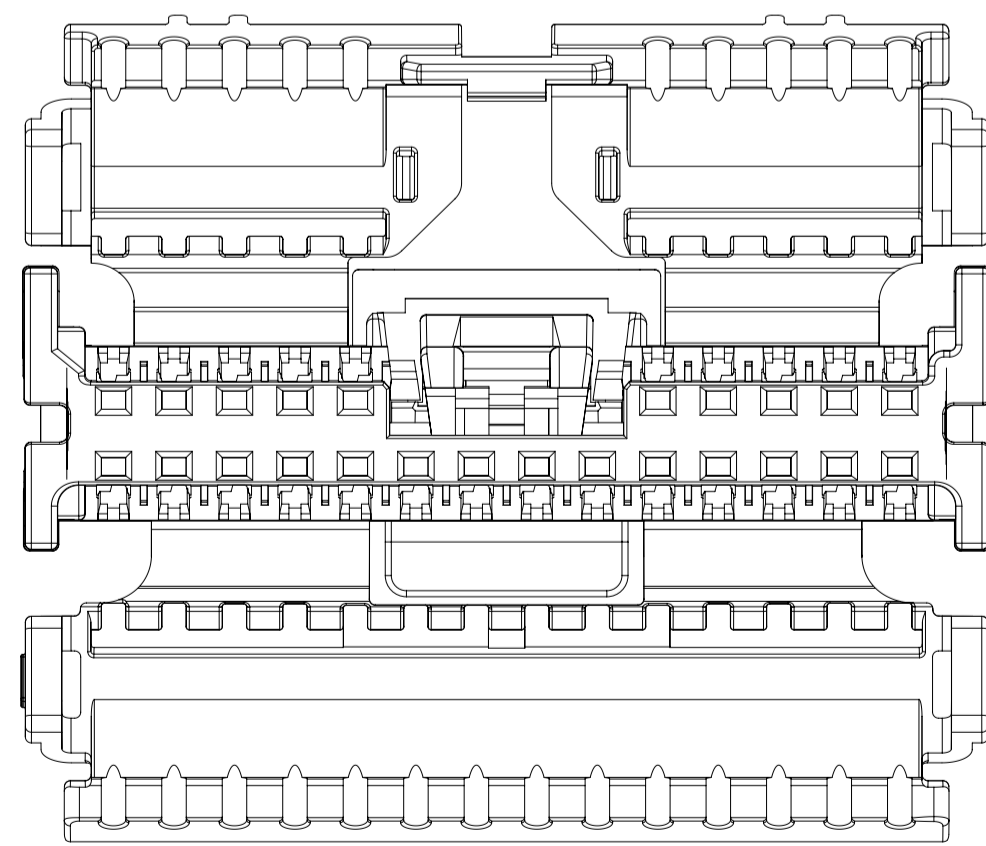
12 CKT BRIDGED RECEPTACLE W/CPA
POLARIZATION OPTION C



24 CKT BRIDGED RECEPTACLE W/CPA
POLARIZATION OPTION A



24 CKT BRIDGED RECEPTACLE W/CPA
POLARIZATION OPTION B



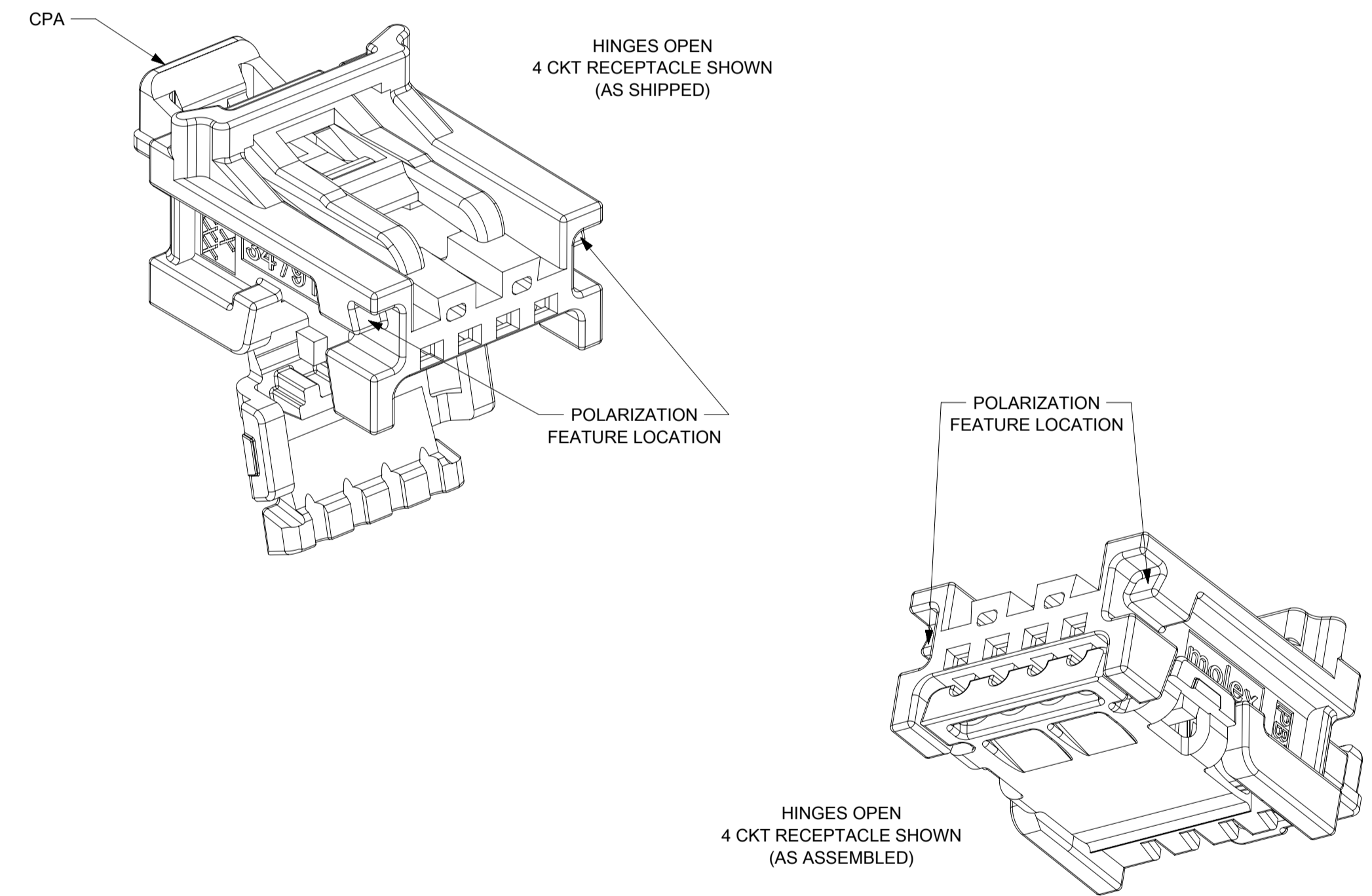
24 CKT BRIDGED RECEPTACLE W/CPA
POLARIZATION OPTION C

24CKT POLARIZATIONS SHOWN ARE REPRESENTATIVE FOR 16 AND 20CKT

INSPECTION BALLOON NUMBER
PER DRAWING REVISION: M2
LAST BALLOON USED: 21
ADDED BALLOON NUMBERS:
REMOVED BALLOON NUMBERS: 22-33

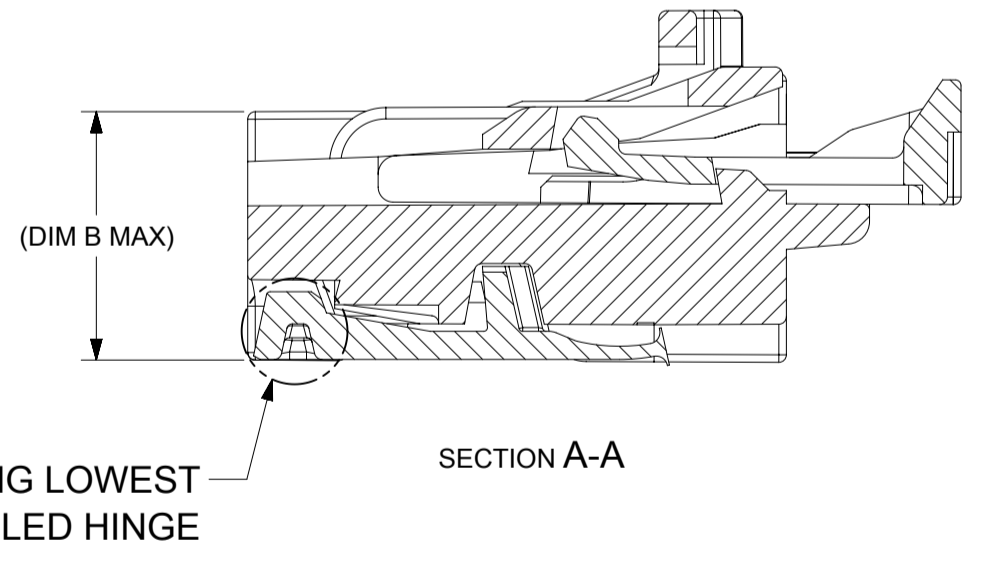
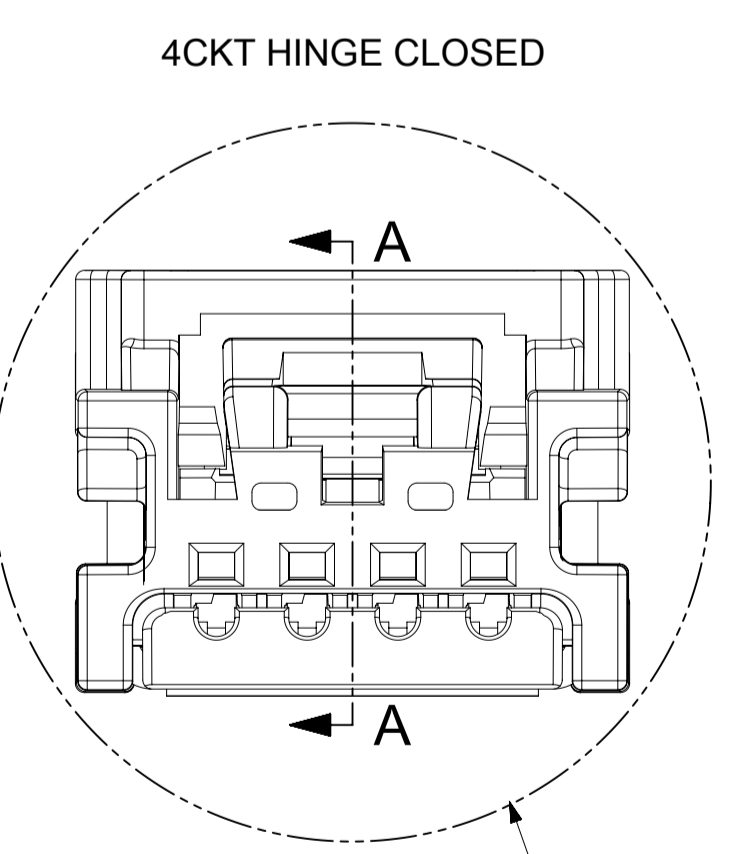
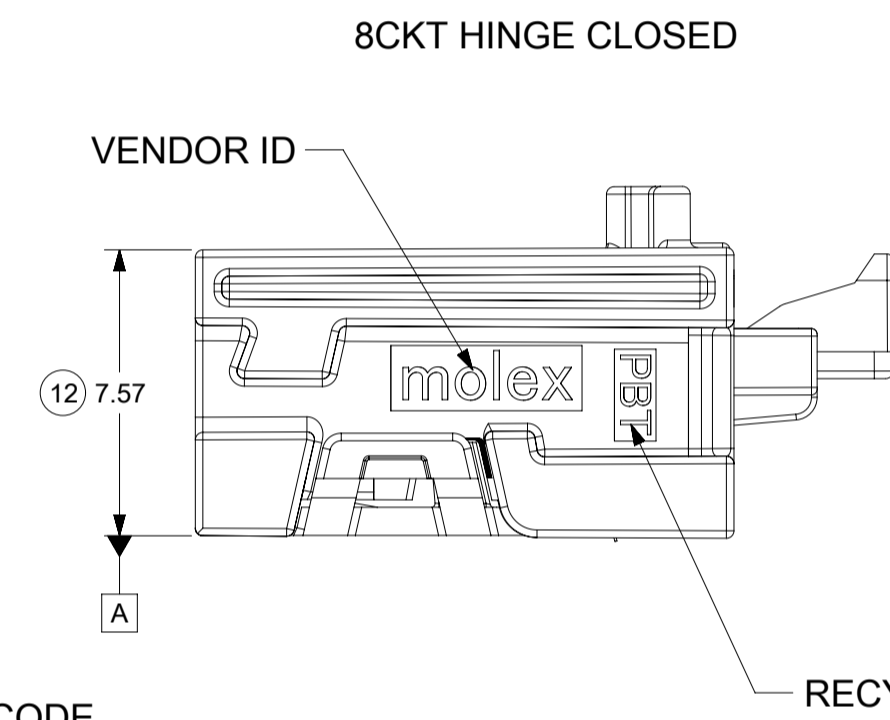
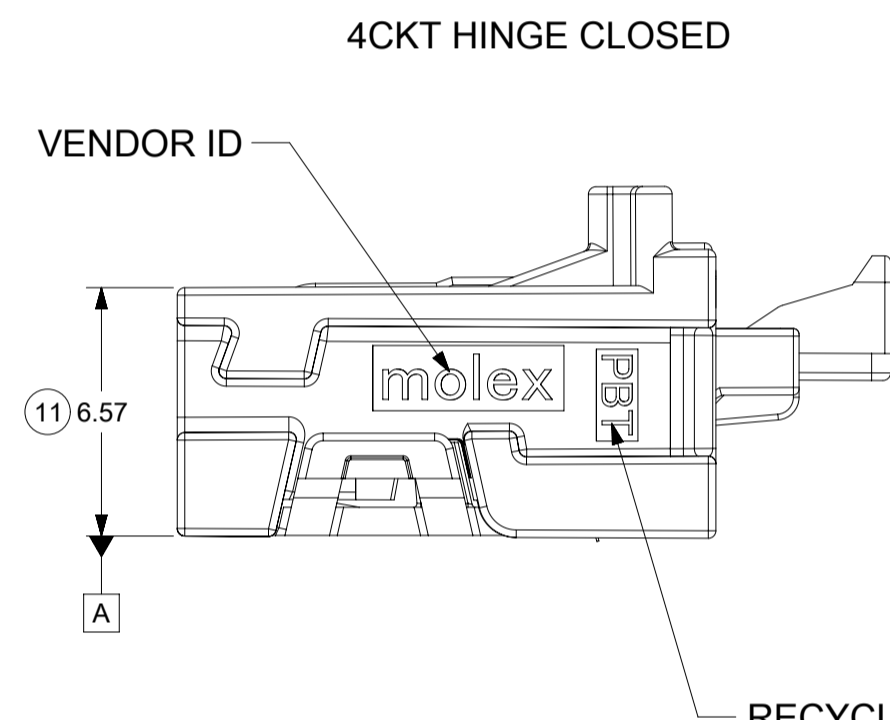
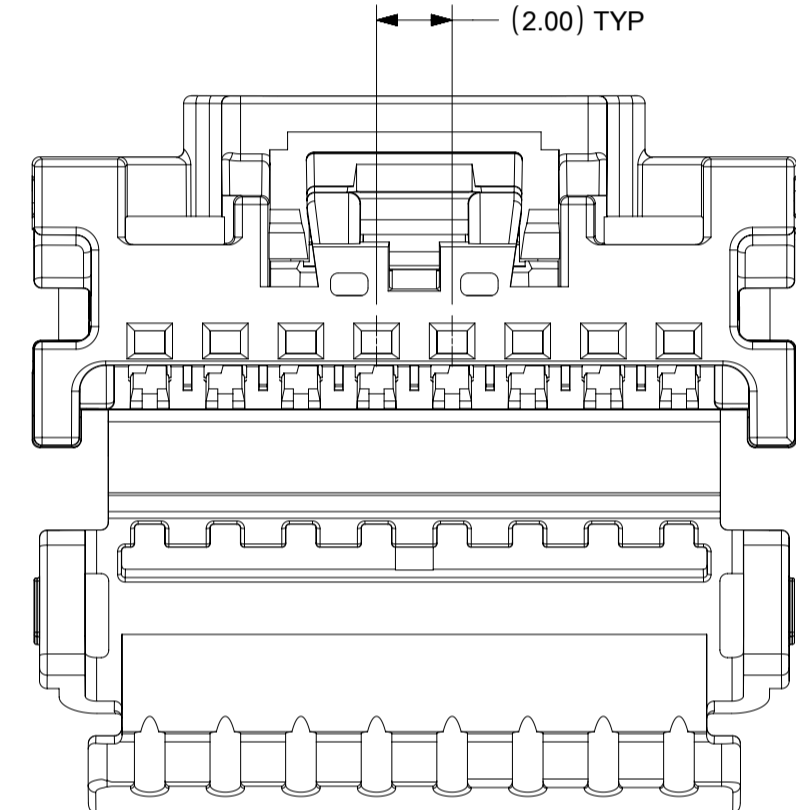
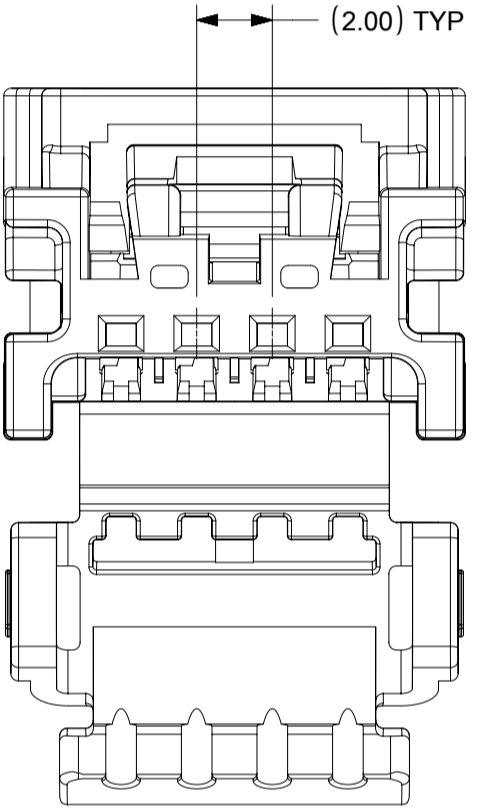
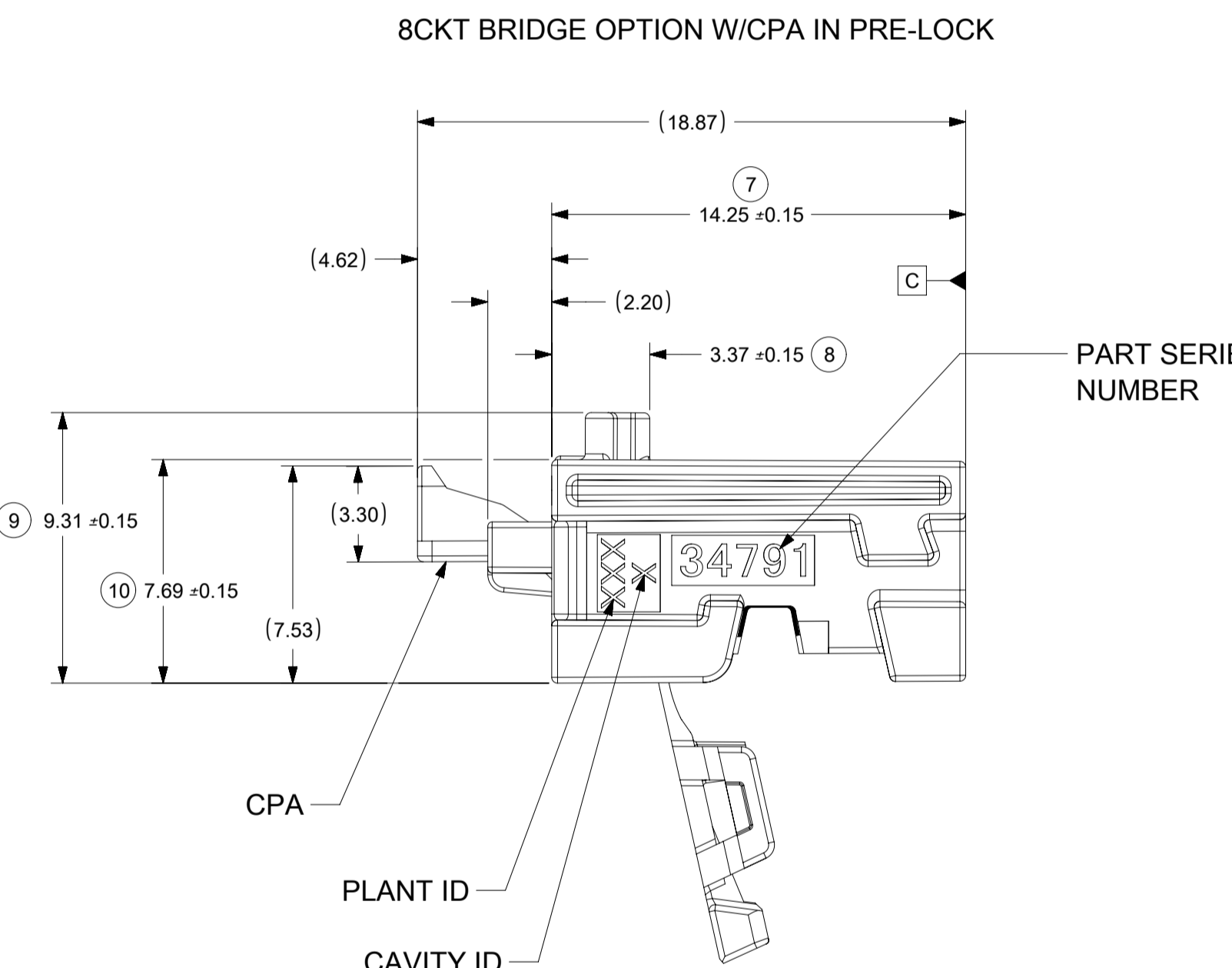
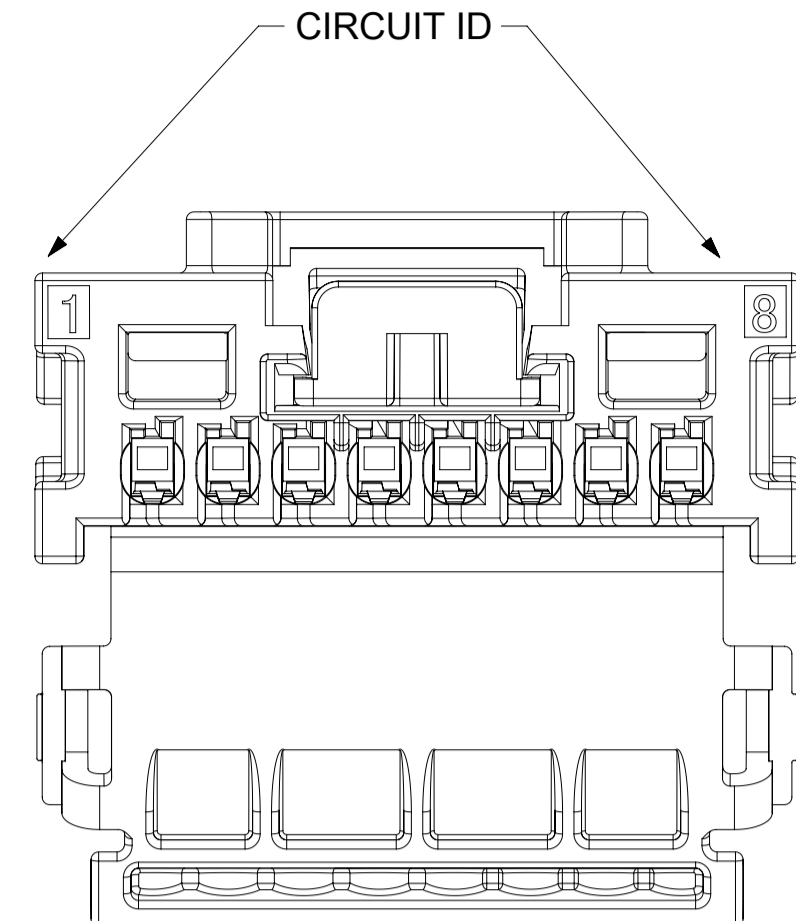
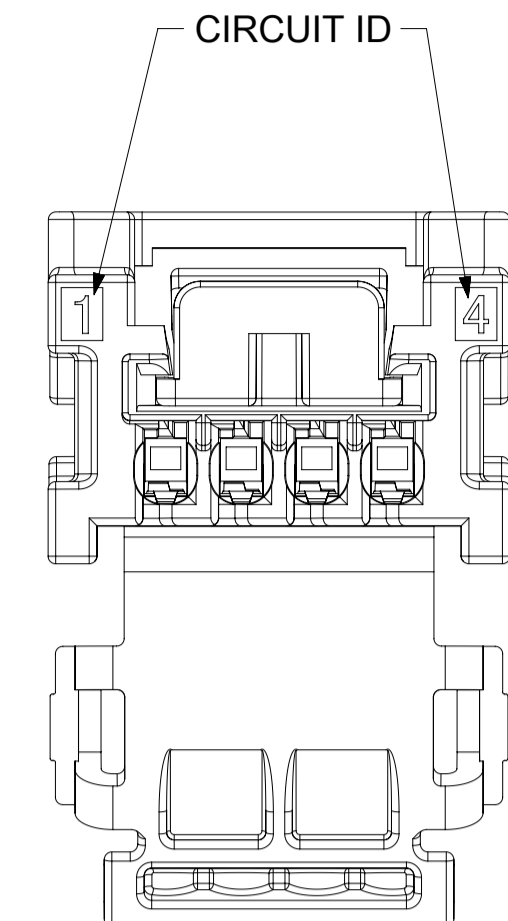
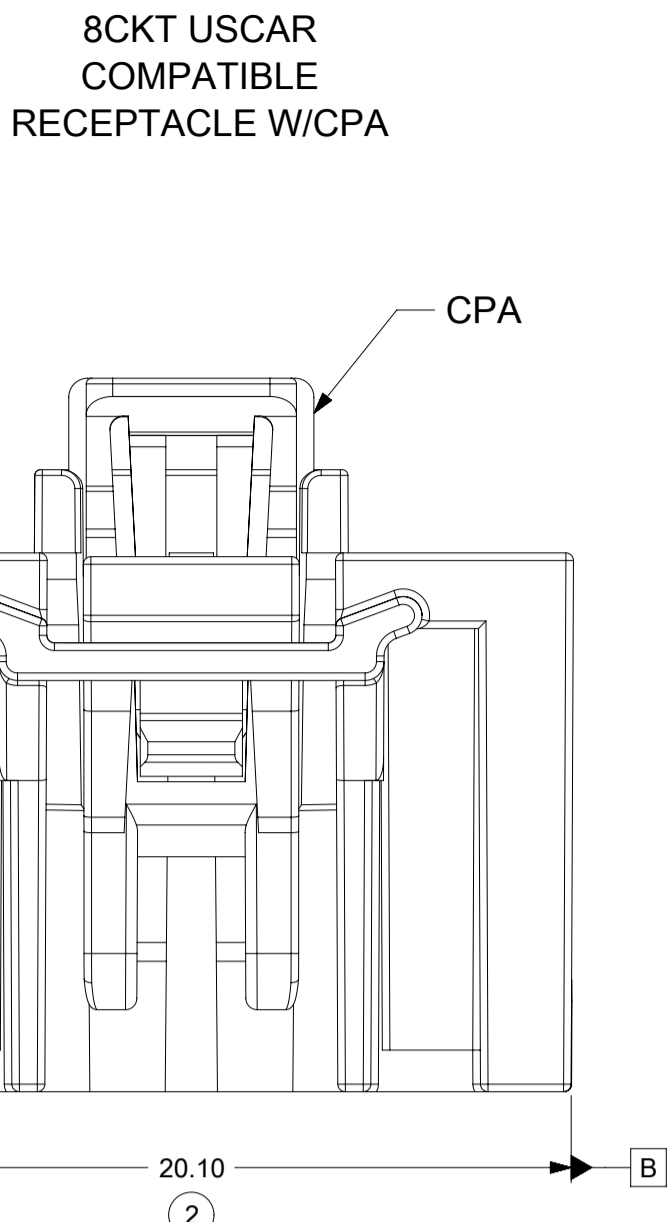
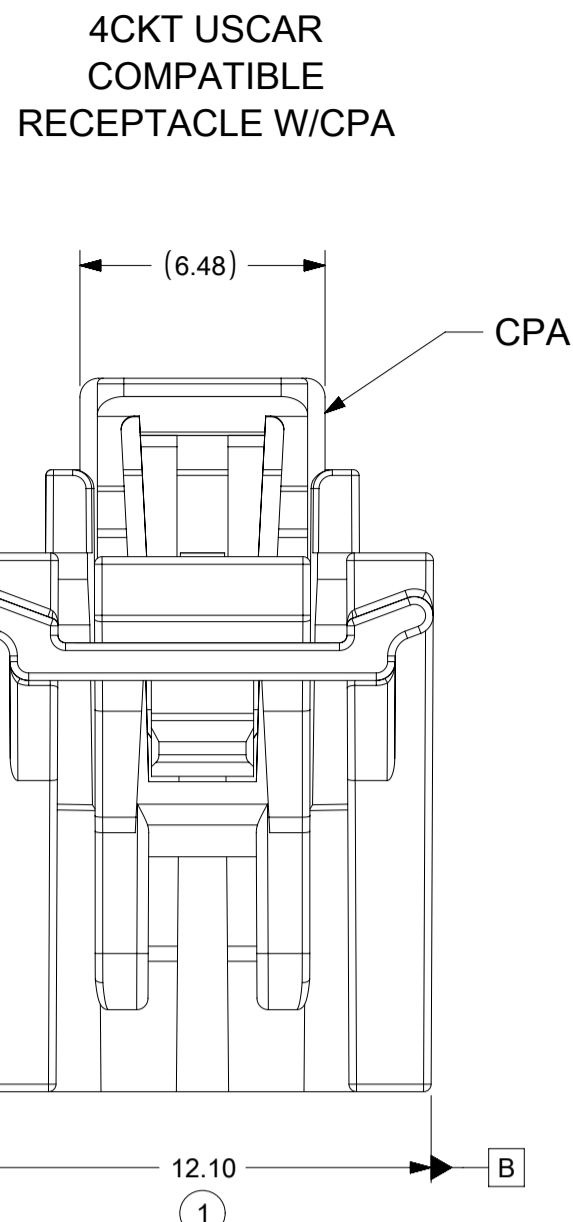
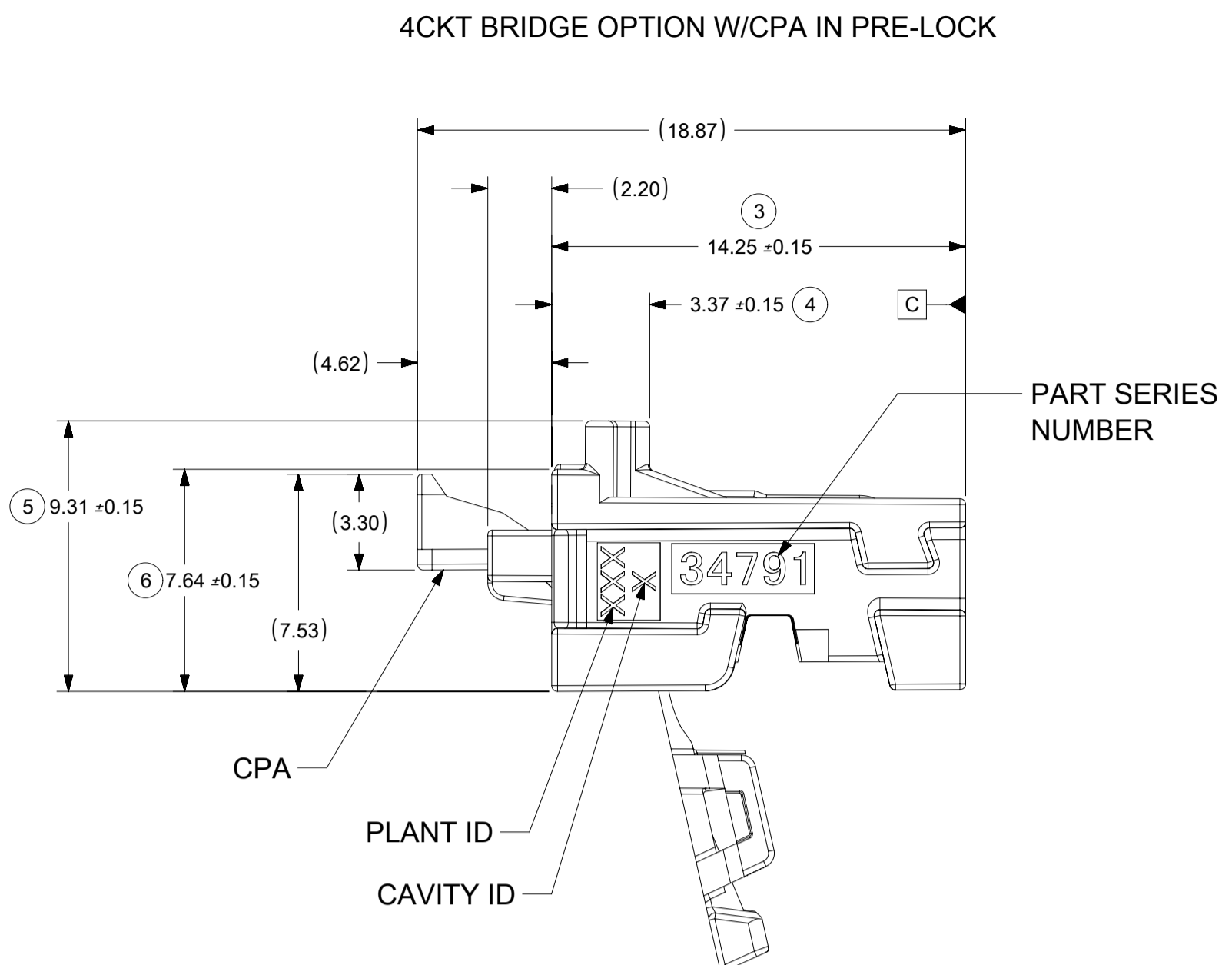
NOTES: VALID UNLESS OTHERWISE SPECIFIED

1. GENERAL:
 - a. APPLICATION SPECIFICATION SEE: AS-34791-020
 - b. PRODUCT SPECIFICATION SEE: PS-34791-020
 - c. PACKAGING SPECIFICATION PER MOLEX DRAWING: SEE CHART
 - d. PARTS MUST BE IN COMPLIANCE TO MOLEX CHEMICAL SUBSTANCES FOR PRODUCTS AND PACKAGING SPECIFICATION: QEHS-699000-301
 - e. DATA MUST BE SUBMITTED UNDER THE MOLEX PART NUMBER TO IMDS (COMPANY ID#13255)
 - f. FLAMMABILITY REQUIREMENT: PER ISO3795 OR GM3191
 1. BURN RATE 100 mm/MIN MAXIMUM
 2. MATERIAL MUST BE SELF EXTINGUISHING
 - g. VISUAL DEFECTS SHALL MEET COSMETIC STANDARD PS-45499-002 (Class B)
 - f. FOR TERMINAL USAGE, REFER TO MOLEX SALES DRAWING SD-560023-002
2. DESIGN - MATERIALS:
 - a. MATERIAL (4,8CKT): UNFILLED PBT
 - b. MATERIAL (12,16,20,24CKT): PA410 25% GF
3. DESIGN - GEOMETRY:
 - a. THIS IS A 100% CAD GENERATED PART. THE CAD MATHEMATICAL DATA IS THE MASTER FOR THIS PART. FOR DIMENSIONAL OR ANY INFORMATION NOT SHOWN ON THIS DRAWING, ANALYZE THE CAD MODEL.
 - b. GEOMETRIC DIMENSIONS AND TOLERANCES PER ASME Y14.5 - 2009
 - c. GENERAL TOLERANCES:
 - LINEAR: PER DIN 16901 CODE B FOR PRECISION ENGINEERING (SEE TABLE)
 - ANGULAR: ±3°
 - d. EDGES AND UNDIMENSIONED DETAILS PER ISO13715
 - e. CORNERS SHOWN AS SHARP TO BE R 0.2 MAX
 - f. LETTERING SHALL BE 0.1 MAX RAISED IN 0.15 MAX RECESS PAD AND NOT PROTRUDE THE SURFACE. THIS INCLUDES RECYCLING CODE, PLANT ID, CAVITY ID, VENDOR ID, CIRCUIT ID, AND PART SERIES NUMBER.
 - g. DIMENSION APPLIES ONLY TO RECEPTACLES WITH LOCK BRIDGE OPTION.
4. DESIGN - FUNCTIONALITY:
 - a. HINGE DOES NOT AFFECT FUNCTION OF THE PART.



M8	DIMENSION ADDED ON SHEET 3
M6	ADDED DATUMS AND DATUM NOTE
M5	REMASTERING DRAWING
M2	UPDATED 24 CKT
REV	DESCRIPTION

QUALITY SYMBOLS	THIS DRAWING CONTAINS INFORMATION THAT IS PROPRIETARY TO MOLEX ELECTRONIC TECHNOLOGIES, LLC AND SHOULD NOT BE USED WITHOUT WRITTEN PERMISSION		GENERAL TOLERANCES (UNLESS SPECIFIED)		DIMENSION UNITS	SCALE	molex [®]
	FA = 0	FB = 0	FC = 0	FD = 0	MM ONLY	5:1	
FE = 0	FF = 0	FG = 0	FH = 0	FI = 0	DRWN BY	DATE	MINI 50 SINGLE/DUAL ROW CPA-RECEPTACLE ASSEMBLY SALES DRAWING
FJ = 0	FK = 0	FL = 0	FM = 0	FN = 0	MYOUNG01	2013/01/31	
FO = 0	FP = 0	FQ = 0	FR = 0	FS = 0	CHK'D BY	DATE	PRODUCT CUSTOMER DRAWING
FT = 0	FU = 0	FV = 0	FW = 0	FX = 0	RBAUMAN	2013/11/13	
FD = 0	FE = 0	FF = 0	FG = 0	GH = 0	APPR BY	DATE	SERIES
GI = 0	GJ = 0	GK = 0	GL = 0	GM = 0	DRAWING SIZE	THIRD ANGLE PROJECTION	MATERIAL NUMBER
GN = 0	GO = 0	GP = 0	GQ = 0	GR = 0	A1		CUSTOMER
GS = 0	GT = 0	GU = 0	GV = 0	GW = 0	DRAFT WHERE APPLICABLE MUST REMAIN WITHIN DIMENSIONS		GENERAL MARKET
GX = 0	GY = 0	GZ = 0	HA = 0	HB = 0			DOCUMENT NUMBER
HC = 0	HD = 0	HE = 0	HF = 0	HG = 0			SD-34824-003
HE = 0	HF = 0	HG = 0	HH = 0	HI = 0			DOC TYPE
HO = 0	HP = 0	HQ = 0	HR = 0	HS = 0			PSD
HT = 0	HU = 0	HV = 0	HW = 0	HA = 0			DOC PART
HA = 0	HB = 0	HC = 0	HD = 0	HE = 0			001
HB = 0	HC = 0	HD = 0	HE = 0	HF = 0			SHEET NUMBER
HC = 0	HD = 0	HE = 0	HF = 0	HG = 0			1 OF 4

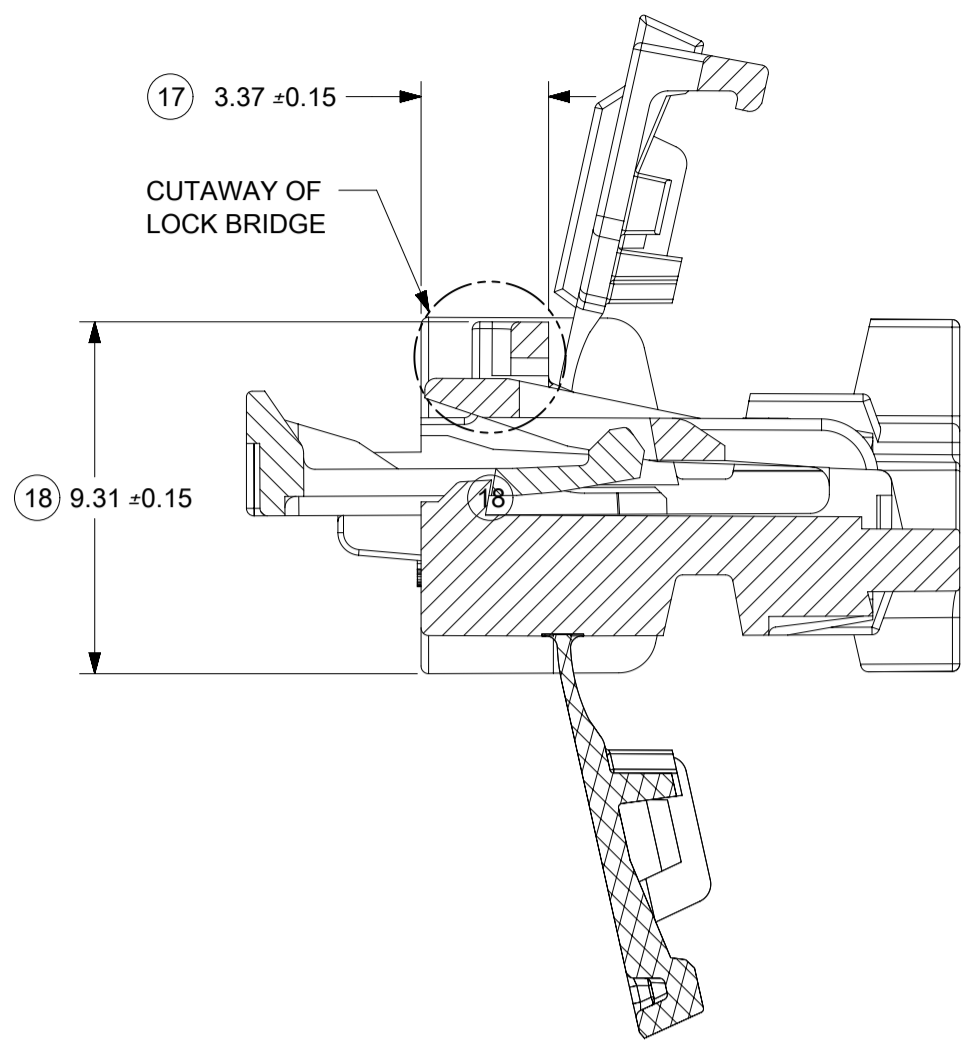


PASS THRU DIAMETER
 Ø DIM A
 1 mm ADDITIONAL CLEARANCE
 ADDED TO TIGHTEST FIT CIRCLE

CHARTED DIMENSIONS		
DESCRIPTION	DIMENSION	
	A	B
4 CKT	16.09	6.77
8 CKT	22.52	7.77
12 CKT	23.18	8.47
16 CKT	26.87	8.47
20 CKT	30.65	8.47
24 CKT	34.47	8.47

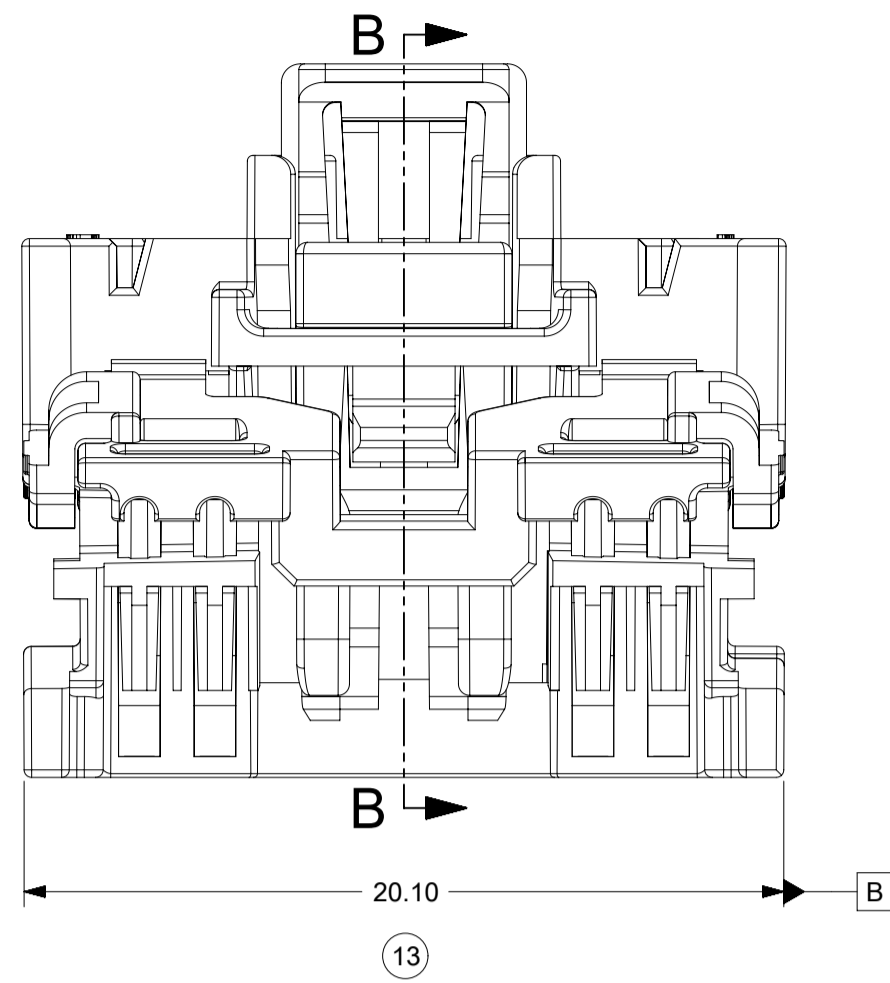
SYMBOLS	THIS DRAWING CONTAINS INFORMATION THAT IS PROPRIETARY TO MOLEX ELECTRONIC TECHNOLOGIES, LLC AND SHOULD NOT BE USED WITHOUT WRITTEN PERMISSION	
▽ = 0	DIMENSION UNITS	SCALE
▽ = 0	mm	5:1
▽ = 0	GENERAL TOLERANCES (UNLESS SPECIFIED)	
▽ = 0	ANGULAR TOL ± 1.0°	
▽ = 0	4 PLACES ±	
▽ = 0	3 PLACES ±	
▽ = 0	2 PLACES ± 0.1	
▽ = 0	1 PLACE ± 0.2	
▽ = 0	0 PLACES ±	
▣ = 0	DRAFT WHERE APPLICABLE MUST REMAIN WITHIN DIMENSIONS	
⊕	THIRD ANGLE PROJECTION	DRAWING
		A1-SIZE
	SERIES	34824
CURRENT REV DESC:		
EC NO: 614746		
DRWN: SRUSS 2019/03/27		
CHK'D: JDUNAJ 2019/03/29		
APPR: JDUNAJ 2019/03/29		
INITIAL REVISION:		
DRWN: TMACHUGA 2013/10/15		
APPR: RBAUMAN 2013/11/13		
DOCUMENT NUMBER		DOC TYPE DOC PART REVISION
SD-34824-003		PSD 001 M8
MATERIAL NUMBER		CUSTOMER
		GENERAL MARKET
SHEET NUMBER		2 OF 4

DUAL ROW LOCK BRIDGE OPTION

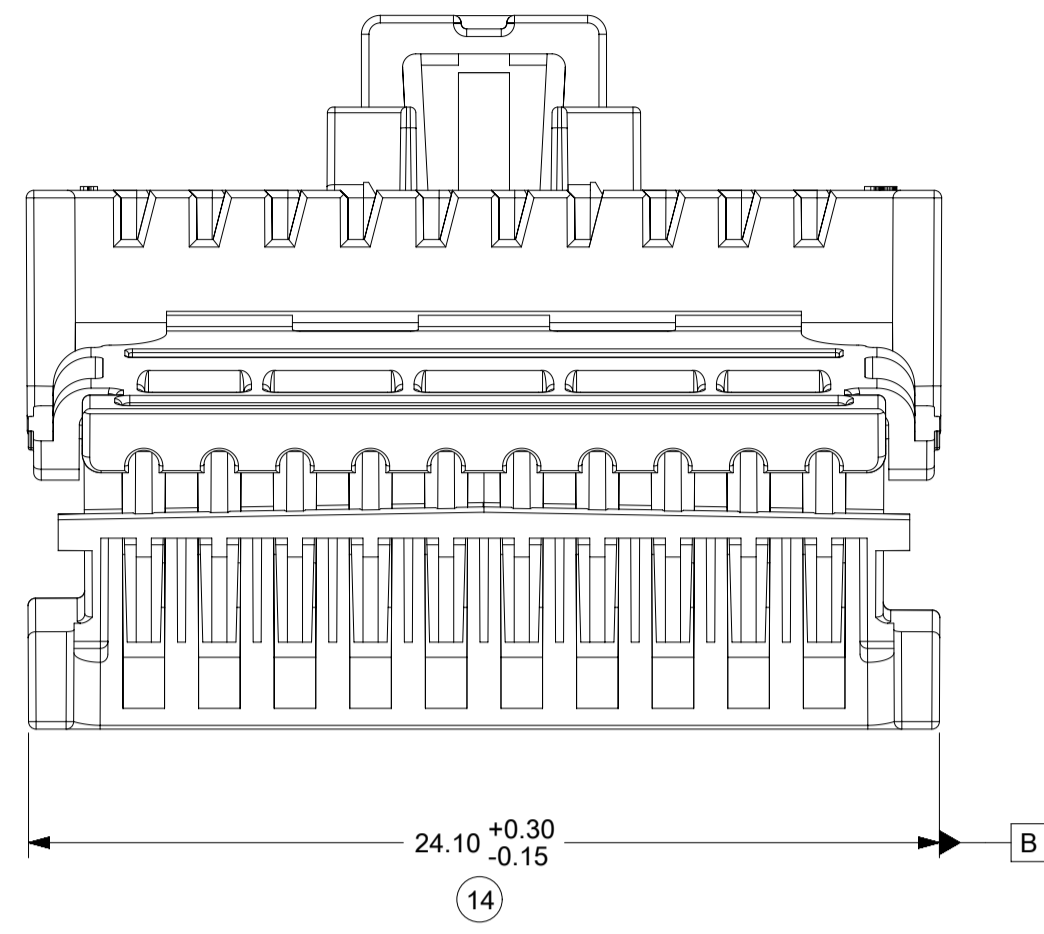


SECTION B-B

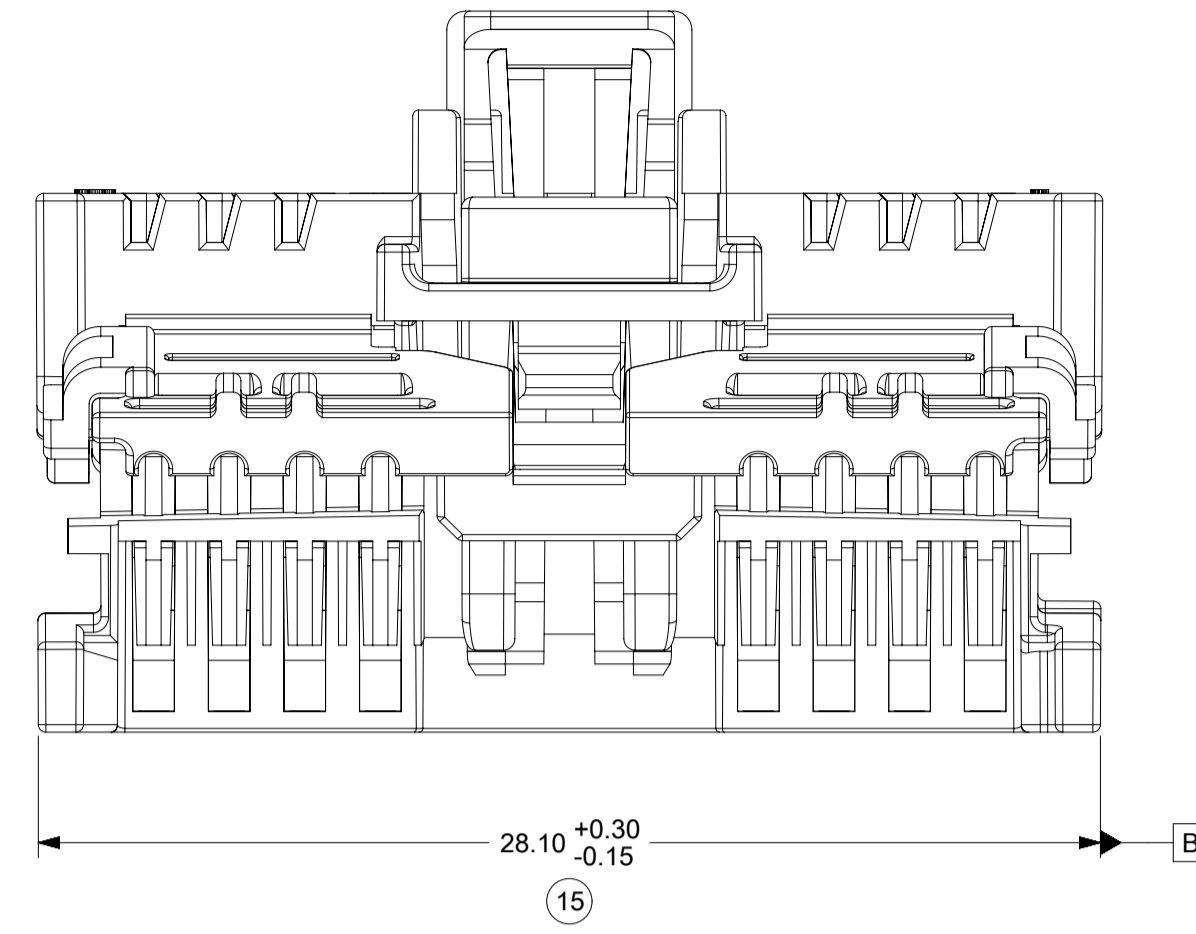
12 CKT USCAR COMPATIBLE RECEPTACLE W/CPA



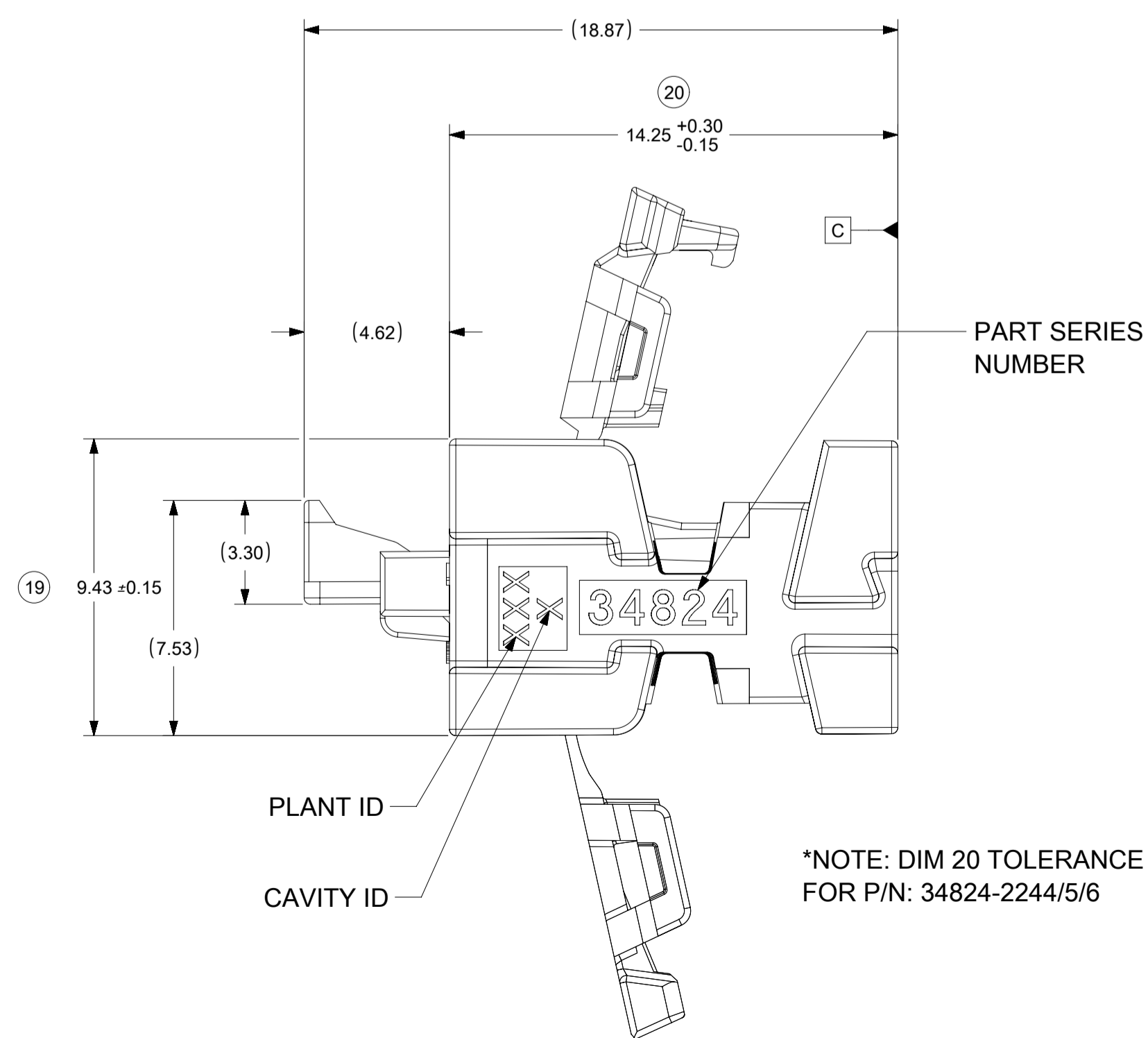
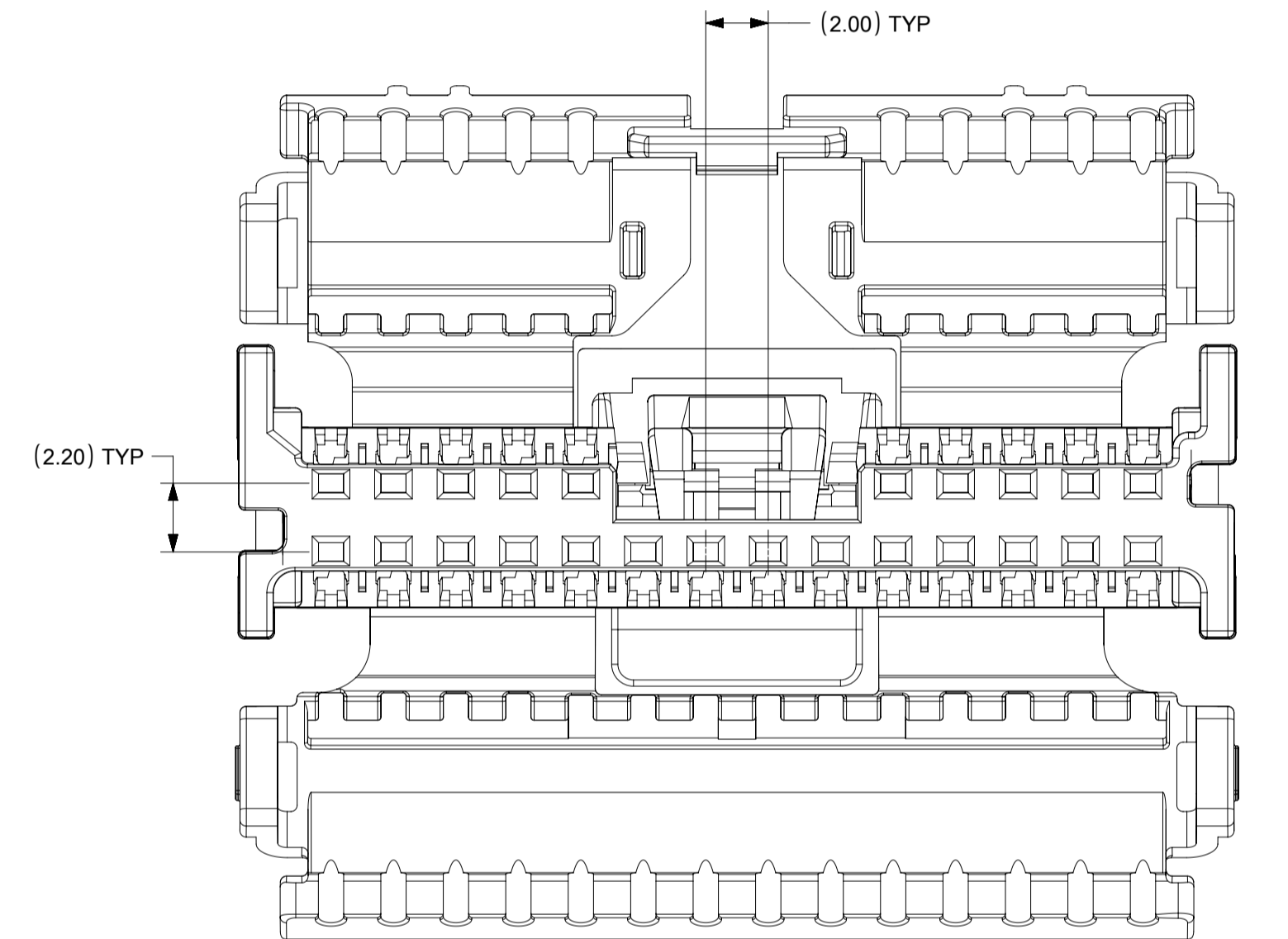
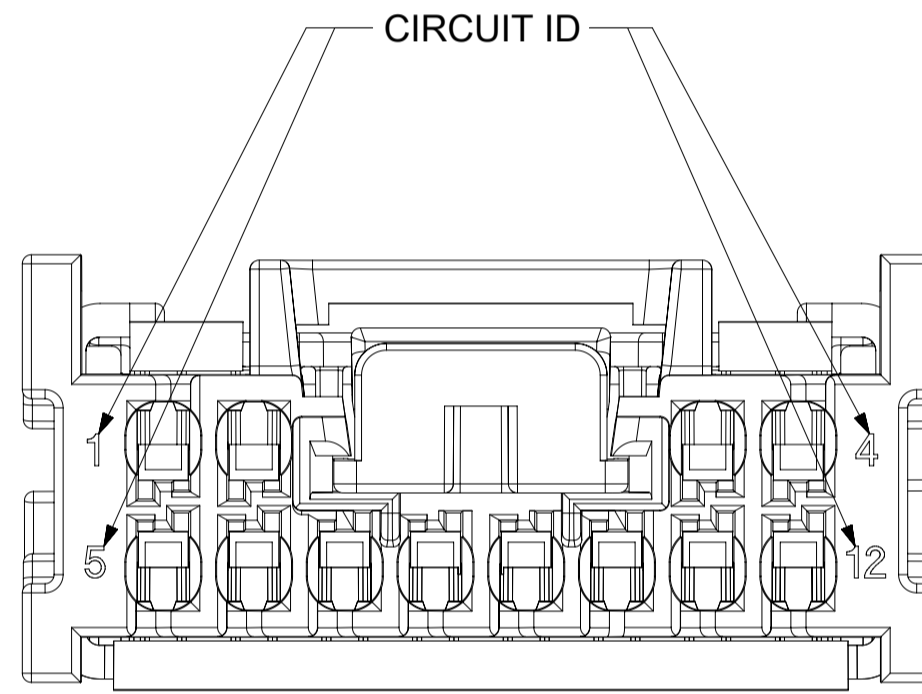
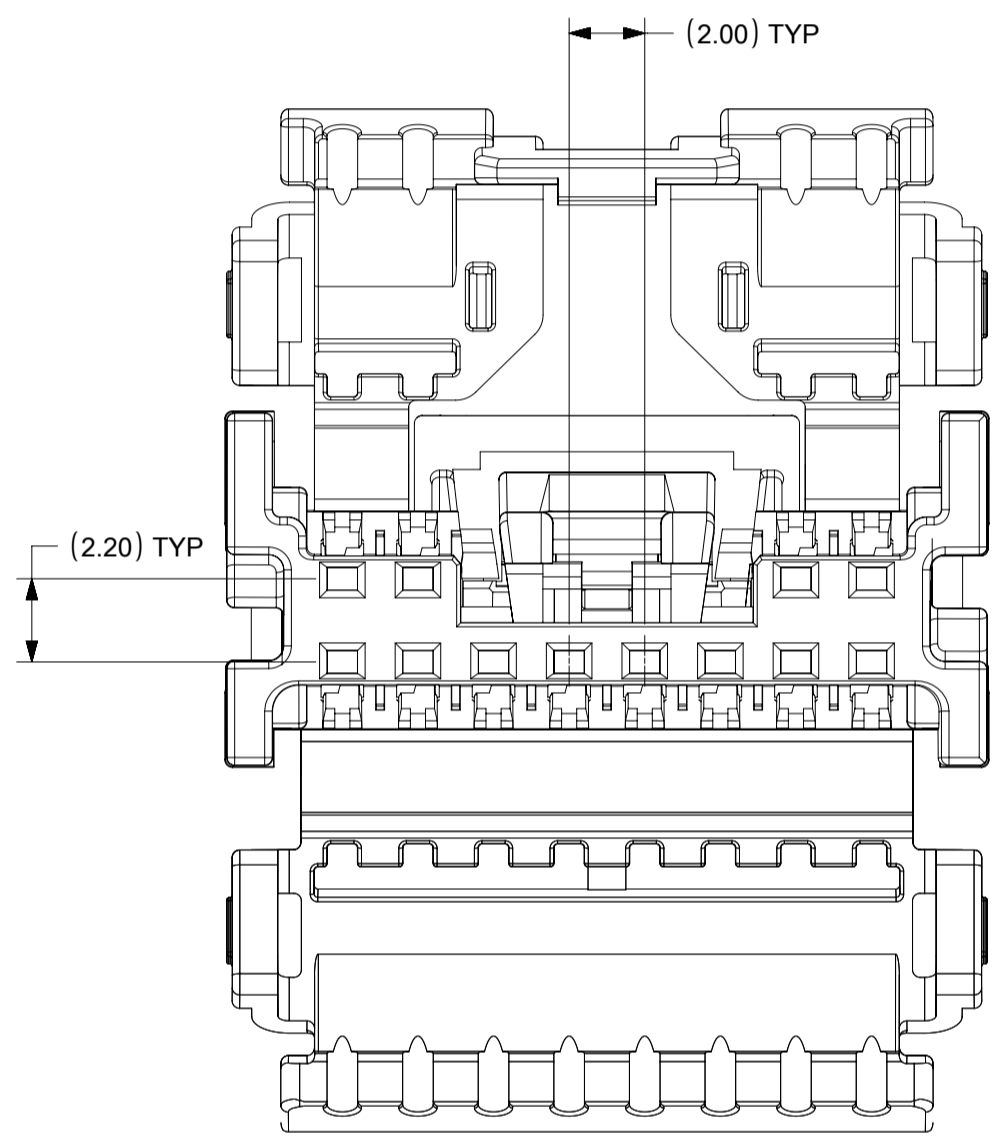
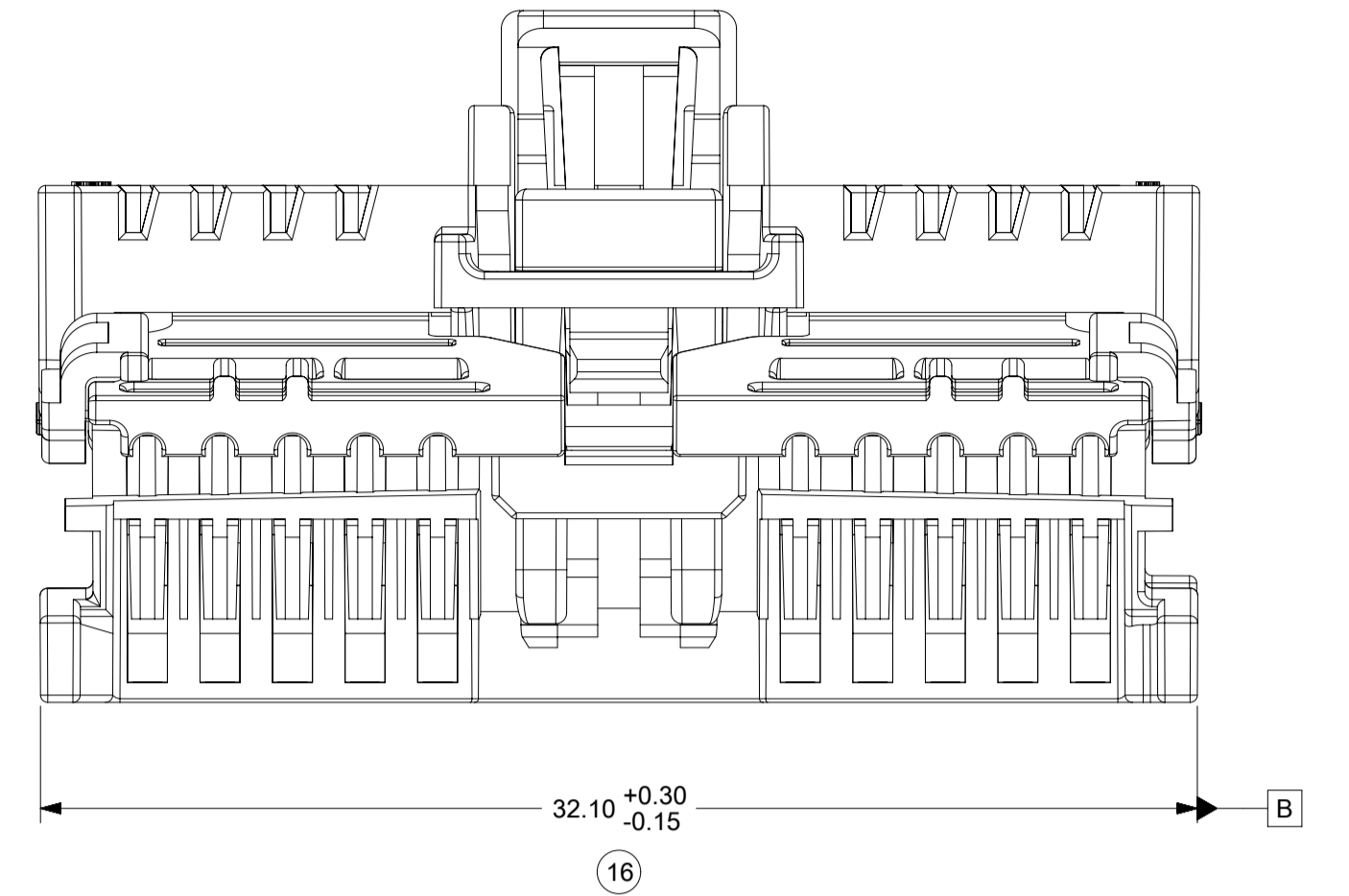
16 CKT USCAR COMPATIBLE RECEPTACLE W/CPA



20 CKT USCAR COMPATIBLE RECEPTACLE W/CPA

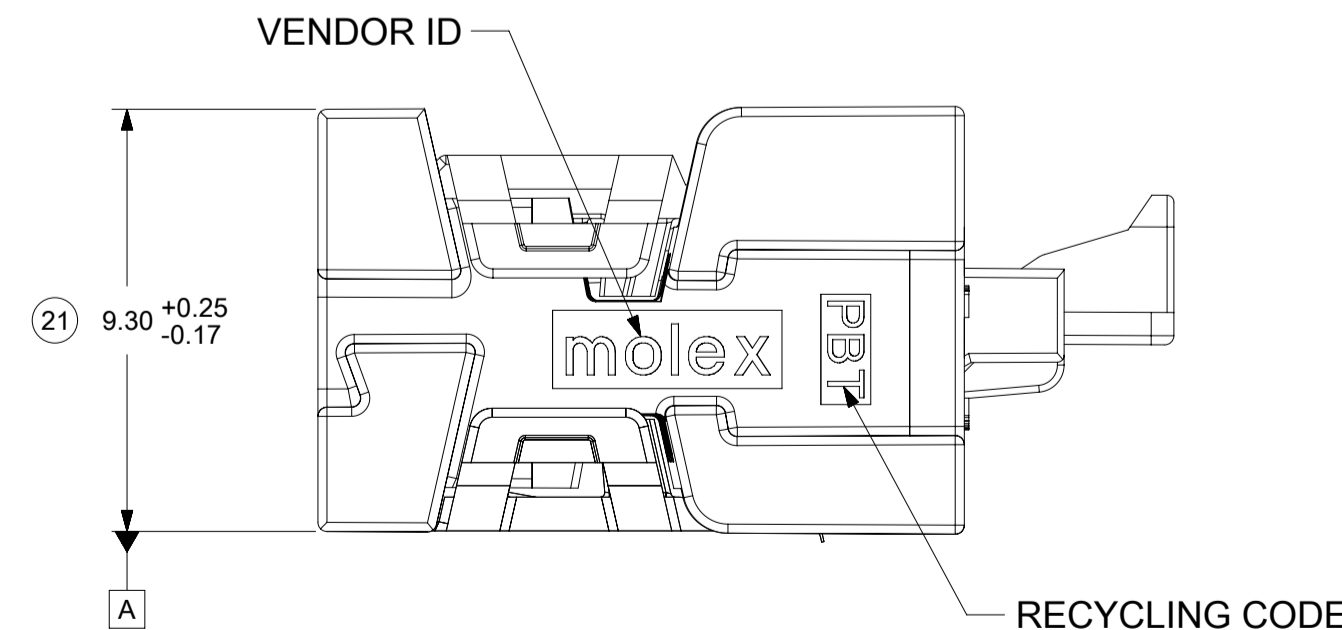


24 CKT USCAR COMPATIBLE RECEPTACLE W/CPA



*NOTE: DIM 20 TOLERANCE IS +0.30/-0.15 FOR P/N: 34824-2244/5/6

HINGES CLOSED



*NOTE: DATUMS A AND C ARE SIMILAR FOR 12-24CKT CONNECTORS

SYMBOLS	THIS DRAWING CONTAINS INFORMATION THAT IS PROPRIETARY TO MOLEX ELECTRONIC TECHNOLOGIES, LLC AND SHOULD NOT BE USED WITHOUT WRITTEN PERMISSION		CURRENT REV DESC:	
	DIMENSION UNITS	SCALE		
∇ = 0	mm	5:1		
∇ = 0	GENERAL TOLERANCES (UNLESS SPECIFIED)			
∇ = 0	ANGULAR TOL ± 1.0°			
∇ = 0	4 PLACES	±		
∇ = 0	3 PLACES	±		
∇ = 0	2 PLACES	± 0.1		
∇ = 0	1 PLACE	± 0.2		
⊠ = 0	DRAFT WHERE APPLICABLE MUST REMAIN WITHIN DIMENSIONS			
⊠ = 0	THIRD ANGLE PROJECTION	DRAWING	SERIES	INITIAL REVISION:
		A1-SIZE	34824	DRWN: SRUSS 2019/03/27 CHK'D: JDUNAJ 2019/03/29 APPR: JDUNAJ 2019/03/29
				EC NO: 614746 DRWN: SRUSS 2019/03/27 CHK'D: JDUNAJ 2019/03/29 APPR: JDUNAJ 2019/03/29
				DRWN: TMACHUGA 2013/10/15 APPR: RBAUMAN 2013/11/13
DOCUMENT NUMBER			DOC TYPE	DOC PART
SD-34824-003			PSD	001
MATERIAL NUMBER			CUSTOMER	SHEET NUMBER
			GENERAL MARKET	3 OF 4
				M8

SINGLE ROW ASSEMBLY (RECEPTACLE WITH CPA)

MOLEX MATERIAL NUMBER BULK PACKAGING PK-31301-538	GENERAL MOTORS PART NUMBER	CONFIGURATION	MATERIAL TYPE	CIRCUIT	POL	COLOR	MATING COMPONENT					
							SURFACE MOUNT TECHNOLOGY (SMT) HEADER		VERTICAL THRU HOLE HEADER		RIGHT ANGLE THRU HOLE HEADER	
							TAPE AND REEL PACKAGING PK-31301-786	TUBE PACKAGING PK-31301-688	TAPE AND REEL PACKAGING PK-31301-440	TUBE PACKAGING PK-31301-688	TAPE AND REEL PACKAGING PK-31301-440	TUBE PACKAGING PK-31301-688
34791-5140	13507113	USCAR	PBT	4	A	BLACK	34912-8040	34912-9040	34792-0040	34792-9040	34793-0040	34793-9040
34791-5141	13507115	USCAR		4	B	LIGHT GRAY	34912-8041	34912-9041	34792-0041	34792-9041	34793-0041	34793-9041
34791-5142	13507116	USCAR		4	C	DARK GRAY	34912-8042	34912-9042	34792-0042	34792-9042	34793-0042	34793-9042
34791-5143	13507117	USCAR		4	D	GREEN	34912-8043	34912-9043	34792-0043	34792-9043	34793-0043	34793-9043
34791-5180	13507118	USCAR		8	A	BLACK	34912-8080	34912-9080	34792-0080	34792-9080	34793-0080	34793-9080
34791-5181	13507119	USCAR		8	B	LIGHT GRAY	34912-8081	34912-9081	34792-0081	34792-9081	34793-0081	34793-9081
34791-5182	13507120	USCAR		8	C	DARK GRAY	34912-8082	34912-9082	34792-0082	34792-9082	34793-0082	34793-9082

DUAL ROW ASSEMBLY (RECEPTACLE WITH CPA)

MOLEX MATERIAL NUMBER BULK PACKAGING PK-31301-538	GENERAL MOTORS PART NUMBER	CONFIGURATION	MATERIAL TYPE	CIRCUIT	POL	COLOR	MATING COMPONENT						
							SURFACE MOUNT TECHNOLOGY (SMT) HEADER		VERTICAL THRU HOLE HEADER		RIGHT ANGLE THRU HOLE HEADER		
							TAPE AND REEL PACKAGING PK-31301-786	TUBE PACKAGING PK-31301-688	TAPE AND REEL PACKAGING PK-31301-440	TUBE PACKAGING PK-31301-688	TAPE AND REEL PACKAGING PK-31301-440	TUBE PACKAGING PK-31301-688	
34824-2164	N/A	USCAR	ECOPAXX	16	A	BLACK	34897-8160	34897-9160	34825-0160	34825-9160	34826-0160	34826-9160	
34824-2165	N/A	USCAR		16	B	LIGHT GRAY	34897-8161	34897-9161	34825-0161	34825-9161	34826-0161	34826-9161	
34824-2166	N/A	USCAR		16	C	DARK GRAY	34897-8162	34897-9162	34825-0162	34825-9162	34826-0162	34826-9162	
34824-2204	13596105	USCAR		20	A	BLACK	34897-8200	34897-9200	34825-0200	34825-9200	34826-0200	34826-9200	
34824-2205	13596106	USCAR		20	B	LIGHT GRAY	34897-8201	34897-9201	34825-0201	34825-9201	34826-0201	34826-9201	
34824-2206	13596107	USCAR		20	C	DARK GRAY	34897-8202	34897-9202	34825-0202	34825-9202	34826-0202	34826-9202	
34824-2244	N/A	USCAR		24	A	BLACK	34897-8240	34897-9240	34825-0240	34825-9240	34826-0240	34826-9240	
34824-2245	N/A	USCAR		24	B	LIGHT GRAY	34897-8241	34897-9241	34825-0241	34825-9241	34826-0241	34826-9241	
34824-2246	N/A	USCAR		24	C	DARK GRAY	34897-8242	34897-9242	34825-0242	34825-9242	34826-0242	34826-9242	
34824-5124	13507121	USCAR		PBT	12	A	BLACK	34897-8120	34897-9120	34825-0124	34825-9124	34826-0124	34826-9124
34824-5125	13507122	USCAR			12	B	LIGHT GRAY	34897-8121	34897-9121	34825-0125	34825-9125	34826-0125	34826-9125
34824-5126	13507114	USCAR			12	C	DARK GRAY	34897-8122	34897-9122	34825-0126	34825-9126	34826-0126	34826-9126
34824-2160	N/A	USCAR	16		A	BLACK	34897-8160	34897-9160	34825-0160	34825-9160	34826-0160	34826-9160	
34824-2161	N/A	USCAR	16		B	LIGHT GRAY	34897-8161	34897-9161	34825-0161	34825-9161	34826-0161	34826-9161	
34824-2162	N/A	USCAR	16		C	DARK GRAY	34897-8162	34897-9162	34825-0162	34825-9162	34826-0162	34826-9162	
34824-2200	13596105	USCAR	20		A	BLACK	34897-8200	34897-9200	34825-0200	34825-9200	34826-0200	34826-9200	
34824-2201	13596106	USCAR	20		B	LIGHT GRAY	34897-8201	34897-9201	34825-0201	34825-9201	34826-0201	34826-9201	
34824-2202	13596107	USCAR	20		C	DARK GRAY	34897-8202	34897-9202	34825-0202	34825-9202	34826-0202	34826-9202	
34824-2240	N/A	USCAR	24		A	BLACK	34897-8240	34897-9240	34825-0240	34825-9240	34826-0240	34826-9240	
34824-2241	N/A	USCAR	24		B	LIGHT GRAY	34897-8241	34897-9241	34825-0241	34825-9241	34826-0241	34826-9241	
34824-2242	N/A	USCAR	24		C	DARK GRAY	34897-8242	34897-9242	34825-0242	34825-9242	34826-0242	34826-9242	

*NOTE: MOLEX CONFIGURATION CONSISTS OF AN EXPANSION OF THE 12CKT USCAR-COMPATIBLE CONFIGURATION TO ALLOW FOR 16, 20, AND 24 CIRCUITS

MINI50 CPA (APPLIED TO SINGLE AND DUAL ROW BRIDGED RECEPTACLE CONNECTORS)

MATERIAL NUMBER	COLOR	MATING COMPONENT
34824-7000	NATURAL	SEE CHARTS ABOVE

CTX50 UNSEALED RECEPTACLE TERMINALS

PART NUMBER		MATERIAL	WIRE GAGE (mm ²)	GRIP
D-WIND (LEFT PAYOFF)	B-WIND (RIGHT PAYOFF)			
560023-0448	560023-0450	COPPER ALLOY	0.35	LARGE
560023-0421	560023-0423	COPPER ALLOY	0.22	MEDIUM
560023-0422	560023-0424	COPPER ALLOY	0.13	SMALL

SYMBOLS	THIS DRAWING CONTAINS INFORMATION THAT IS PROPRIETARY TO MOLEX ELECTRONIC TECHNOLOGIES, LLC AND SHOULD NOT BE USED WITHOUT WRITTEN PERMISSION		CURRENT REV DESC:		molex		
	DIMENSION UNITS	SCALE					
▽ = 0	mm	1:1	EC NO: 614746 DRWN: SRUSS 2019/03/27 CHK'D: JDUNAJ 2019/03/29 APPR: JDUNAJ 2019/03/29 INITIAL REVISION: DRWN: TMACHUGA 2013/10/15 APPR: RBAUMAN 2013/11/13		MINI 50 SINGLE/DUAL ROW CPA-RECEPTACLE ASSEMBLY SALES DRAWING		
▽ = 0	GENERAL TOLERANCES (UNLESS SPECIFIED)				PRODUCT CUSTOMER DRAWING		
▽ = 0	ANGULAR TOL ± 1.0°				DOCUMENT NUMBER		
▽ = 0	4 PLACES ±				SD-34824-003		
▽ = 0	3 PLACES ±				DOC TYPE DOC PART REVISION		
▽ = 0	2 PLACES ± 0.1		PSD 001 M8				
▽ = 0	1 PLACE ± 0.2		MATERIAL NUMBER				
▽ = 0	0 PLACES ±		CUSTOMER				
⊠ = 0	DRAFT WHERE APPLICABLE MUST REMAIN WITHIN DIMENSIONS		THIRD ANGLE PROJECTION		DRAWING		
■ = 0			SERIES		SHEET NUMBER		
▽ = 0			A1-SIZE		4 OF 4		
			34824		GENERAL MARKET		