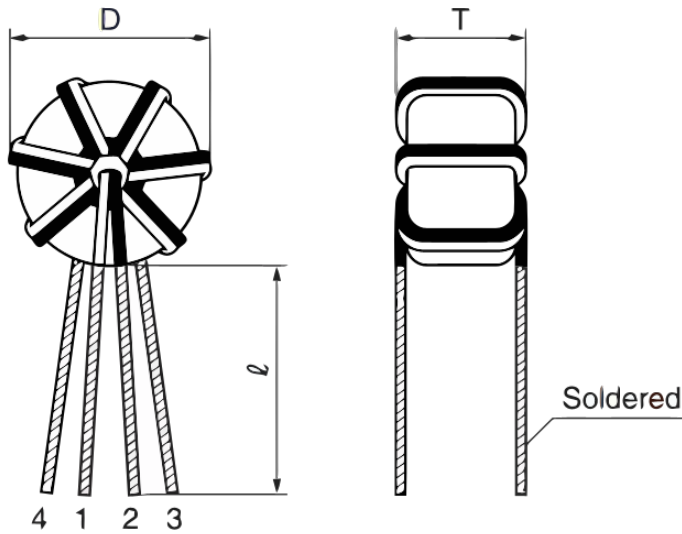


SHO-501

Aliases (UDLSHO05010000, SHO501)

KEMET, SHO, DC Line Filters, Common Mode, 17.5 uH



Click [here](#) for the 3D model.

General Information

Series	SHO
Style	Through-Hole
RoHS	Yes

Specifications

Voltage DC	50 VDC
Inductance	17.5 uH
Temperature Range	-25/+80°C
DC Resistance	105 mOhms

Dimensions

L	6.2mm MAX
T	3.4mm MAX
H	6.2mm MAX
LL	4mm +/-2mm

Packaging Specifications

Packaging	Bulk, Box
Packaging Quantity	6000
Component Weight	200 mg

Statements of suitability for certain applications are based on our knowledge of typical operating conditions for such applications, but are not intended to constitute - and we specifically disclaim - any warranty concerning suitability for a specific customer application or use. This information is intended for use only by customers who have the requisite experience and capability to determine the correct products for their application. Any technical advice inferred from this information or otherwise provided by us with reference to the use of our products is given gratis, and we assume no obligation or liability for the advice given or results obtained.