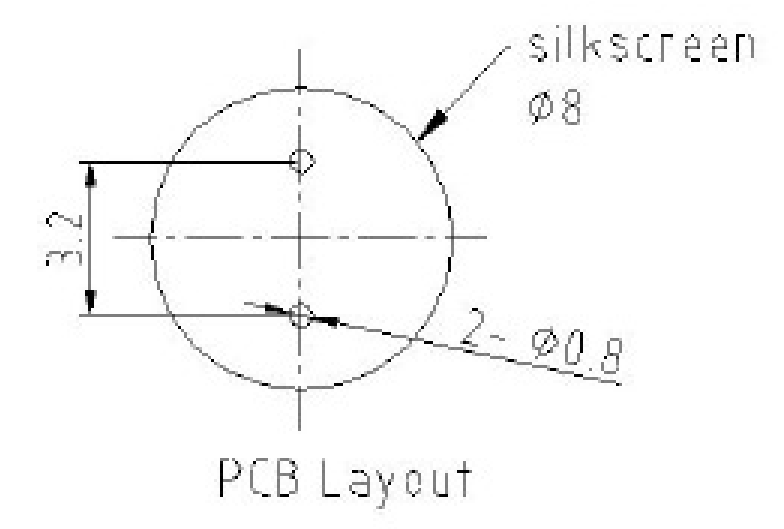
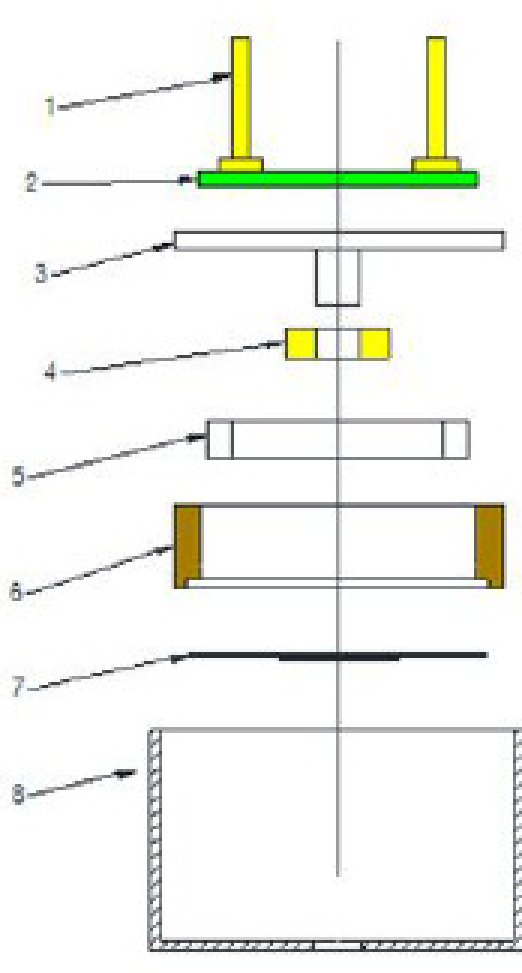
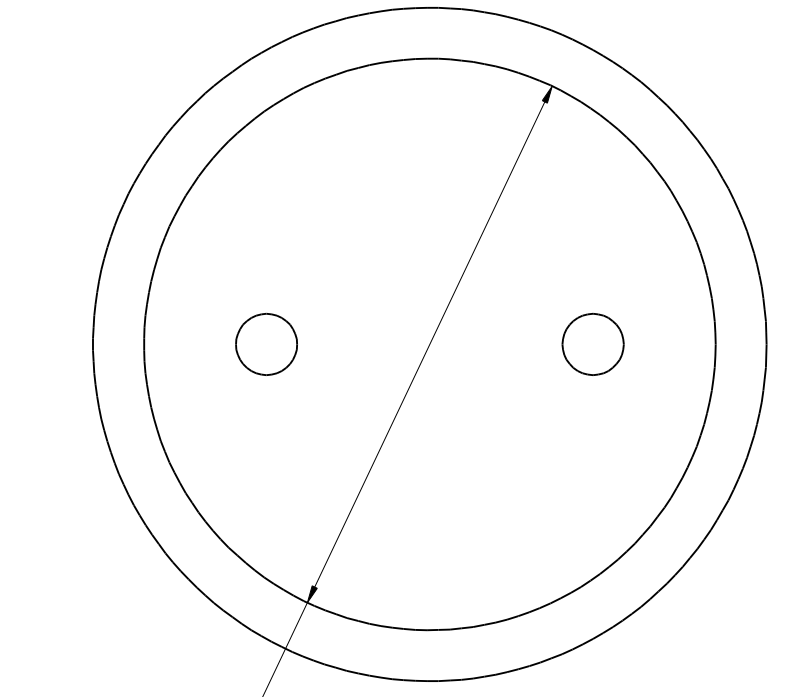
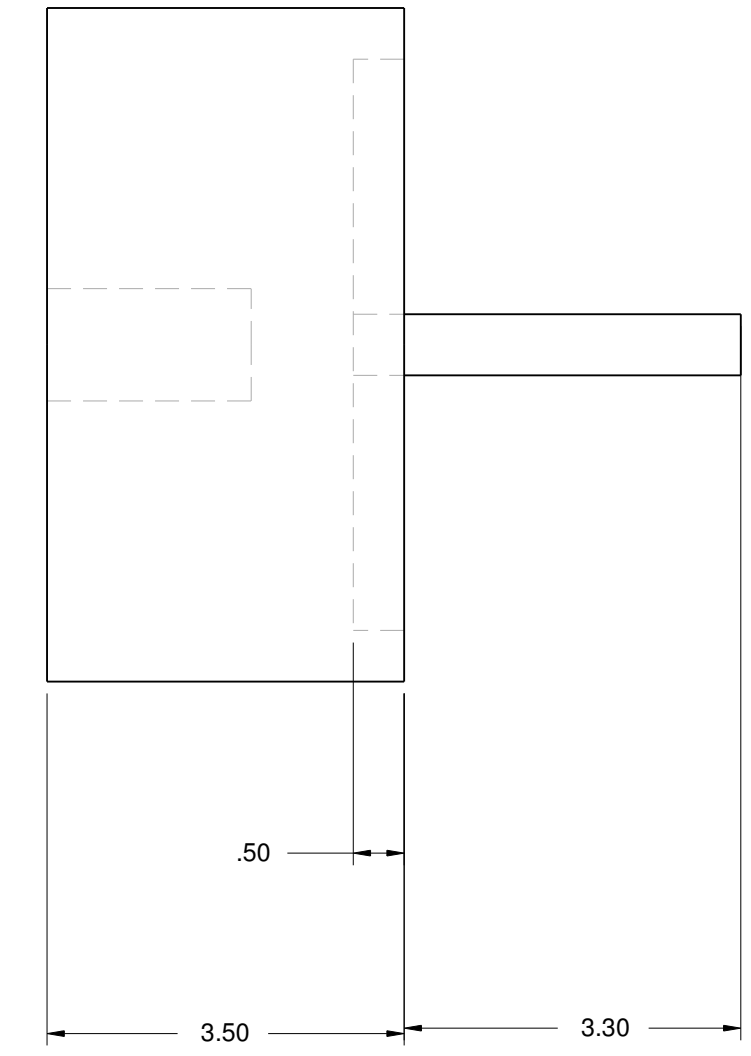
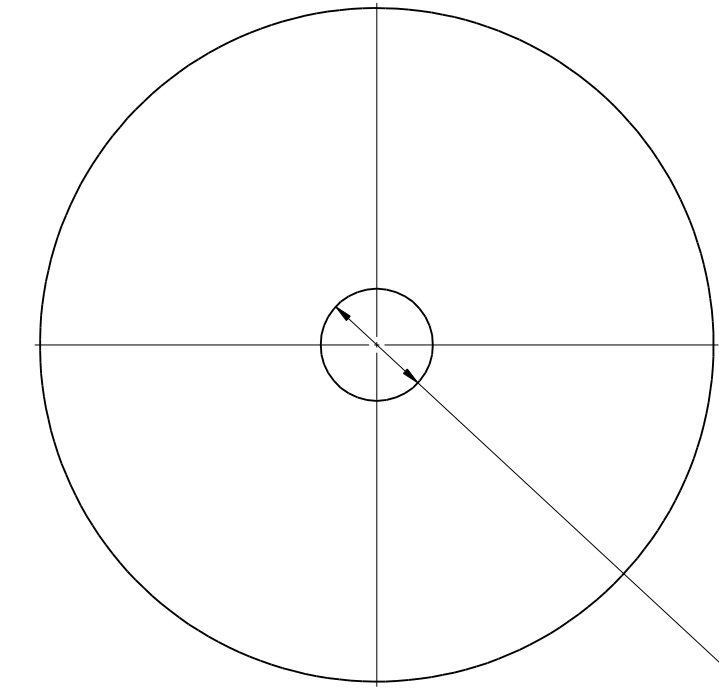
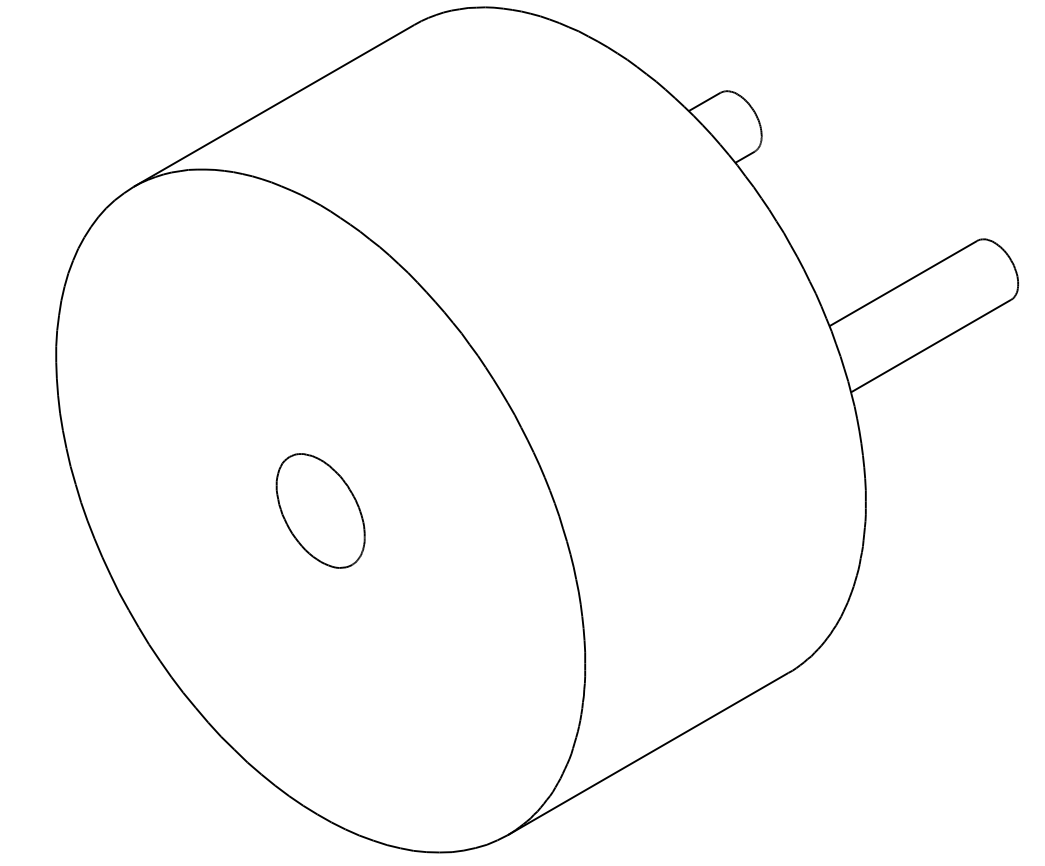
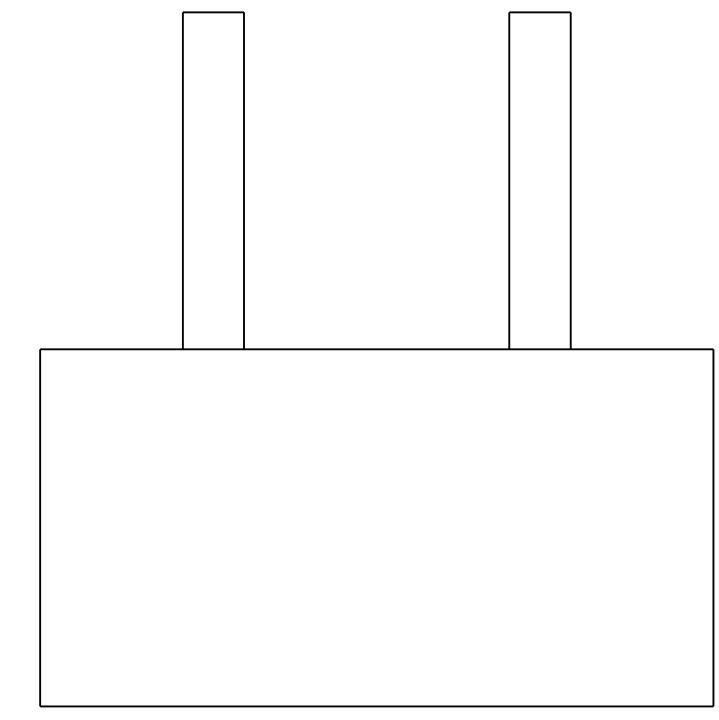


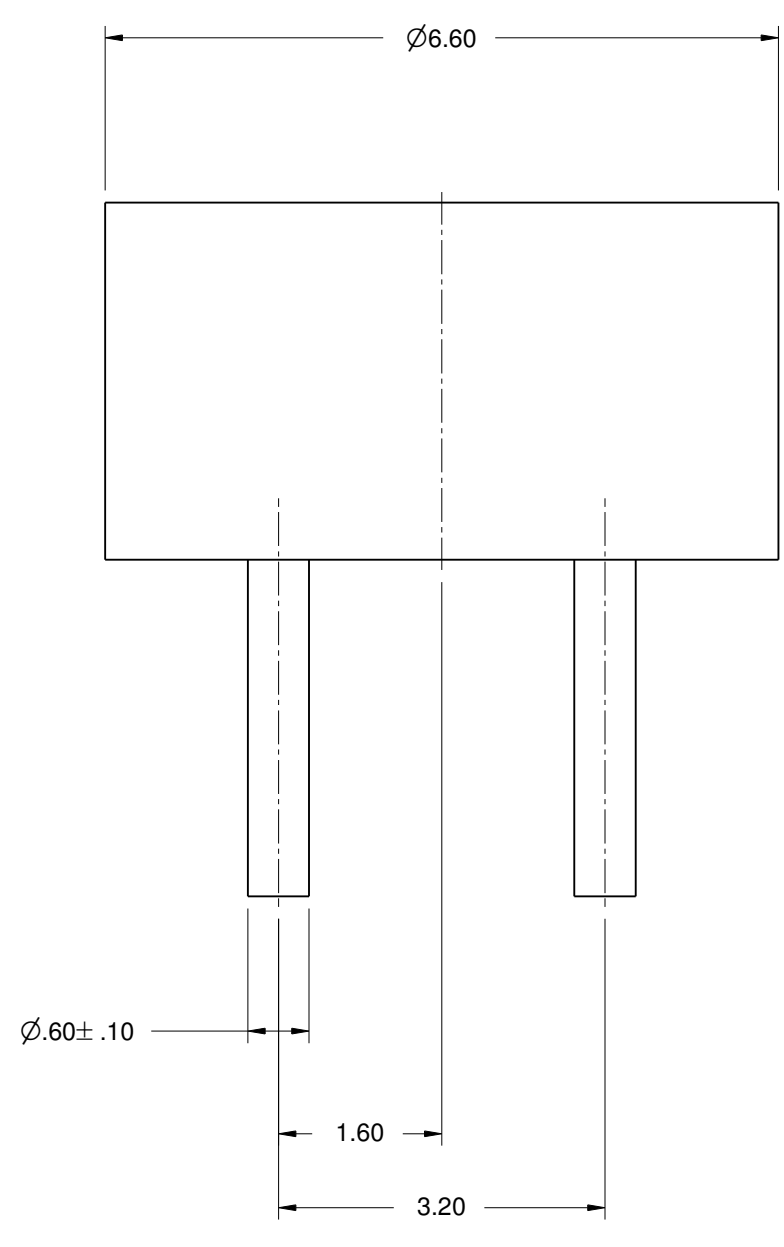
REVISIONS				
ZONE	REV	DESCRIPTION	DATE	APPROVED



No.	Part Name	Material	Quantity
1	PIN	Copper	2
2	PCB	Epoxy glass fiber cloth + copper	1
3	Core	Ferrum	1
4	Coil	Copper	1
5	Magnet ring	NdFeB	1
6	Copper collar	Copper	1
7	Diaphragm	Ferrum	1
8	Case	PPO	1



Ø1.10
SOUND EMISSION HOLE



SIZE	FSCM NO.	DWG NO.	REV
D		GT-0601A	
SCALE	1:1	SHEET	1 OF 1