

PLEASE CHECK WWW.MOLEX.COM FOR LATEST PART INFORMATION

Part Number: **0761349001**

Status: **Active**

Overview: VHDM H-Series Backplane Connectors

Description: VHDM H-Series Single-Ended Board-to-Board Backplane Header, 2.00mm Pitch, Vertical, 8 Rows, Signal Module, Open End Version, 80 Circuits, Pin Length 4.75mm

Documents:

[Drawing \(PDF\)](#)

[Product Specification PS-74031-999-001 \(PDF\)](#)

[Packaging Specification PK-74060-003-001 \(PDF\)](#)

[RoHS Certificate of Compliance \(PDF\)](#)

General

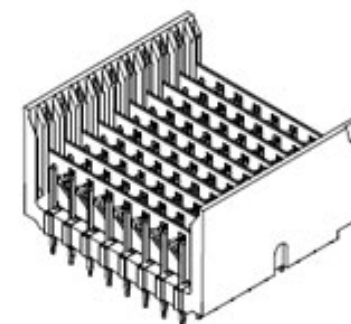
| | |
|-------------------------------|---|
| Product Family | Backplane Connectors |
| Series | <u>76134</u> |
| Application | Backplane |
| Application Tooling Documents | TM-622010999-001 |
| Comments | No Keying Position |
| Component Type | PCB Header |
| Overview | <u>VHDM H-Series Backplane Connectors</u> |
| Product Name | VHDM H-Series |
| UPC | 884982231771 |

Physical

| | |
|--------------------------------|--------------------------------|
| Circuits (Loaded) | 80 |
| Circuits (maximum) | 80 |
| Color - Resin | Black |
| Durability (mating cycles max) | 200 |
| First Mate / Last Break | No |
| Guide to Mating Part | Yes |
| Keying to Mating Part | None |
| Material - Metal | Copper Alloy |
| Material - Plating Mating | Gold |
| Material - Plating Termination | Matte Tin |
| Material - Resin | High Temperature Thermoplastic |
| Net Weight | 6.660/g |
| Number of Columns | 10 |
| Number of Pairs | Open Pin Field |
| Number of Rows | 8 |
| Orientation | Vertical |
| PC Tail Length | 1.83mm |
| PCB Locator | No |
| PCB Retention | None |
| Packaging Type | Tube |
| Pitch - Mating Interface | 2.00mm |
| Pitch - Termination Interface | 1.00mm |
| Plating min - Mating | 0.762µm |
| Plating min - Termination | 0.762µm |
| Polarized to PCB | Yes |
| Stackable | No |
| Surface Mount Compatible (SMC) | Yes |
| Temperature Range - Operating | -55° to +85°C |
| Termination Interface: Style | Through Hole - Compliant Pin |

Electrical

| | |
|-------------------------------|---------------------|
| Current - Maximum per Contact | 1.0A |
| Data Rate | 6.25 Gbps |
| Shield Type | Ground Plane Shield |
| Shielded | Yes |



Series image - Reference only

EU ELV

Not Relevant

EU RoHS

Compliant

REACH SVHC

Not Contained Per -
D(2021)4569-DC (8
July 2021)

Halogen-Free

Status

Low-Halogen

For more information, please visit [Contact US](#)

China ROHS

ELV

RoHS Phthalates

China RoHS

Green Image

Not Relevant

Not Contained

Search Parts in this Series

76134 Series

Mates With

76021 VHDM Board-to-Board Daughtercard Receptacle

Application Tooling | FAQ

Tooling specifications and manuals are found by selecting the products below. Crimp Height Specifications are then contained in the Application Tooling Specification document.

Global

| Description | Product # |
|---------------------|------------------|
| Signal Pin Inserter | <u>622015700</u> |
| Repair Tool | |
| 8-Row Pin and | <u>622015900</u> |
| Shield Repair Tool | |
| 8-Row Shield | <u>622016100</u> |
| Extraction Tool | |

Voltage - Maximum 120V AC (RMS)/DC

Solder Process Data

Lead-freeProcess Capability N/A

Material Info

Reference - Drawing Numbers

Packaging Specification PK-74060-003-001

Product Specification PS-74031-999-001

Sales Drawing SD-76134-001-001

This document was generated on 10/01/2021

PLEASE CHECK WWW.MOLEX.COM FOR LATEST PART INFORMATION