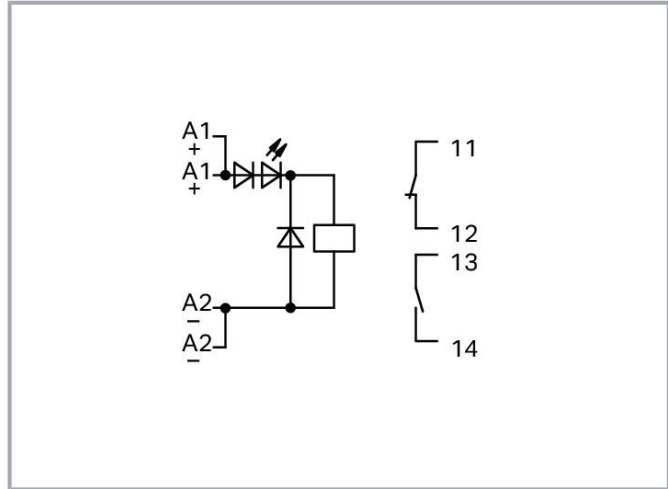


**Data sheet | Item number: 286-320/004-000**

Relay module; Nominal input voltage: 24 VDC; 1 break and 1 make contact;  
Railway; Red status indicator; Module width: 20 mm; gray



[www.wago.com/286-320/004-000](http://www.wago.com/286-320/004-000)



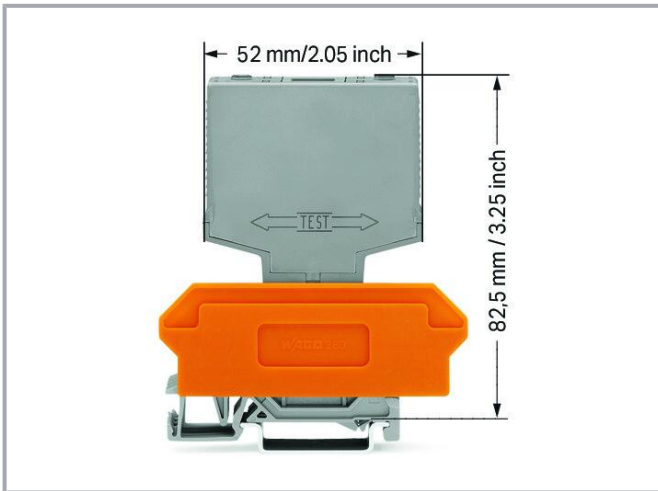
*i* Picture differs from the item.

Color: —

Subject to changes. Please also observe the further product documentation!

WAGO GmbH & Co. KG  
Hansastr. 27  
32423 Minden  
Phone: +49571 887-0 | Fax: +49571 887-169  
Email: [info.de@wago.com](mailto:info.de@wago.com) | Web: [www.wago.com](http://www.wago.com)

Do you have any questions about our products?  
We are always happy to take your call at +49 (571) 887-44222.



## Data

### Technical data

#### Control Circuit

Nominal input voltage $U_N$	DC 24 V
Input voltage range	-30 ... +25 %
Nominal input current at $U_N$	20 mA

#### Load circuit

Number of break/switch-off contacts	1
Number of make/switch-on contacts	1
Contact material (relay)	AgSnO <sub>2</sub>
Limiting continuous current	6 A
Inrush current (resistive) max.	(AC) 15 A / 1 s
Switching voltage (max.)	AC 250 V
Switching power (resistive) max.	AC 1500 VA
Pull-in time (typ.)	10 ms
Drop-out time (typ.)	4 ms
Bounce time (typ.)	1 ms

#### Signaling

Status indicator	Red LED
------------------	---------

Subject to changes. Please also observe the further product documentation!

## Safety and protection

Rated voltage	250 V
Rated surge voltage	4 kV
Pollution degree	2
Dielectric strength (control/load circuit) (AC, 1 min)	3 kVrms
Dielectric strength (open contact) (AC, 1 min)	1 kVrms
Dielectric strength (load/load circuit) (AC, 1 min)	1.5 kVrms
Protection type	IP20

## Physical data

Width	20 mm / 0.787 inches
Height from upper-edge of DIN-rail	82.5 mm / 3.248 inches
Depth	52 mm / 2.047 inches

## Mechanical data

Mounting type	Pluggable module for receptacle terminal blocks
---------------	---

## Material Data

Color	gray
Fire load	0.414 MJ
Weight	29.9 g

## Environmental requirements

Ambient temperature (operation at $U_N$ )	-25 ... +70 °C
Ambient temperature (storage)	-25 ... +70 °C
Processing temperature	-25 ... +50 °C
Relative humidity	5 ... 85 % (no condensation permissible)
Operating altitude (max.)	2000 m

## Standards and specifications

Standards/specifications	EN 60664-1
--------------------------	------------

## Commercial data

Product Group	6 (INTERFACE ELECTRONIC)
eCl@ss 10.0	27-37-16-01

Subject to changes. Please also observe the further product documentation!



eCl@ss 9.0	27-37-16-01
ETIM 8.0	EC001437
ETIM 7.0	EC001437
PU (SPU)	10 (1) pcs
Packaging type	box
Country of origin	DE
GTIN	4017332426923
Customs tariff number	85364900990

## Environmental Product Compliance

CAS-No.	7439-92-1 79-94-7
REACH Candidate List Substance	2,2',6,6'-tetrabromo-4,4'-isopropylidenediphenol Lead
RoHS Compliance Status	Compliant, With Exemption
RoHS Exemption	7(a) 7(c)-I 7(c)-II
SCIP notification number (Austria)	610345a0-916d-4e10-a358-1e6f85c3dbbb
SCIP notification number (Belgium)	e46e67b7-9799-49c8-9216-87539f99f8dc
SCIP notification number (Bulgaria)	aa9b4762-31f1-4f75-bbb5-81dd1ba04525
SCIP notification number (Czech Republic)	55e689a3-144c-4552-abf2-cab40c32c484
SCIP notification number (Denmark)	02a05754-be9c-4031-aa17-03899f4015cb
SCIP notification number (Finland)	8e9a5848-167c-44a8-aa61-c86d6d287e86
SCIP notification number (France)	c25fbdb2-eb64-49e6-bd57-798fe9a34dee
SCIP notification number (Germany)	641e9fcb-9af4-48c1-ab2f-6f7251da2952
SCIP notification number (Hungary)	e27f81d5-cddb-40e4-a0fe-3448cf4e1057
SCIP notification number (Italy)	7206583b-b73e-427a-81e3-f098457f4db3
SCIP notification number (Netherlands)	fcaaa6cb-5d4e-4fd6-a609-720c08cbc672
SCIP notification number (Poland)	6fcaba71-86ba-473f-8ce1-f7c20bd08ff5
SCIP notification number (Romania)	617886a9-9671-4421-a55f-b4a493b95858
SCIP notification number (Sweden)	571c9552-ed34-491b-ad09-e4fc1195bf0d

## Approvals / Certificates

### General approvals

Logo	Approval	Additional Approval Text	Certificate name
	<b>EAC</b> Brjansker Zertifizierungsstelle	TP TC 004/2011	EAC RU C-DE.AM02.

Subject to changes. Please also observe the further product documentation!

WAGO GmbH & Co. KG  
Hansastr. 27  
32423 Minden  
Phone: +49571 887-0 | Fax: +49571 887-169  
Email: [info.de@wago.com](mailto:info.de@wago.com) | Web: [www.wago.com](http://www.wago.com)

Do you have any questions about our products?  
We are always happy to take your call at +49 (571) 887-44222.



## Optional accessories

### Terminal blocks

Terminal block for pluggable modules



**Item no.: 280-628**

Terminal block for pluggable modules; 8-pole; with 4-conductor terminal blocks; with orange separator; [www.wago.com/280-628](http://www.wago.com/280-628) for DIN-rail 35 x 15 and 35 x 7.5; 2.5 mm<sup>2</sup>; CAGE CLAMP®; 2,50 mm<sup>2</sup>; gray



**Item no.: 280-638**

Terminal block for pluggable modules; 8-pole; with 2-conductor terminal blocks; with orange separator; [www.wago.com/280-638](http://www.wago.com/280-638) for DIN-rail 35 x 15 and 35 x 7.5; 2.5 mm<sup>2</sup>; CAGE CLAMP®; 2,50 mm<sup>2</sup>; gray



**Item no.: 280-764**

Terminal block for pluggable modules; 8-pole; with 4-conductor terminal blocks; with marker carrier; [www.wago.com/280-764](http://www.wago.com/280-764) with orange separator; for DIN-rail 35 x 15 and 35 x 7.5; 2.5 mm<sup>2</sup>; CAGE CLAMP®; 2,50 mm<sup>2</sup>; gray

### Marking accessories

Marker



**Item no.: 209-701**

WSB marking card; as card; not stretchable; plain; snap-on type; white

[www.wago.com/209-701](http://www.wago.com/209-701)

## Downloads

### Documentation

#### Bid Text

286-320/004-000 X81 - Datei	2019 Feb 19	xml 3.9 kB	Download
--------------------------------	-------------	---------------	----------

286-320/004-000 doc - Datei	2015 Mar 27	doc 27.1 kB	Download
--------------------------------	-------------	----------------	----------

#### Instruction Leaflet

		pdf 1.3 MB	Download
--	--	---------------	----------

#### Additional Information

Disposal and Recycling Electrical and electronic equipment, Batteries, Packaging	V 1.1.0 2022 Aug 18	pdf 2.2 MB	Download
---	------------------------	---------------	----------

Subject to changes. Please also observe the further product documentation!

## CAD/CAE-Data

### CAE data

WSCAD Universe 286-320/004-000	<a href="#">URL</a>	<a href="#">Download</a>
WSCAD Universe 286-320/004-000	<a href="#">URL</a>	<a href="#">Download</a>

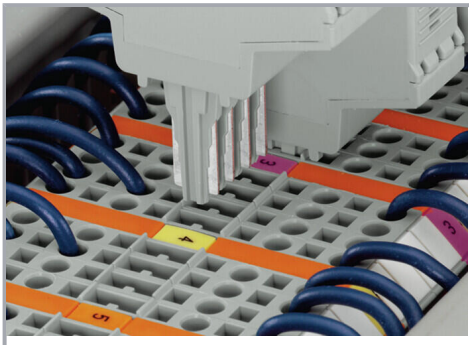
## Environmental Product Compliance

### Compliance Search

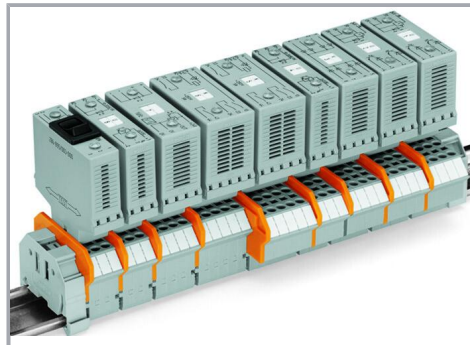
Environmental Product Compliance 286-320/004-000	<a href="#">URL</a>	<a href="#">Download</a>
Relay module; Nominal input voltage: 24 VDC; 1 break and 1 make contact; Railway; Red status indicator; Module width: 20 mm; gray		

## Installation Notes

### Installation



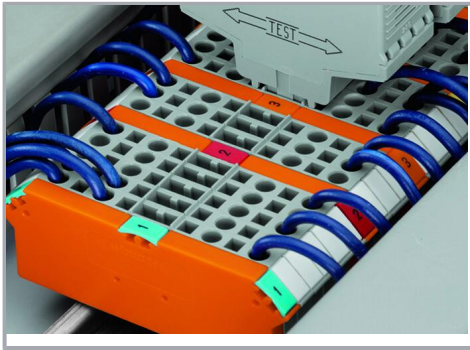
Coding ensures correct polarity.



Pluggable electronic modules on 2- or 4-conductor carrier terminal blocks

### Marking

Subject to changes. Please also observe the further product documentation!



Marking via WMB Multi Marking System.

### Testing



Function testing via touch-proof test slots

Subject to changes. Please also observe the further product documentation!