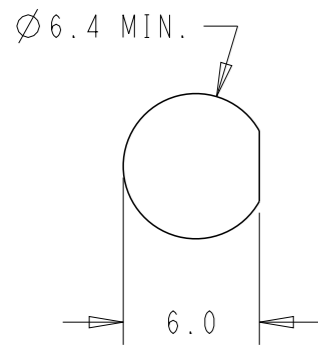
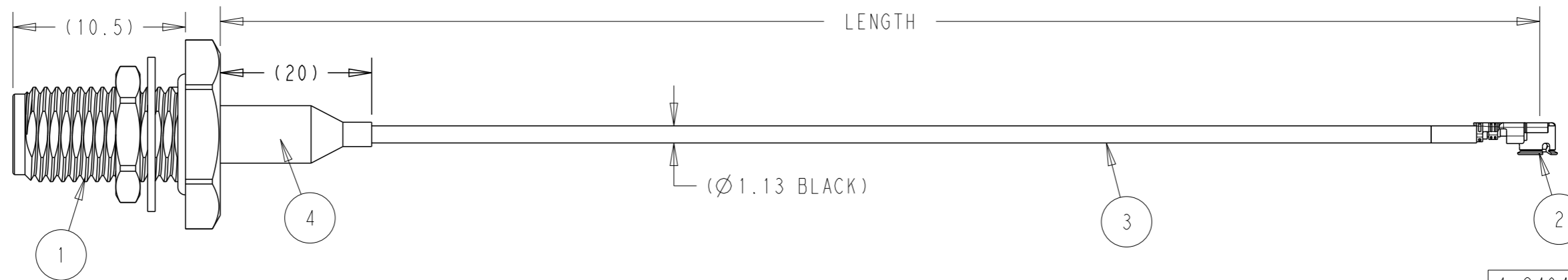
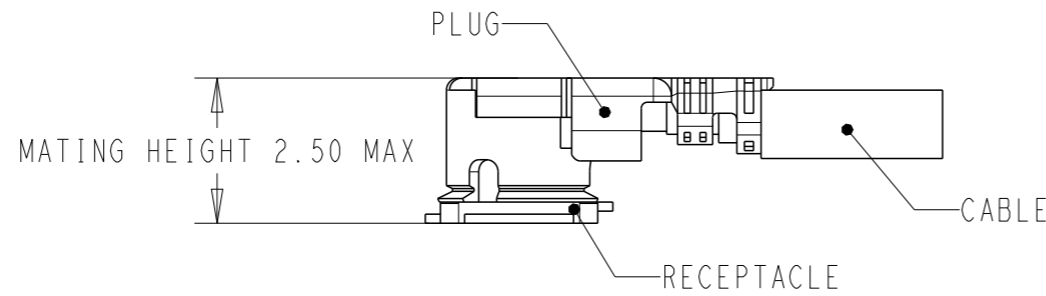


P	LTR	DESCRIPTION	DATE	DWN	APVD
	A	GTP ECN-22-148830	22APR2022	JZ	WKH
	A1	ECR-22-141436	07JUN2022	JZ	WKH



RECOMMEND PANEL HOLE



- NOTES:
1. MATERIAL AND PROCESSING MUST MEET REQUIREMENTS OF TEC-138-702
 2. PRODUCT RATING:
CHARACTERISTIC IMPEDANCE: 50 OHMS Normal
FREQUENCY RANGE: DC TO 9GHz
 3. CABLE ASSEMBLY TO BE 100% OPEN, SHORT
 4. SMA NUT AND WASHER ARE SEPARATE PARTS, AND SHOULD BE PUT IN SEPARATE BAGS
SMA BODY, CC, WASHER, NUT ARE GOLD PLATING
 5. UMCC GEN1 CAN MATE WITH I-PEX MHF SERIES AND HIROSE U.FL SERIES

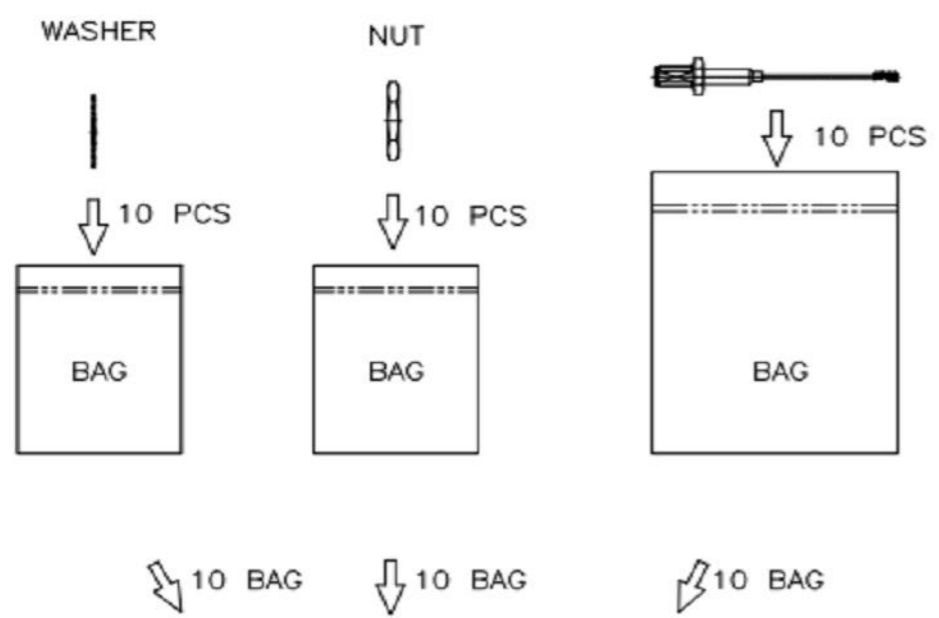
1-2404600-0	1000±10
2404600-9	750±5
2404600-8	500±5
2404600-7	350±5
2404600-6	300±3
2404600-5	250±3
2404600-4	200±3
2404600-3	150±3
2404600-2	100±3
2404600-1	50+3
P/N	LENGTH

PC	HEAT SHRINK TUBE, BLACK	4
LENGTH	COAX CABLE 1.13MM BLACK	3
1PC	UMCC GEN1, IPEX 20278-112R-13 OR EQUIVALENT	2
1PC	SMA BULKHEAD JACK WITH O-RING	1
QTY	DESCRIPTION	ITEM

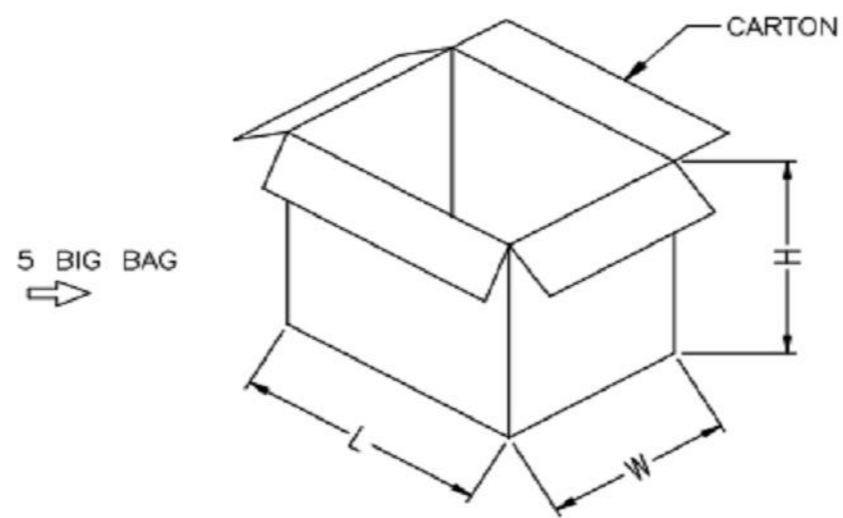
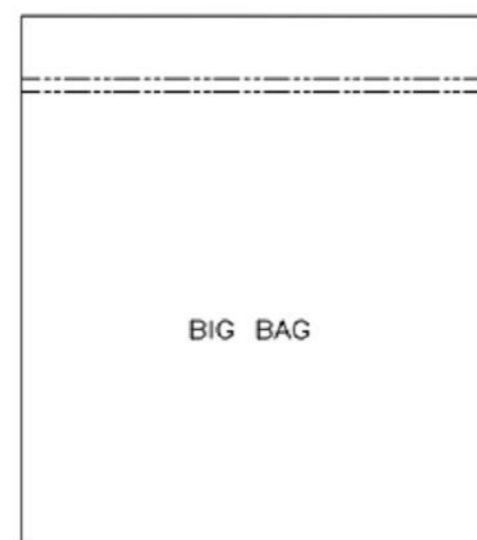
THIS DRAWING IS A CONTROLLED DOCUMENT.		DWN JZ 03DEC2021		
DIMENSIONS: mm		CHK WKH 03DEC2021		
TOLERANCES UNLESS OTHERWISE SPECIFIED:		APVD -	NAME RF CA, UMCC GEN1 TO SMA BH JACK WITH 1.13MM CABLE WITH O-RING, IP67 FOR SMA FLANGE	
0 PLC ±-		PRODUCT SPEC -	SIZE A3	
1 PLC ±-		APPLICATION SPEC -	CAGE CODE 00779	DRAWING NO C-2404600
2 PLC ±-		WEIGHT -	RESTRICTED TO -	
3 PLC ±-		CUSTOMER DRAWING	SCALE 1:1	SHEET 1 OF 2
4 PLC ±-			REV A1	
ANGLES ±-				
FINISH -				

REVISIONS

P	LTR	DESCRIPTION	DATE	DWN	APVD
	-	SEE SHEET 1	-	-	-



- NOTES :
- DIMENSION:
 - CARTON: L=320, W=300, H=180
 - QUANTITY:
 - 2.1 PRIMARY PACKING: 10 PCS/BAG(10PCS)
 - 2.2 SECONDARY PACKING: 10 BAG/BIG BAG(100PCS)
 - 2.3 OUTER PACKING: 5 BIG BAG/CARTON(500PCS)



THIS DRAWING IS A CONTROLLED DOCUMENT.		DWN JZ	03DEC2021	TE Connectivity	
		CHK WKH	03DEC2021		
DIMENSIONS: mm		TOLERANCES UNLESS OTHERWISE SPECIFIED:		NAME RF CA, UMCC GEN1 TO SMA BH JACK WITH 1.13MM CABLE WITH O-RING, IP67 FOR SMA FLANGE	
		0 PLC ±-		PRODUCT SPEC	
		1 PLC ±-		-	
MATERIAL		2 PLC ±-		APPLICATION SPEC	
		3 PLC ±-		-	
FINISH		4 PLC ±-		WEIGHT	
		ANGLES ±-		-	
-		-		SIZE A3	
-		-		CAGE CODE 00779	
				DRAWING NO C=2404600	
				RESTRICTED TO -	
CUSTOMER DRAWING				SCALE 1:1	SHEET 2 OF 2
				REV A1	