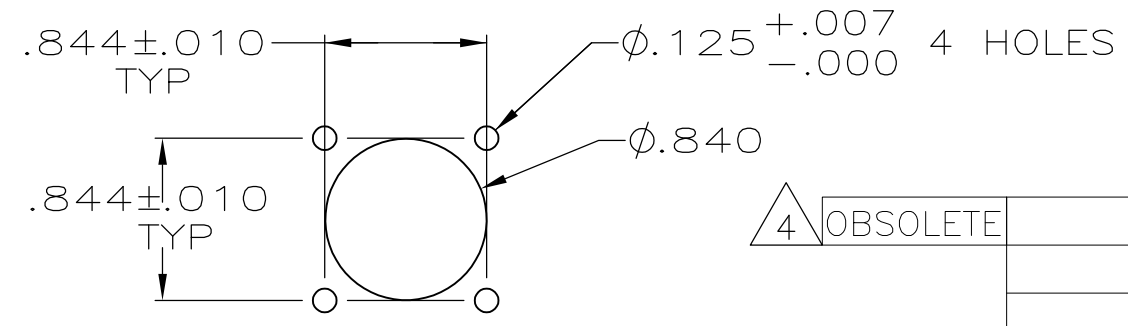
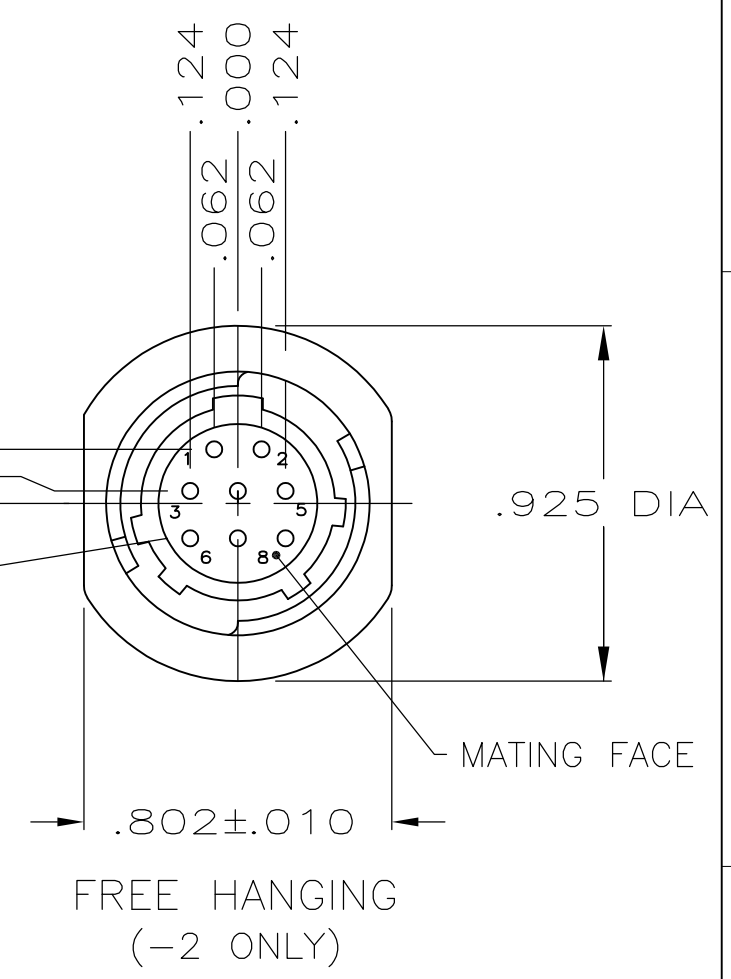
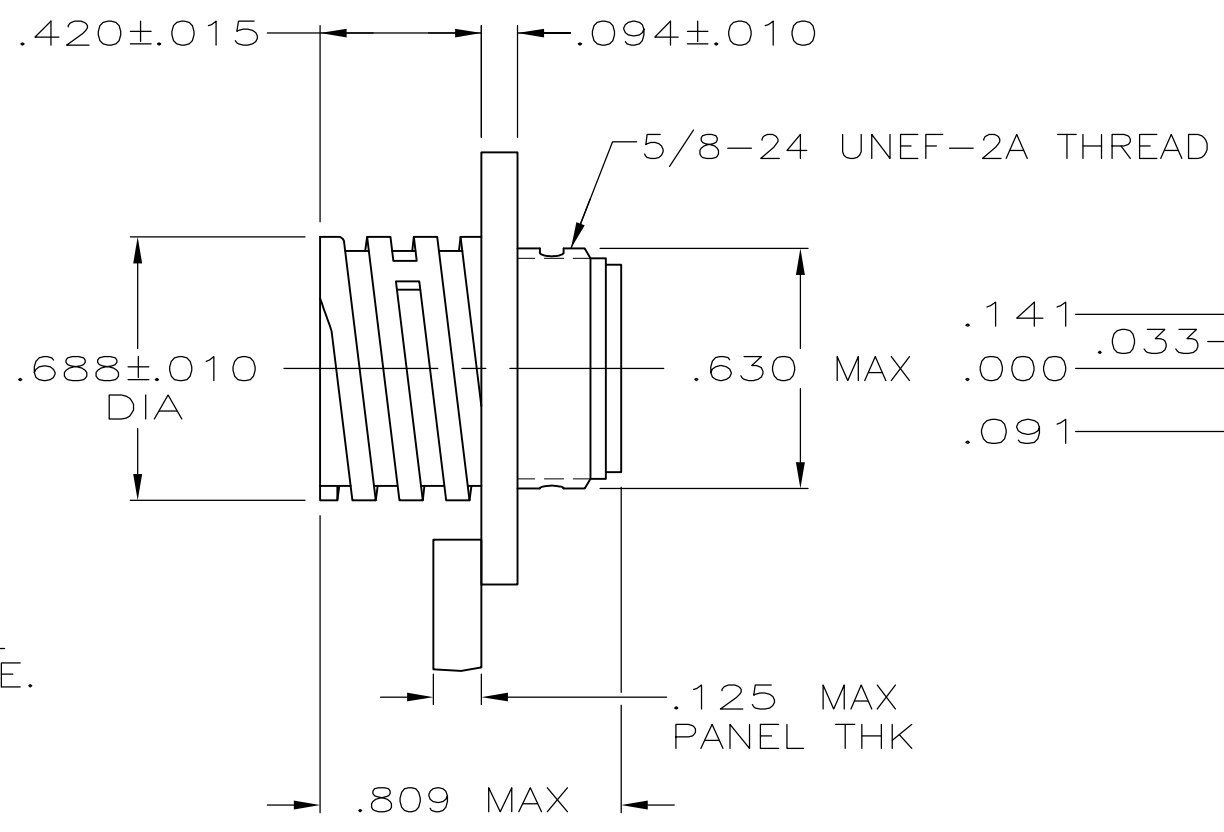
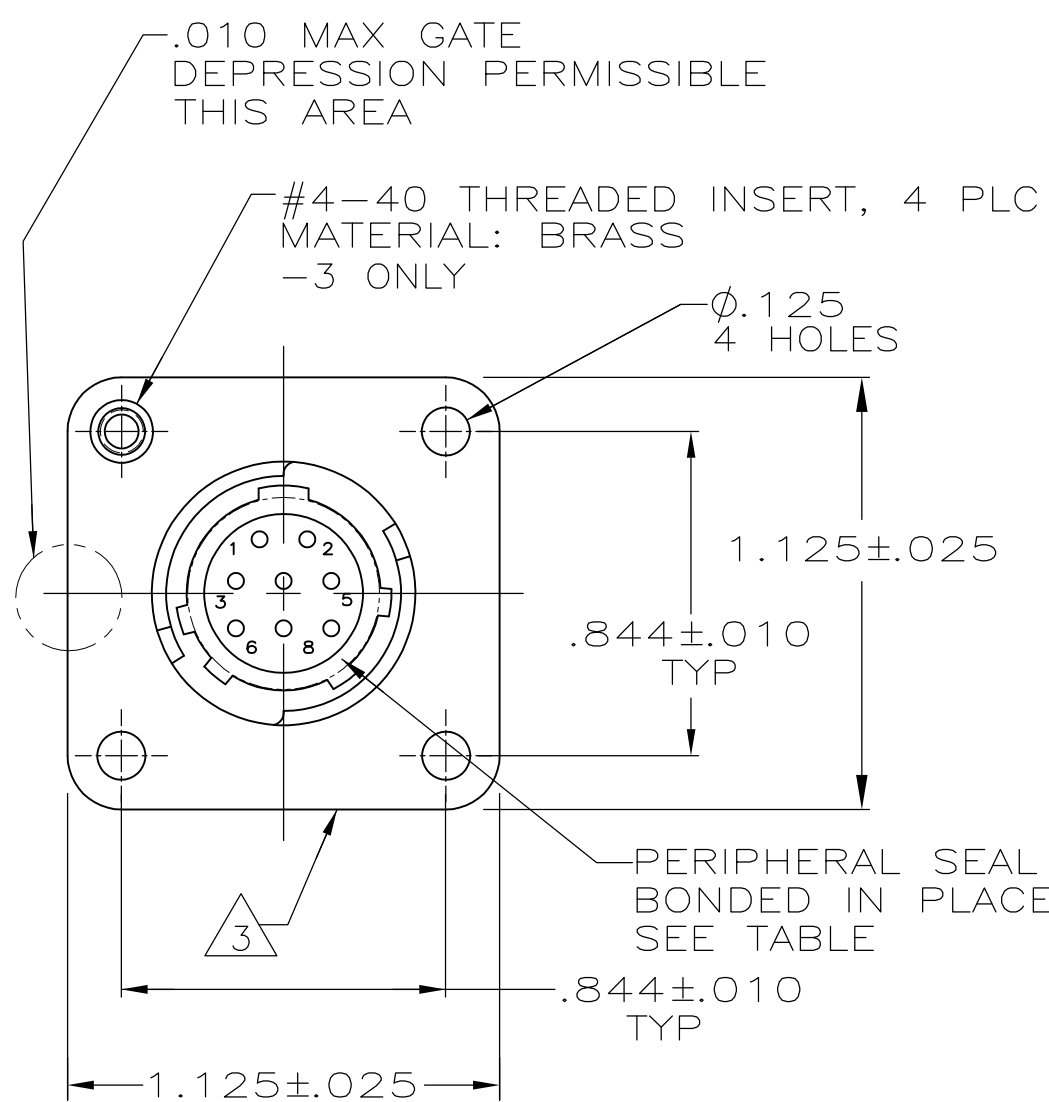


THIS DRAWING IS UNPUBLISHED. RELEASED FOR PUBLICATION
 © COPYRIGHT - By - ALL RIGHTS RESERVED.

LOC	DIST	REVISIONS					
FT	0	P	LTR	DESCRIPTION	DATE	DWN	APVD
			N4	REVISED PER ECO-13-019645	14DEC2013	KH	MZ



PANEL CUTOUT SCALE 1:1

4 OBSOLETE	-	YES	YES	205841-4
	205841-1	YES	NO	205841-3
	205841-2	NO	NO	205841-2
	205841-1	NO	NO	205841-1
	PART NUMBER LOCATED ON FLANGE EDGE	THREADED INSERTS	PERIPHERAL SEAL	PART NUMBER

- 1 CONTACT CAVITIES IDENTIFIED BY CHARACTERS ON FRONT AND REAR FACES OF CONNECTOR.
- 2 WILL ACCEPT (8) SIZE 20 PIN CONTACTS.
- 3 AMP LOGO AND PART NUMBER LOCATED ON ANY FLANGE EDGE SEE CHART FOR PART NUMBER
- 4 OBSOLETE PARTS: OBSOLETE CIS STREAMLINING PER D.RENAUD/D.SINISI

THIS DRAWING IS A CONTROLLED DOCUMENT.		DWN	4/5/91		 TE Connectivity
		CHK	7-24-92		
		APVD	-		
		NAME	-		
DIMENSIONS: INCHES	TOLERANCES UNLESS OTHERWISE SPECIFIED:	PRODUCT SPEC		RECEPTACLE ASSEMBLY, STD SEX, SERIES 2, 11-8, CPC	
	0 PLC ± -	108-10024			
	1 PLC ± -	APPLICATION SPEC			
	2 PLC ± -	SIZE	CAGE CODE	DRAWING NO	RESTRICTED TO
	3 PLC ± .005			A300779	C-205841
	4 PLC ± -	WEIGHT		-	
	ANGLES ± -	CUSTOMER DRAWING			
MATERIAL	FINISH	SCALE		SHEET	REV
THERMOPLASTIC, BLK	-	2:1		1 OF 1	N4